

↗ DOMETIC REFRIGERATION DESIGN

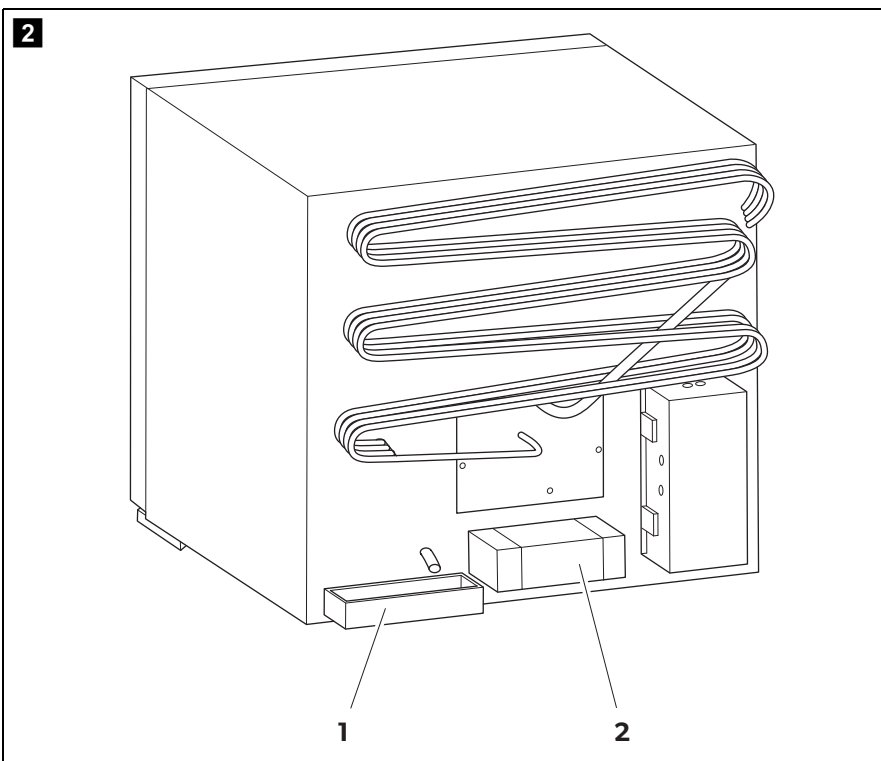
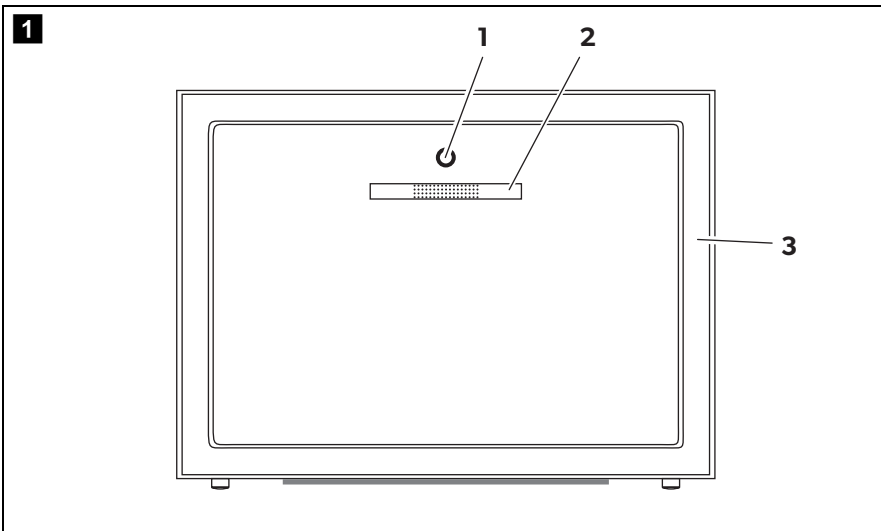


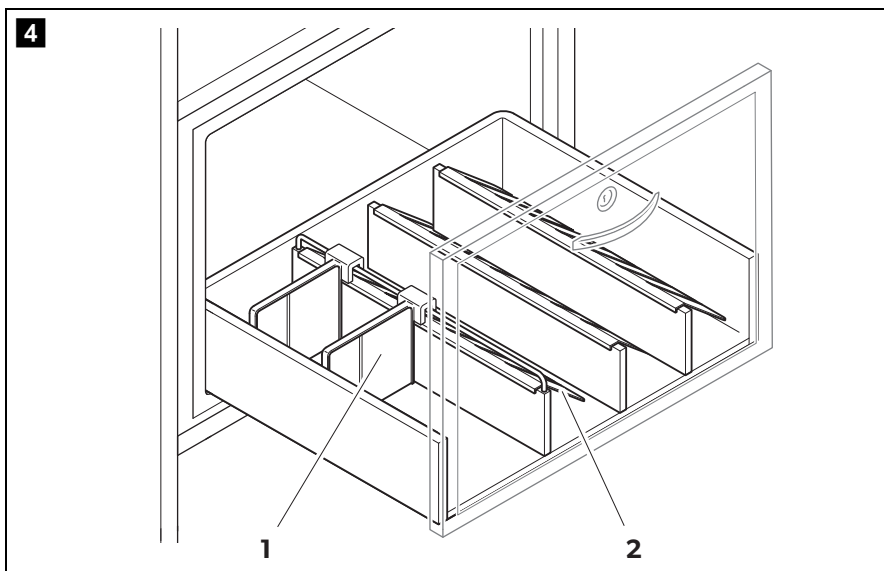
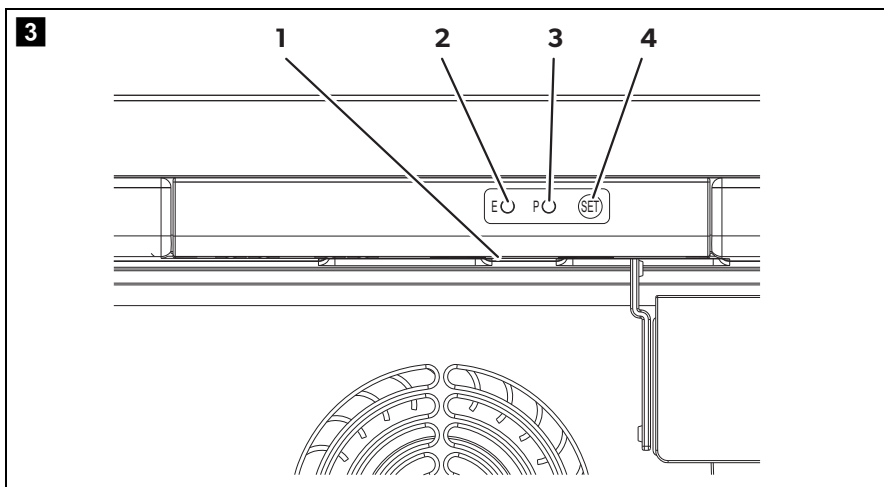
DM 20D, DM 20F

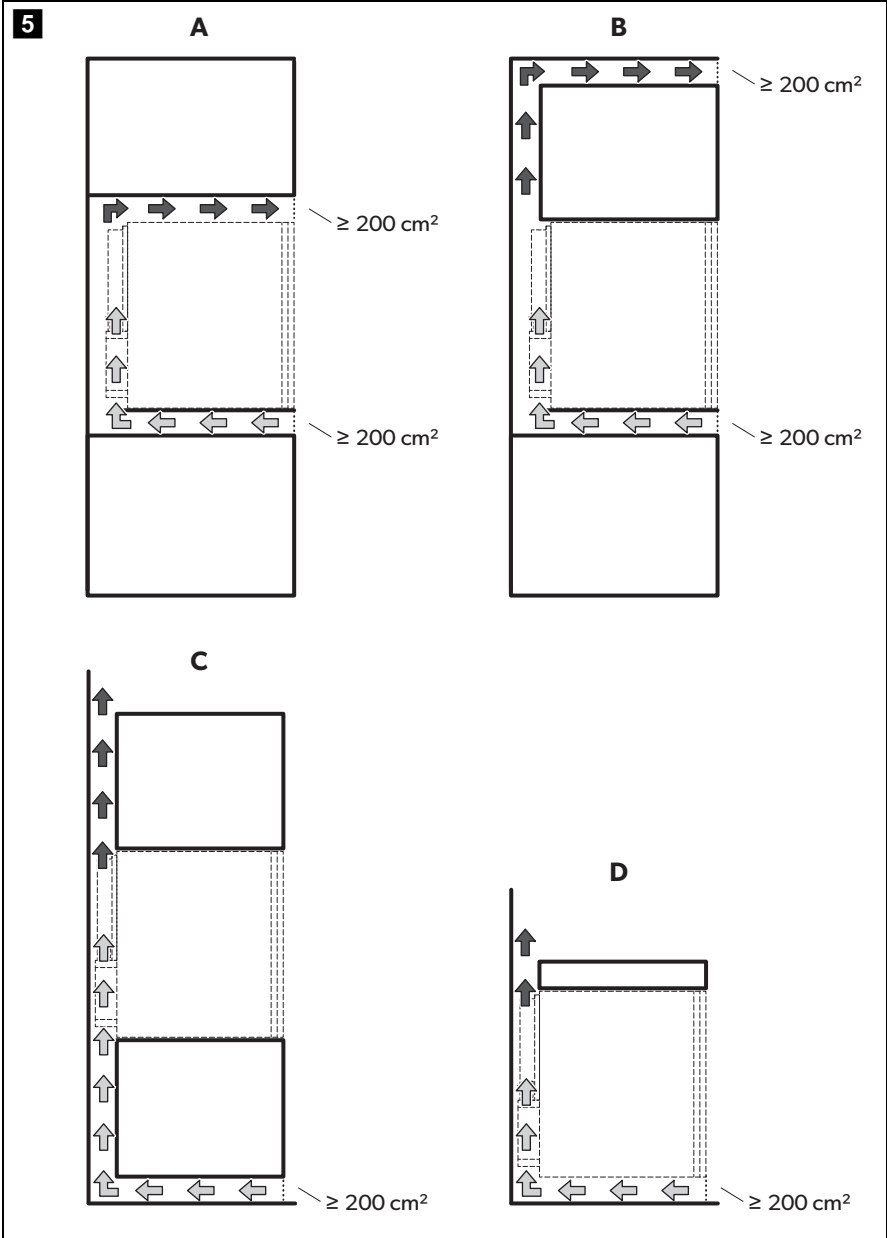
EN	Drawer Minibar Operating manual	11
DE	Schubfach-Minibar Bedienungsanleitung	24
FR	Minibar à tiroir Notice d'utilisation	38
ES	Cajón minibar Instrucciones de uso	52
PT	Minibar de gaveta Manual de instruções	66
IT	Cassetto del minibar Istruzioni per l'uso	80
NL	Lade minibar Gebruiksaanwijzing	94

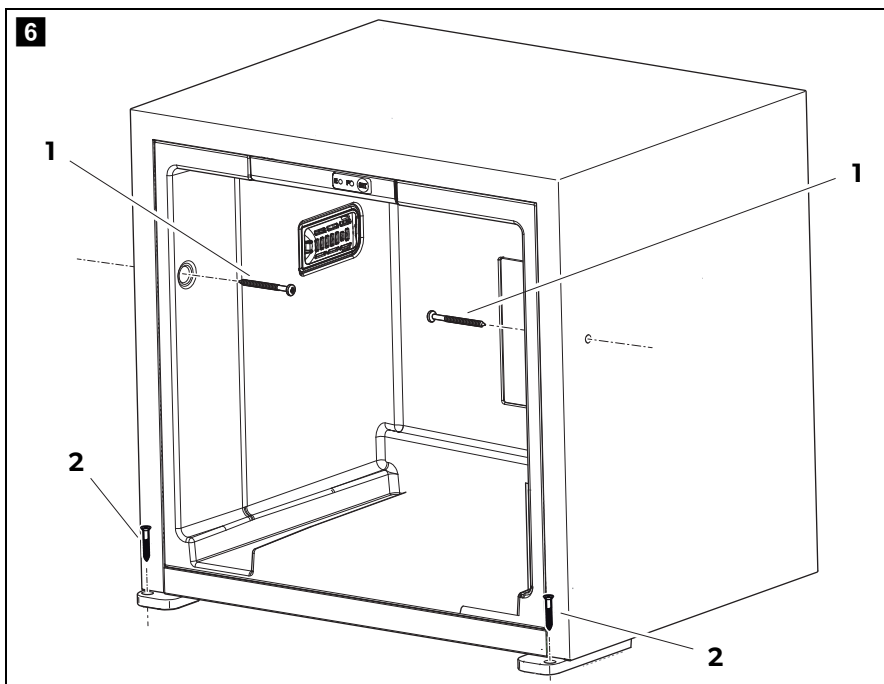
DA	Skuffe minibar Betjeningsvejledning	108
SV	Låda till minibar Bruksanvisning	122
NO	Uttrekkbar minibar Bruksanvisning	136
FI	Vetolaatikkominibaari Käyttöohje	150
RU	Минибар с выдвигаемым ящиком Инструкция по эксплуатации	164
PL	Minibary szufladowe Instrukcja obsługi	179
SK	Minibar Drawer Návod na obsluhu	193
CS	Minibar Drawer Návod k obsluze	207
HU	Fiókba szerelt minibár Használati utasítás	221

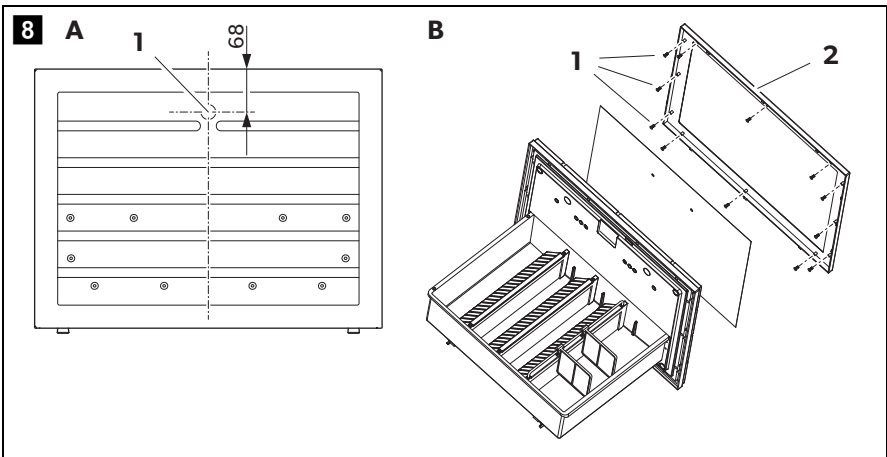
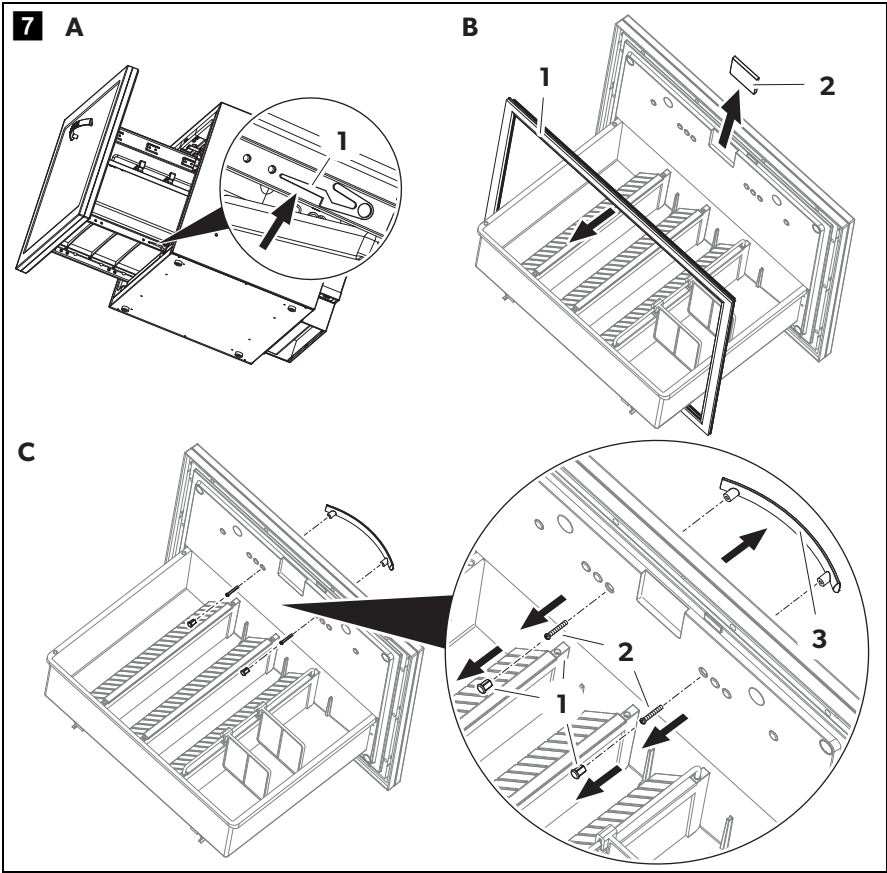
© 2020 Dometic Group. The visual appearance of the contents of this manual is protected by copyright and design law. The underlying technical design and the products contained herein may be protected by design, patent or be patent pending. The trademarks mentioned in this manual belong to Dometic Sweden AB. All rights are reserved.

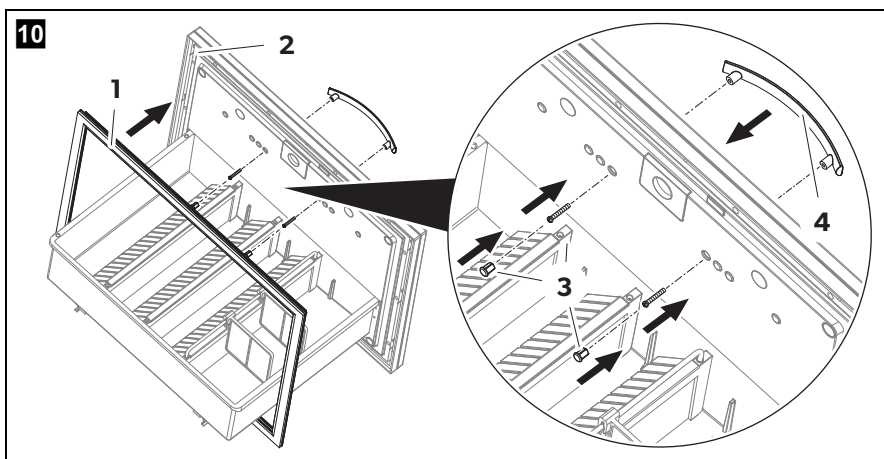
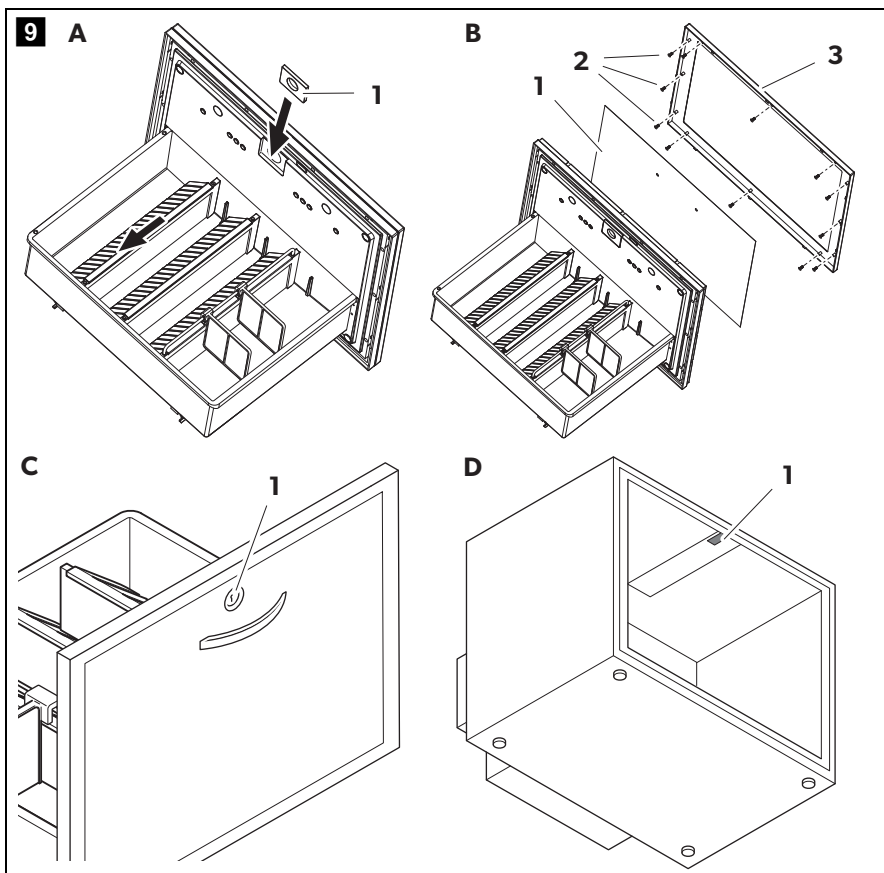


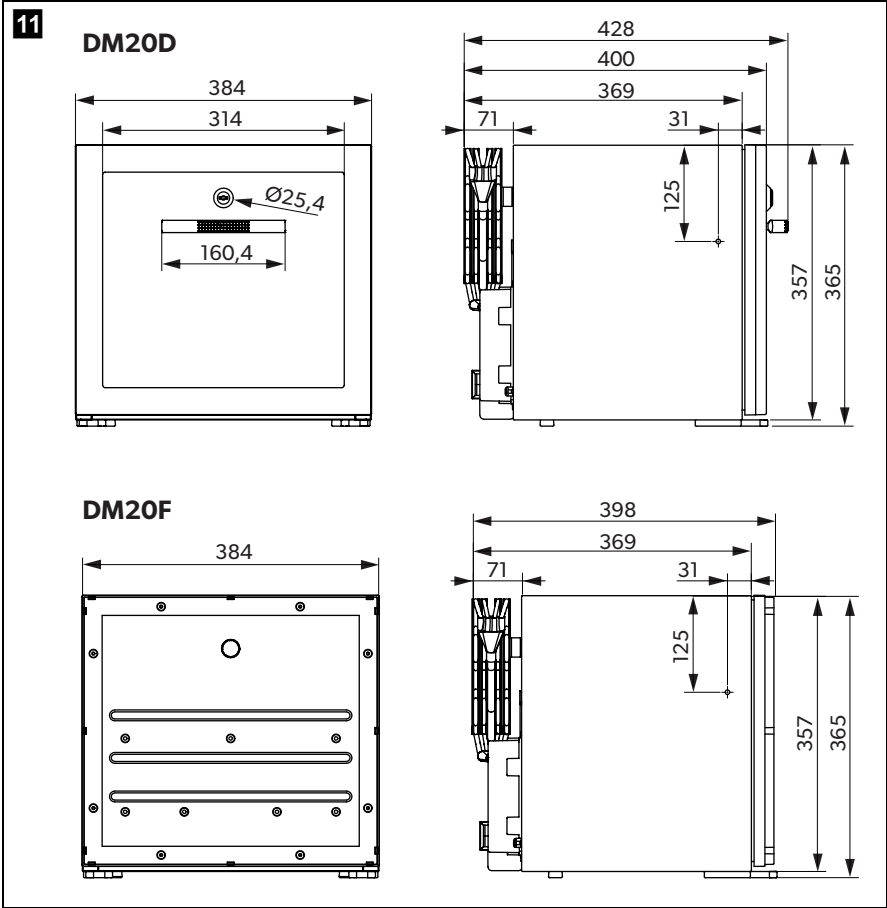




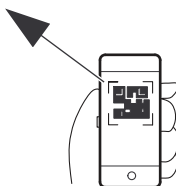
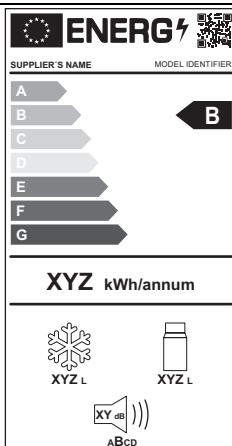








12



eprel.ec.europa.eu

Please read these instructions carefully and follow all instructions, guidelines, and warnings included in this product manual in order to ensure that you install, use, and maintain the product properly at all times. These instructions **MUST** stay with this product.

By using the product, you hereby confirm that you have read all instructions, guidelines, and warnings carefully and that you understand and agree to abide by the terms and conditions as set forth herein. You agree to use this product only for the intended purpose and application and in accordance with the instructions, guidelines, and warnings as set forth in this product manual as well as in accordance with all applicable laws and regulations. A failure to read and follow the instructions and warnings set forth herein may result in an injury to yourself and others, damage to your product or damage to other property in the vicinity. This product manual, including the instructions, guidelines, and warnings, and related documentation, may be subject to changes and updates. For up-to-date product information, please visit www.domestic.com.

Contents

1	Explanation of symbols	11
2	Safety instructions	12
3	Scope of delivery	15
4	Intended use	15
5	Technical description	16
6	Installation	18
7	Operation	20
8	Troubleshooting	21
9	Cleaning and maintenance	22
10	Warranty	22
11	Disposal	22
12	Technical data	23

1 Explanation of symbols



DANGER!

Safety instruction: Indicates a hazardous situation that, if not avoided, will result in death or serious injury.



WARNING!

Safety instruction: Indicates a hazardous situation that, if not avoided, could result in death or serious injury.

**CAUTION!**

Safety instruction: Indicates a hazardous situation that, if not avoided, could result in minor or moderate injury.

**NOTICE!**

Indicates a situation that, if not avoided, can result in property damage.

**NOTE**

Supplementary information for operating the product.

2 Safety instructions

2.1 General safety



WARNING! Failure to obey these warnings could result in death or serious injury.

Electrocution hazard

- Ensure that the minibar has been installed by a qualified technician in accordance with the Dometic installation manual.
- Do not operate the minibar if it is visibly damaged.
- If this minibar's power cable is damaged, it must be replaced by the manufacturer, service agent or a similarly qualified person in order to prevent safety hazards.
- This minibar may only be repaired by qualified personnel. Inadequate repairs may cause serious hazards.

Fire hazard

- The refrigerant in the refrigerant circuit is highly flammable. In the event of any damage to the refrigerant circuit:
 - Switch off the minibar.
 - Avoid naked flames and sparks.
 - Air the room well.

Explosion hazard

- Do not store any explosive substances, such as spray cans with propellants, in the minibar.

Health hazard

- This minibar can be used by children aged from 8 years and above and persons with reduced physical, sensory or mental capabilities or lack of experience and knowledge if they have been given supervision or instruction concerning use of the minibar in a safe way and understand the hazards involved.
- Children shall not play with the minibar.
- Cleaning and user maintenance shall not be made by children without supervision.
- Children aged from 3 to 8 years are allowed to load and unload the minibar.



CAUTION! Failure to obey these cautions could result in minor or moderate injury.

Risk of crushing

- Do not put your fingers into the hinge.

Health hazard

- Foodstuff may only be stored in its original packaging or in suitable containers.

**NOTICE! Damage hazard**

- Check that the voltage specification on the type plate is the same as that of the power supply.
- The minibar is not suitable for storing substances which are caustic or contain solvents.
- The insulation of the cooling device contains flammable cyclopentane and requires special disposal procedures. Deliver the cooling device at the end of its life-cycle to an appropriate recycling center.
- Keep the drainage outlet clean at all times.
- Do not open the refrigerant circuit under any circumstances.
- Only carry the minibar upright.

2.2 Operating the minibar safely



DANGER! Failure to obey these warnings will result in death or serious injury.

Electrocution hazard

- Do not touch exposed cables with your bare hands.



CAUTION! Failure to obey these cautions could result in minor or moderate injury.

Electrocution hazard

- Before starting the minibar, ensure that the power supply line and the plug are dry.

Health hazard

- Make sure that you only put items in the minibar which may be chilled at the selected temperature.
- Food may only be stored in its original packaging or in suitable containers.
- Opening the door for long periods can cause significant increase of the temperature in the compartments of the minibar.
- Clean regularly surfaces that can come in contact with food and accessible drainage systems.
- If the minibar is left empty for long periods:
 - Switch off the minibar.
 - Defrost the minibar.
 - Clean and dry the minibar.
 - Leave the door open to prevent mould developing within the minibar.



NOTICE! Damage hazard

- Only store heavy objects such as bottles or cans in the minibar door or on the bottom shelf.
- Do not use electrical devices inside the minibar unless they are recommended by the manufacturer for that purpose.
- Do not place it near naked flames or other heat sources (heaters, direct sunlight, gas ovens etc.).
- Ensure that the ventilation vents are not covered.
- Never immerse the minibar in water.
- Protect the minibar and the cable against heat and moisture.
- Make sure that foodstuffs do not touch the walls of the cooling area.



NOTE

- For ambient temperatures of +15 °C to +25 °C, select the average temperature setting.

3 Scope of delivery

The following main alternatives are obtainable:

- Minibar DM20D with door panel, without lock
- Minibar DM20D with door panel, with lock
- Minibar DM20F without door panel, without lock
- Minibar DM20F without door panel, with lock

Quantity	Description	
1	Minibar	
1	AC connection cable	
2	Screw Ø 4 x 45 mm (Installation)	
2	Screw Ø 4 x 25 mm (Installation of the front feet)	
2	Screw M4 x 45 mm (Handle installation)	
2	Plug (Installation)	
1	Handle	DM20D only
2	Plug (Handle installation)	DM20D only
2	Plug (Wooden panel)	DM20F wooden version only
1	Lock decor (Wooden panel)	DM20F wooden version with lock only
2	Key	Lock version only
1	Installation and Operating manual	

4 Intended use

The refrigeration appliance (also referred to as minibar) is designed for operation in enclosed buildings, such as:

- In staff kitchens in stores, offices and other work areas
- In the agricultural sector
- In hotels, motels and other accommodations
- In bed and breakfast establishments
- In catering businesses or similar wholesaler operations

The minibar is not suitable for installation in caravans or mobile homes.

The minibar is intended for installation in a piece of cabinetry or an installation niche.

The minibar is designed exclusively for cooling and storing of beverages and foods in closed containers.

The minibar is not suitable for storing fresh foods and medicine or freezing food-stuffs.

This minibar is only suitable for the intended purpose and application in accordance with these instructions.

This manual provides information that is necessary for proper installation and/or operation of the minibar. Poor installation and/or improper operating or maintenance will result in unsatisfactory performance and a possible failure.

The manufacturer accepts no liability for any injury or damage to the product resulting from:

- Incorrect assembly or connection, including excess voltage
- Incorrect maintenance or use of spare parts other than original spare parts provided by the manufacturer
- Alterations to the product without express permission from the manufacturer
- Use for purposes other than those described in this manual

Dometic reserves the right to change product appearance and product specifications.

5 Technical description

The minibar has a drawer with room for 12 cans (plus snacks bars).

On delivery the provided shelves and compartments are positioned so that the device can be operated in an energy-efficient manner.

The minibar DM20D comes with a anthracite panel and pull handle.

The minibar DM20F is delivered without panel and is prepared for fitting the hotel's own door decor.

Its cooling system is a non-wearing Peltier cooling system.

A lock is optionally available.

5.1 Description of the device

Front side

No. in fig. 1 , page 3	Description
1	Lock (optional)
2	Handle (DM20D only)
3	Door panel (DM20D only)

Rear side

No. in fig. 2 , page 3	Description
1	Drip tray
2	Mains adapter

Control panel (inside the device)

No. in fig. 3 , page 4	Description
1	Lamp
2	Error LED
3	Status LED
4	Setting button

Main drawer

No. in fig. 4 , page 4	Description
1	Divider
2	Bottle finger

6 Installation



CAUTION! Health hazard

To avoid a hazard due to instability of the device, it must be fixed in accordance with the instructions.

6.1 Notes on mounting into furniture

You can mount the minibar in four ways into furniture. Choose your favoured alternative (fig. **5**, page 5).

Observe the following:

- The cut-out dimensions H x W x D are:
 - **DM20D**: 385 x 404 x 428 mm
 - **DM20F**: 385 x 404 x 426 + d mm
d is the thickness of the hotel's own decor
 - The clearance between the minibar's back and the furniture wall should be approx. 10 mm.
 - The ventilation openings for the chosen alternative have to be produced (fig. **5**, page 5).
 - Air passing through the inlet air duct must not be heated by any heat sources (heaters, direct sunlight, gas ovens etc.).
- Fix the refrigerator in place using suitable screws (fig. **6** 1 and 2, page 6).

6.2 Connecting the minibar electrically

- Plug the AC connection cable into the AC voltage socket and connect it to the AC mains supply.
- ✓ The status LED lights up.
- ✓ The minibar starts cooling the interior.

6.3 Mounting hotel's own door decor (DM20F only)

The hotel's own door decor has to comply with the following requirements:

- Maximum weight: 2 kg
 - Maximum thickness: 14 mm
- Fasten the decor with four screws.

6.4 Mounting the lock (lock version only)

- Drill a hole with a diameter of 35 mm into the decor.
- Mount the lock together with the lock decor.

6.5 Mounting the lock (no lock version only)

Disassembling the drawer (fig. 7, page 7)

- Open the drawer completely.
- Press the rail lock (A 1).
- Pull the drawer out of the cabinet.
- Remove the gasket (B 1).
- Remove the lock cover (B 2).
- Remove the plugs (C 1) from the screws of the door handle (C 3).
- Unscrew the screws (C 2) of the door handle (C 3).
- Remove the door handle (C 3).

Drilling the holes (fig. 8, page 7)

- Drill a hole with a diameter of 25 mm through the decor and the door (A 1).
- Unscrew the screws (B 1) of the decor frame (B 2).
- Remove the decor frame (B 2).

Assembling the lock (fig. 9, page 8)

- Put the new lock cover (A 1) into place.
- Put the decor (B 1) into the decor frame (B 3).
- Screw the decor frame (B 3) onto the door (B 2).
- Install the door lock (C 1).
- Install the lock catch in the cabinet (D 1).

Assembling the drawer (fig. 10, page 8)

- Push the gasket (1) on the decor frame (2).
- Screw the door handle (4) onto the door.

- Push the plugs **(3)** on the screws of the door handle **(4)**.
- Push the drawer into the cabinet.

7 Operation



NOTICE! Damage hazard

The lamp can only be replaced by the manufacturer, a service agent or similarly qualified person to avoid hazard.

7.1 Saving energy

- Only open the minibar as often and for as long as necessary.
- Allow warm food to cool down first before placing it in the device to keep cool.
- Avoid unnecessarily low temperature settings.
- For optimal energy consumption, position the shelves and drawers according to their position on delivery.
- On a regularly basis, make sure the door seal still fits properly.
- Clean dust and dirt from the condenser at regular intervals.

7.2 Using the minibar

The minibar starts cooling when connected to power. During normal operation the Status LED is glowing. If an error occurs the Error LED is blinking (see chapter “Troubleshooting” on page 21).

7.3 Setting the temperature

To avoid food waste, note the following:

- Keep temperature fluctuation as low as possible. Only open the minibar as often and for as long as necessary. Store the foodstuff in such a way that the air can still circulate well.
- The minibar is equipped with an automatic temperature regulation function. Select the average of the possible temperature values.
- Adjust the temperature to the quantity and type of the foodstuff.

The minibar is set by default to a cooling temperature of 7 °C at an ambient temperature of 25 °C.

You can use the setting button (fig. **3** 4, page 4) to set the cooling temperature to one of three values: 5 °C, 12 °C and 7 °C.

Thereby the temperature will be changed in the order 5 °C ... 12 °C ... 7 °C ... 5 °C etc.

- ▶ Press the setting button (fig. **3** 4, page 4) and keep it pressed for 5 s, until the lamp (fig. **3** 1, page 4) starts to blink.
- ▶ Press immediately the setting button (fig. **3** 4, page 4) again.
- ✓ The lamp (fig. **3** 1, page 4) indicates the setting temperature:
 - 5 °C: the lamp flashes five times in three intervals
 - 12 °C: the lamp flashes once in three intervals
 - 7 °C: the lamp flashes three times in three intervals



NOTE

The minibar sets the cooling temperature automatically to 7 °C when it is connected to a power source.

8 Troubleshooting

Fault	Possible cause	Suggested remedy
Device does not function, Status LED does not glow.	No voltage present in the AC voltage socket.	Try using another plug socket.
	The mains adapter is defective.	Contact service agent.
The device does not cool (plug is inserted, Status LED glows).	The cooling element is defective.	Contact service agent.
The Error LED flashes once per second.	Temperature sensor is defective.	Contact service agent.
The Error LED flashes twice per second.	The fan is defective.	Contact service agent.
Device does not cool sufficiently, Status LED glows, Error LED does not glow.	The cooling element is defective.	Contact service agent.
	Poor ventilation	Check the ventilation. Clean the filter underneath the device.

9 Cleaning and maintenance



NOTICE! Damage hazard

- Never clean the cooler under running water or in dish water.
- Do not use abrasive cleaning agents or hard objects during cleaning as these can damage the cooler.

- Occasionally clean the device interior and exterior with a damp cloth.
- Make sure that the air inlet and outlet vents on the device are free of any dust and dirt, so that heat can be released and the device is not damaged.
- Occasionally clean the inlet filter.
- If you find water in the drip tray (fig. **2** 1, page 3) check whether the drainage system is blocked.



NOTICE! Damage hazard

The lamp can only be replaced by the manufacturer, a service agent or similarly qualified person to avoid hazard.

10 Warranty

The statutory warranty period applies. If the product is defective, please contact your retailer or the manufacturer's branch in your country (see dometic.com/dealer).

For repair and warranty processing, please include the following documents when you send in the device:

- A copy of the receipt with purchasing date
- A reason for the claim or description of the fault

11 Disposal

- Place the packaging material in the appropriate recycling waste bins wherever possible.



If you wish to finally dispose of the product, ask your local recycling centre or specialist dealer for details about how to do this in accordance with the applicable disposal regulations.

12 Technical data


For the current EU declaration of conformity for your device please refer to the respective product page on dometic.com or contact the manufacturer directly (see dometic.com/dealer).

Further product information can be accessed via QR code on the energy label (see figures) or via eprel.ec.europa.eu.

The refrigerant circuit contains R134a.

Contains fluorinated greenhouse gases

Hermetically sealed equipment

	DM 20D	DM 20F
Voltage:	220 – 240 V~, 50/60 Hz	
Cooling capacity:	max. 20 °C below ambient temperature (adjustable in three steps: +5 °C, +7 °C, +12 °C)	
Category:	Cellar	
Total volume:	20 l	
Energy efficiency class:	G	
Power consumption (at ambient temperature of +25 °C, +12 °C refrigerator):	0.368 kWh/24 h	
Climatic class:	N	
Intended ambient temperature use:	+16 °C to +32 °C	
Noise emission:	15 dB(A)	
Refrigerant quantity:	48 g	
CO ₂ equivalent:	0.069 t	
Global warming potential (GWP):	1430	
Dimensions main drawer W x D x H:	285 x 228.5 x 112 mm	
Dimensions H x W x D (see also fig. 11 , page 9):	365 x 384 x 428 mm	365 x 384 x 398 mm
Weight:	12.3 kg	
Inspection/certification:		

Lesen und befolgen Sie bitte alle Anweisungen, Richtlinien und Warnhinweise in diesem Produkthandbuch sorgfältig, um sicherzustellen, dass Sie das Produkt ordnungsgemäß installieren und stets ordnungsgemäß betreiben und warten. Diese Anleitung MUSS bei dem Produkt verbleiben.

Durch die Verwendung des Produktes bestätigen Sie hiermit, dass Sie alle Anweisungen, Richtlinien und Warnhinweise sorgfältig gelesen haben und dass Sie die hierin dargelegten Bestimmungen verstanden haben und ihnen zustimmen. Sie erklären sich damit einverstanden, dieses Produkt nur für den angegebenen Verwendungszweck und gemäß den Anweisungen, Richtlinien und Warnhinweisen dieses Produkthandbuchs sowie gemäß allen geltenden Gesetzen und Vorschriften zu verwenden. Eine Nichtbeachtung der hierin enthaltenen Anweisungen und Warnhinweise kann zu einer Verletzung Ihrer selbst und anderer Personen, zu Schäden an Ihrem Produkt oder zu Schäden an anderem Eigentum in der Umgebung führen. Dieses Produkthandbuch, einschließlich der Anweisungen, Richtlinien und Warnhinweise, sowie die zugehörige Dokumentation können Änderungen und Aktualisierungen unterliegen. Aktuelle Produktinformationen finden Sie unter www.dometic.com.

Inhalt

1	Erläuterung der Symbole	24
2	Sicherheitshinweise	25
3	Lieferumfang	28
4	Bestimmungsgemäßer Gebrauch	29
5	Technische Beschreibung	30
6	Montage	31
7	Bedienung	33
8	Störungsbeseitigung	35
9	Reinigung und Wartung	35
10	Garantie	36
11	Entsorgung	36
12	Technische Daten	36

1 Erläuterung der Symbole



GEFAHR!

Sicherheitshinweis auf eine Gefahrensituation, die zum Tod oder zu schwerer Verletzung führt, wenn sie nicht vermieden wird.



WARNUNG!

Sicherheitshinweis auf eine Gefahrensituation, die zum Tod oder zu schwerer Verletzung führen kann, wenn sie nicht vermieden wird.

**VORSICHT!**

Sicherheitshinweis auf eine Gefahrensituation, die zu einer leichten oder mittelschweren Verletzung führen kann, wenn sie nicht vermieden wird.

**ACHTUNG!**

Hinweis auf eine Situation, die zu Sachschäden führen kann, wenn sie nicht vermieden wird.

**HINWEIS**

Ergänzende Informationen zur Bedienung des Produktes.

2 Sicherheitshinweise

2.1 Grundlegende Sicherheit



WARNUNG! Nichtbeachtung dieser Warnungen kann zum Tod oder schwerer Verletzung führen.

Gefahr durch Stromschlag

- Stellen Sie sicher, dass die Minibar von einem qualifizierten Techniker gemäß der Dometic Montageanleitung installiert wurde.
- Wenn die Minibar sichtbare Beschädigungen aufweist, dürfen Sie sie nicht in Betrieb nehmen.
- Wenn das Anschlusskabel der Minibar beschädigt ist, muss es durch den Hersteller, einen Kundendienstmitarbeiter bzw. eine entsprechend ausgebildete Fachkraft ersetzt werden, um Gefahren zu verhindern.
- Reparaturen an der Minibar dürfen nur von Fachkräften durchgeführt werden. Durch unsachgemäße Reparaturen können erhebliche Gefahren entstehen.

Brandgefahr

- Das Kältemittel im Kühlkreislauf ist leicht entflammbar. Bei einer Beschädigung des Kühlkreislaufs:
 - Schalten Sie die Minibar aus.
 - Vermeiden Sie offenes Feuer und Zündfunken.
 - Lüften Sie den Raum gut.

Explosionsgefahr

- Lagern Sie keine explosionsfähigen Stoffe wie z. B. Sprühdosen mit brennbarem Treibgas in der Minibar.

Gesundheitsgefahr

- Diese Minibar kann von Kindern ab 8 Jahren und von Personen mit verringerten physischen, sensorischen oder mentalen Fähigkeiten oder Mangel an Erfahrung und/oder Wissen verwendet werden, wenn diese Personen beaufsichtigt werden oder im sicheren Gebrauch der Minibar unterwiesen wurden und die daraus resultierenden Gefahren verstanden haben.
- Kinder dürfen nicht mit der Minibar spielen.
- Reinigung und Benutzerwartung dürfen nicht durch unbeaufsichtigte Kinder durchgeführt werden.
- Kinder von 3 bis 8 Jahren dürfen die Minibar be- und entladen.

**VORSICHT! Nichtbeachtung dieser Hinweise kann zu geringer oder mittelschwerer Verletzung führen.****Quetschgefahr**

- Fassen Sie nicht in das Scharnier.

Gesundheitsgefahr

- Lebensmittel dürfen nur in Originalverpackungen oder geeigneten Behältern eingelagert werden.

**ACHTUNG! Beschädigungsgefahr**

- Vergleichen Sie die Spannungsangabe auf dem Typenschild mit der vorhandenen Energieversorgung.
- Die Minibar ist nicht geeignet für die Lagerung ätzender oder lösungsmittelhaltiger Stoffe.
- Die Isolierung des Kühlgeräts enthält brennbares Cyclopentan und erfordert ein besonderes Entsorgungsverfahren. Entsorgen Sie das Kühlgerät am Ende seiner Nutzungsdauer in einem entsprechenden Recyclingcenter.
- Halten Sie die Abflussöffnung stets sauber.
- Öffnen Sie auf keinen Fall den Kühlkreislauf.
- Transportieren Sie die Minibar nur in aufrechter Stellung.

2.2 Sicherheit beim Betrieb der Minibar



GEFAHR! Nichtbeachtung dieser Warnungen kann zum Tod oder schwerer Verletzung führen.

Gefahr durch Stromschlag

- Fassen Sie nie mit bloßen Händen an blanke Leitungen.



VORSICHT! Nichtbeachtung dieser Hinweise kann zu geringer oder mittelschwerer Verletzung führen.

Gefahr durch Stromschlag

- Achten Sie vor der Inbetriebnahme der Minibar darauf, dass Zuleitung und Stecker trocken sind.

Gesundheitsgefahr

- Achten Sie darauf, dass sich nur Gegenstände bzw. Waren in der Minibar befinden, die auf die gewählte Temperatur gekühlt werden dürfen.
- Lebensmittel dürfen nur in Originalverpackungen oder geeigneten Behältern gelagert werden.
- Ein längeres Öffnen der Tür kann zu einem erheblichen Anstieg der Temperatur in den Fächern der Minibar führen.
- Reinigen Sie regelmäßig Oberflächen, die mit Lebensmitteln in Kontakt kommen können, sowie zugängliche Ablaufsysteme.
- Wenn die Minibar über längere Zeiträume leer bleibt:
 - Schalten Sie die Minibar aus.
 - Tauen Sie die Minibar ab.
 - Reinigen und trocknen Sie die Minibar.
 - Lassen Sie die Tür offenstehen, um Schimmelbildung in der Minibar zu verhindern.



ACHTUNG! Beschädigungsgefahr

- Verstauen Sie schwere Gegenstände wie z. B. Flaschen oder Dosen ausschließlich in der Tür der Minibar oder auf dem unteren Tragrost.
- Benutzen Sie keine Elektrogeräte innerhalb der Minibar, außer wenn diese Elektrogeräte vom Hersteller dafür empfohlen werden.
- Stellen Sie das Gerät nicht in der Nähe von offenen Flammen oder anderen Wärmequellen (Heizung, starke Sonneneinstrahlung, Gasöfen usw.) ab.
- Stellen Sie sicher, dass die Lüftungsöffnungen nicht abgedeckt sind.
- Tauchen Sie die Minibar nie in Wasser.

- Schützen Sie die Minibar und die Kabel vor Hitze und Nässe.
- Achten Sie darauf, dass die Speisen keine Wand des Kühlraums berühren.



HINWEIS

- Wählen Sie bei Umgebungstemperaturen von +15 °C bis +25 °C die mittlere Temperatureinstellung.

3 Lieferumfang

Die folgenden Grundausführungen sind erhältlich:

- Minibar DM20D mit Dekorplatte, ohne Schloss
- Minibar DM20D mit Dekorplatte, mit Schloss
- Minibar DM20F ohne Dekorplatte, ohne Schloss
- Minibar DM20F ohne Dekorplatte, mit Schloss

Anzahl	Beschreibung	
1	Minibar	
1	Wechselstrom-Anschlusskabel	
2	Schraube Ø 4 x 45 mm (Einbau)	
2	Schraube Ø 4 x 25 mm (Montage der vorderen Füße)	
2	Schraube M4 x 45 mm (Montage des Griffs)	
2	Stopfen (Einbau)	
1	Tragegriff	nur DM20D
2	Stopfen (Montage des Griffs)	nur DM20D
2	Stopfen (Holzdekorplatte)	DM20F, nur Holz Ausführung
1	Schlossblende (Holzdekorplatte)	DM20F, nur Holz Ausführung mit Schloss
2	Legende	nur Ausführung mit Schloss
1	Montage- und Bedienungsanleitung	

4 Bestimmungsgemäßer Gebrauch

Das Kühlgerät (auch als Minibar bezeichnet) ist für den Betrieb in geschlossenen Gebäuden konzipiert, wie z. B:

- In Personalküchen in Ladengeschäften, Büros und anderen Arbeitsbereichen
- Im landwirtschaftlichen Sektor
- In Hotels, Motels und anderen Unterkünften
- In Frühstückspensionen
- In Catering-Unternehmen oder ähnlichen Großhandelsbetrieben

Die Minibar ist nicht für den Einbau in Wohnwagen oder Wohnmobile geeignet.

Die Minibar ist für den Einbau in einen Schrank oder eine Einbaunische vorgesehen.

Die Minibar ist ausschließlich zur Kühlung und Lagerung von Getränken und Lebensmitteln in geschlossenen Behältern bestimmt.

Die Minibar ist nicht zur Lagerung von frischen Lebensmitteln und Medikamenten oder zum Einfrieren von Lebensmitteln geeignet.

Diese Minibar ist nur für den angegebenen Verwendungszweck und die Anwendung gemäß dieser Anleitung geeignet.

Dieses Handbuch enthält Informationen, die für die ordnungsgemäße Installation und den ordnungsgemäßen Betrieb der Minibar erforderlich sind. Installationsfehler und/oder ein nicht ordnungsgemäßer Betrieb oder nicht ordnungsgemäße Wartung haben eine unzureichende Leistung und u. U. einen Ausfall des Geräts zur Folge.

Der Hersteller übernimmt keine Haftung für Verletzungen oder Schäden am Produkt, die durch Folgendes entstehen:

- Unsachgemäße Montage oder falscher Anschluss, einschließlich Überspannung
- Unsachgemäße Wartung oder Verwendung von anderen als den vom Hersteller gelieferten Original-Ersatzteilen
- Veränderungen am Produkt ohne ausdrückliche Genehmigung des Herstellers
- Verwendung für andere als die in der Anleitung beschriebenen Zwecke

Dometic behält sich das Recht vor, das Erscheinungsbild des Produkts und dessen technische Daten zu ändern.

5 Technische Beschreibung

Die Minibar verfügt über eine Schublade mit Platz für 12 Dosen (plus Snack-Riegel).

Bei der Auslieferung sind die mitgelieferten Regale und Fächer so angeordnet, dass das Gerät energieeffizient betrieben werden kann.

Die Minibar DM20D wird mit einer anthrazitfarbenen Dekorplatte und einem Griff geliefert.

Die Minibar DM20F wird ohne Dekorplatte geliefert und ist für das Anbringen einer hoteleigenen Dekorplatte vorbereitet.

Als Kühlsystem findet eine verschleißfreie thermoelektrische Kühlung Anwendung.

Ein Schloss ist als Zubehör erhältlich.

5.1 Gerätebeschreibung

Vorderseite

Nr. in Abb. 1 , Seite 3	Beschreibung
1	Schloss (optional)
2	Griff (nur DM20D)
3	Türdekor (nur DM20D)

Rückseite

Nr. in Abb. 2 , Seite 3	Beschreibung
1	Tropfschale
2	Netzadapter

Bedienfeld (im Innern des Geräts)

Nr. in Abb. 3 , Seite 4	Beschreibung
1	Lampe
2	Fehler-LED
3	Status-LED
4	Einstelltaste

Hauptschublade

Nr. in Abb. 4 , Seite 4	Beschreibung
1	Trennwand
2	Flaschenhalter

6 Montage



VORSICHT! Gesundheitsgefahr

Um eine Gefährdung durch Instabilität des Gerätes zu vermeiden, muss dieses gemäß den Anweisungen befestigt werden.

6.1 Hinweise zum Einbau in Möbel

Zum Einbau der Minibar in Möbel gibt es vier Möglichkeiten. Wählen Sie Ihre bevorzugte Variante aus (Abb. **5**, Seite 5).

Beachten Sie Folgendes:

- Die Einbaumaße sind (H x B x T):
 - **DM20D**: 385 x 404 x 428 mm
 - **DM20F**: 385 x 404 x 426 + d mm
d ist die Dicke der hoteleigenen Dekorplatte
- Der Abstand zwischen der Rückseite der Minibar und der Wand des Möbels sollte etwa 10 mm betragen.
- Die Lüftungsöffnungen für die gewählte Variante sind herzustellen (Abb. **5**, Seite 5).

- Die durch den Zuluftkanal strömende Luft darf nicht durch Wärmequellen (Heizkörper, direkte Sonneneinstrahlung, Gasherde usw.) erwärmt werden.
- Befestigen Sie den Kühlschrank mit geeigneten Schrauben (Abb. **6** 1 und 2, Seite 6).

6.2 Elektrischer Anschluss der Minibar

- Stecken Sie das Wechselstrom-Anschlusskabel in die Wechselstrom-Buchse und schließen Sie es an eine Netzsteckdose an.
- ✓ Die Status-LED leuchtet.
- ✓ Die Minibar beginnt, den Innenraum zu kühlen.

6.3 Anbringen der hoteleigenen Dekorplatte (nur DM20F)

Die hoteleigene Dekorplatte muss die folgenden Anforderungen erfüllen:

- Höchstgewicht: 2 kg
- Maximale Dicke: 14 mm
- Befestigen Sie die Dekorplatte mit vier Schrauben.

6.4 Montage des Schlosses (nur Ausführung mit Schloss)

- Bohren Sie ein Loch mit einem Durchmesser von 35 mm in die Dekorplatte.
- Montieren Sie das Schloss zusammen mit der Schlossblende.

6.5 Montage des Schlosses (nur Ausführung ohne Schloss)

Demontage der Schublade (Abb. **7**, Seite 7)

- Öffnen Sie die Schublade vollständig.
- Drücken Sie auf die Schienenverriegelung (**A 1**).
- Ziehen Sie die Schublade aus dem Schrank heraus.
- Entfernen Sie die Dichtung (**B 1**).
- Entfernen Sie die Schlossblende (**B 2**).
- Entfernen Sie die Stopfen (**C 1**) von den Schrauben des Türgriffs (**C 3**).

- Lösen Sie die Schrauben (**C 2**) des Türgriffs (**C 3**).
- Entfernen Sie den Türgriff (**C 3**).

Herstellen der Bohrungen (Abb. **8**, Seite 7)

- Bohren Sie ein Loch mit einem Durchmesser von 25 mm durch die Dekorplatte und die Tür (**A 1**).
- Lösen Sie die Schrauben (**B 1**) des Dekorrahmens (**B 2**).
- Entfernen Sie den Dekorrahmen (**B 2**).

Montage des Schlosses (Abb. **9**, Seite 8)

- Setzen Sie die neue Schlossblende (**A 1**) ein.
- Legen Sie die Dekorplatte (**B 1**) in den Dekorrahmen (**B 3**).
- Verschrauben Sie den Dekorrahmen (**B 3**) mit der Tür (**B 2**).
- Montieren Sie das Türschloss (**C 1**).
- Montieren Sie die Schlossfalle in den Schrank (**D 1**).

Zusammenbau der Schublade (Abb. **10**, Seite 8)

- Drücken Sie die Dichtung (**1**) auf den Dekorrahmen (**2**).
- Schrauben Sie den Türgriff (**4**) auf die Tür.
- Drücken Sie die Stopfen (**3**) auf die Schrauben des Türgriffs (**4**).
- Schieben Sie die Schublade in den Schrank.

7 Bedienung



ACHTUNG! Beschädigungsgefahr

Die Lampe darf nur durch den Hersteller, einen Kundendienst oder eine ähnlich qualifizierte Person ersetzt werden, um Beschädigungen zu vermeiden.

7.1 Energie sparen

- Öffnen Sie die Minibar nur so oft und so lange wie nötig.
- Lassen Sie warme Speisen erst abkühlen, bevor Sie sie im Gerät kühl halten.

- Vermeiden Sie eine unnötig tiefe Innentemperatur.
- Für einen optimalen Energieverbrauch positionieren Sie die Regale und Schubladen entsprechend ihrer Position bei der Auslieferung.
- Prüfen Sie in regelmäßigen Abständen, ob die Dichtung der Tür noch richtig sitzt.
- Befreien Sie den Kondensator in regelmäßigen Abständen von Staub und Verunreinigungen.

7.2 Verwenden der Minibar

Die Minibar beginnt zu kühlen, sobald sie an das Stromnetz angeschlossen wird. Während des normalen Betriebs leuchtet die Status-LED. Wenn ein Fehler auftritt, blinkt die Fehler-LED (siehe Kapitel „Störungsbeseitigung“ auf Seite 35).

7.3 Temperatur einstellen

Um Lebensmittelverschwendung zu vermeiden, beachten Sie bitte Folgendes:

- Halten Sie Temperaturschwankungen so gering wie möglich. Öffnen Sie die Minibar nur so oft und so lange wie nötig. Lagern Sie Lebensmittel so, dass Luft immer noch gut zirkulieren kann.
- Die Minibar ist mit einer automatischen Temperaturregelung ausgestattet. Wählen Sie den Mittelwert der möglichen Temperaturwerte aus.
- Passen Sie die Temperatur der Menge und Art der Lebensmittel an.

Die Minibar ist standardmäßig auf eine Kühltemperatur von 7 °C) bei einer Umgebungstemperatur von 25 °C) eingestellt.

Mit der Einstelltaste (Abb. **3** 4 Seite 4) können Sie die Kühltemperatur auf einen von drei Werten einstellen: 5 °C, 12 °C und 7 °C.

Dadurch wird die Temperatur in der Reihenfolge 5 °C ... 12 °C ... 7 °C ... 5 °C usw. geändert.

- Drücken Sie die Einstelltaste (Abb. **3** 4, Seite 4) und halten Sie sie 5 s lang gedrückt, bis die Lampe (Abb. **3** 1, Seite 4) zu blinken beginnt.
- Drücken Sie sofort wieder die Einstelltaste (Abb. **3** 4, Seite 4).
- ✓ Die Lampe (Abb. **3** 1, Seite 4) zeigt die eingestellte Temperatur an:
 - 5 °C: Die Lampe blinkt fünfmal in drei Intervallen.
 - 12 °C: Die Lampe blinkt einmal in drei Intervallen.
 - 7 °C: Die Lampe blinkt dreimal in drei Intervallen.

**HINWEIS**

Bei Anschluss an eine Stromquelle wird die Minibar automatisch auf eine Kühltemperatur von 7 °C eingestellt.

8 Störungsbeseitigung

Störung	Mögliche Ursache	Lösungsvorschlag
Das Gerät funktioniert nicht, Status-LED leuchtet nicht.	Wechselspannungssteckdose führt keine Spannung.	Versuchen Sie es an einer anderen Steckdose.
	Der Netzadapter ist defekt.	Wenden Sie sich an den Kundendienst.
Das Gerät kühlt nicht (Stecker ist eingesteckt, Status-LED leuchtet).	Das Kühlelement ist defekt.	Wenden Sie sich an den Kundendienst.
Die Fehler-LED blinkt einmal pro Sekunde.	Der Temperatursensor ist defekt.	Wenden Sie sich an den Kundendienst.
Die Fehler-LED blinkt zweimal pro Sekunde.	Der Lüfter ist defekt.	Wenden Sie sich an den Kundendienst.
Das Gerät kühlt nicht ausreichend, Status-LED leuchtet, Fehler-LED leuchtet nicht.	Das Kühlelement ist defekt.	Wenden Sie sich an den Kundendienst.
	Schlechte Belüftung	Prüfen Sie die Belüftung. Reinigen Sie den Filter unter dem Gerät.

9 Reinigung und Wartung

**ACHTUNG! Beschädigungsgefahr!**

- Reinigen Sie das Kühlgerät niemals unter fließendem Wasser oder gar im Spülwasser.
- Verwenden Sie zur Reinigung keine scharfen Reinigungsmittel oder harten Gegenstände, da diese das Kühlgerät beschädigen können.

- Reinigen Sie das Kühlgerät innen und außen gelegentlich mit einem feuchten Tuch.

- Stellen Sie sicher, dass die Be- und Entlüftungsöffnungen des Kühlgerätes frei von Staub und Verunreinigungen sind, damit die beim Betrieb entstehende Wärme abgeführt werden kann und das Kühlgerät keinen Schaden nimmt.
- Reinigen Sie von Zeit zu Zeit den Einlassfilter.
- Wenn Sie Wasser in der Tropfschale (Abb. **2** 1, Seite 3) finden, prüfen Sie, ob das Abflusssystem verstopft ist.

**ACHTUNG! Beschädigungsgefahr**

Die Lampe darf nur durch den Hersteller, einen Kundendienst oder eine ähnlich qualifizierte Person ersetzt werden, um Beschädigungen zu vermeiden.

10 Garantie

Es gilt die gesetzliche Gewährleistungsfrist. Sollte das Produkt defekt sein, wenden Sie sich bitte an Ihren Fachhändler oder an die Niederlassung des Herstellers in Ihrem Land (siehe dometic.com/dealer).

Zur Reparatur- bzw. Gewährleistungsbearbeitung müssen Sie folgende Unterlagen mitschicken:

- eine Kopie der Rechnung mit Kaufdatum,
- einen Reklamationsgrund oder eine Fehlerbeschreibung.

11 Entsorgung

- Geben Sie das Verpackungsmaterial möglichst in den entsprechenden Recycling-Müll.



Wenn Sie das Produkt endgültig außer Betrieb nehmen, informieren Sie sich bitte beim nächsten Recyclingcenter oder bei Ihrem Fachhändler über die zutreffenden Entsorgungsvorschriften.

12 Technische Daten


Die aktuelle EU-Konformitätserklärung für Ihr Gerät erhalten Sie auf der jeweiligen Produktseite auf dometic.com oder direkt über den Hersteller (siehe dometic.com/dealer).

Weitere Produktinformationen sind über den QR-Code auf dem Energieetikett (siehe Abbildungen) oder unter eprel.ec.europa.eu abrufbar.

Der Kühlkreislauf enthält R134a.

Enthält fluoridierte Treibhausgase

Hermetisch geschlossene Einrichtung

	DM20D	DM20F
Spannung:	220 – 240 V~, 50/60 Hz	
Kühlleistung:	max. 20 °C unter Umgebungstemperatur (in drei Stufen einstellbar: +5 °C, +7 °C, +12 °C)	
Kategorie:	Keller	
Gesamtinhalt:	20 l	
Energieeffizienzklasse:	G	
Leistungsaufnahme (bei Umgebungstemperatur von +25 °C, +12 °C Kühlschrank):	0,368 kWh/24 h	
Klimaklasse:	N	
Bestimmungsgemäßer Gebrauch bei Umgebungstemperatur:	+16 °C bis +32 °C	
Schallemissionen:	15 dB(A)	
Kältemittelmenge:	48 g	
CO ₂ -Äquivalent:	0,069 t	
Treibhauspotential (GWP):	1430	
Abmessungen Hauptschublade B x T x H:	285 x 228,5 x 112 mm	
Abmessungen H x B x T (siehe auch Abb. 11, Seite 9):	365 x 384 x 428 mm	365 x 384 x 398 mm
Gewicht:	12,3 kg	
Prüfung/Zertifikat:		

Veillez lire et suivre attentivement l'ensemble des instructions, directives et avertissements figurant dans ce manuel afin de vous assurer que vous installez, utilisez et entretenez le produit correctement à tout moment. Ces instructions DOIVENT rester avec ce produit.

En utilisant le produit, vous confirmez par la présente que vous avez lu attentivement l'ensemble des instructions, directives et avertissements et que vous comprenez et acceptez de respecter les modalités et conditions énoncées dans le présent document. Vous acceptez d'utiliser ce produit uniquement pour l'usage et l'application prévus et conformément aux instructions, directives et avertissements figurant dans le manuel du produit, ainsi qu'à toutes les lois et réglementations applicables. Si vous ne lisez et ne respectez pas les instructions et les avertissements figurant dans ce manuel, vous risquez de vous blesser ou de blesser d'autres personnes, d'endommager votre produit ou d'endommager d'autres biens à proximité. Le présent manuel produit, y compris les instructions, directives et avertissements, ainsi que la documentation associée peuvent faire l'objet de modifications et de mises à jour. Pour obtenir des informations actualisées sur le produit, rendez-vous sur www.dometic.com.

Sommaire

1	Signification des symboles	38
2	Consignes de sécurité	39
3	Contenu de la livraison	42
4	Usage conforme	43
5	Description technique	44
6	Installation	45
7	Utilisation	47
8	Guide de dépannage	49
9	Nettoyage et entretien	49
10	Garantie	50
11	Mise au rebut	50
12	Caractéristiques techniques	50

1 Signification des symboles



DANGER !

Consigne de sécurité signalant une situation dangereuse qui entraîne la mort ou de graves blessures si elle n'est pas évitée.



AVERTISSEMENT !

Consigne de sécurité signalant une situation dangereuse qui peut entraîner la mort ou de graves blessures si elle n'est pas évitée.

**ATTENTION !**

Consigne de sécurité signalant une situation dangereuse qui peut entraîner des blessures de gravité moyenne ou légère si elle n'est pas évitée.

**AVIS !**

Remarque signalant une situation qui peut entraîner des dommages matériels si elle n'est pas évitée.

**REMARQUE**

Informations complémentaires sur l'utilisation du produit.

2 Consignes de sécurité

2.1 Sécurité générale



AVERTISSEMENT ! Le non-respect de ces mises en garde peut entraîner des blessures graves, voire mortelles.

Risque d'électrocution

- Assurez-vous que le minibar a été installé par un technicien qualifié conformément au manuel d'installation de Dometic.
- Si le minibar présente des dégâts visibles, ne le mettez pas en service.
- Si le câble de raccordement du minibar est endommagé, il doit être remplacé par le fabricant, un agent de maintenance ou une personne de qualification similaire, afin d'éviter tout danger.
- Seul un opérateur qualifié est habilité à effectuer des réparations sur le minibar. Toute réparation mal effectuée risquerait d'entraîner de graves dangers.

Risque d'incendie

- Le réfrigérant du circuit frigorifique s'enflamme facilement.
En cas d'endommagement du circuit frigorifique :
 - Éteignez le minibar.
 - Évitez toute flamme nue et/ou étincelle.
 - Aérez bien la pièce.

Risque d'explosion

- Ne stockez aucune substance explosive, telle que des aérosols contenant des propulsifs dans le minibar.

Risque pour la santé

- Ce minibar peut être utilisé par des enfants âgés de 8 ans et plus et des personnes ayant des capacités physiques, sensorielles ou mentales réduites ou un manque d'expérience et de connaissances, s'ils sont sous surveillance ou ont reçu des instructions sur l'utilisation du minibar en toute sécurité et comprennent les risques impliqués.
- Les enfants ne doivent pas jouer avec le minibar.
- Le nettoyage et l'entretien ne doivent pas être effectués par des enfants sans surveillance.
- Les enfants âgés de 3 à 8 ans peuvent remplir et vider le minibar.

**ATTENTION ! Le non-respect de ces mises en garde peut entraîner des blessures légères ou de gravité modérée.****Risque d'écrasement**

- Ne touchez pas la charnière.

Risque pour la santé

- Les produits alimentaires doivent être conservés dans leurs emballages originaux ou dans des récipients appropriés.

**AVIS ! Risque d'endommagement**

- Vérifiez que la tension indiquée sur la plaque signalétique correspond à l'alimentation électrique dont vous disposez.
- Ne stockez aucune substance corrosive ou contenant des solvants dans le minibar.
- L'isolation du dispositif de réfrigération contient des gaz inflammables et nécessite des procédures d'élimination spéciales. À la fin de son cycle de vie, remettez le dispositif de réfrigération à un centre de recyclage approprié.
- Veillez à ce que l'ouverture d'évacuation soit toujours propre.
- N'ouvrez jamais le circuit frigorifique.
- Portez uniquement le minibar en position verticale.

2.2 Consignes de sécurité relatives au fonctionnement du minibar



DANGER ! Le non-respect de cette mise en garde entraînera des blessures graves, voire mortelles.

Risque d'électrocution

- Ne touchez jamais les lignes électriques dénudées avec les mains nues.



ATTENTION ! Le non-respect de ces mises en garde peut entraîner des blessures légères ou de gravité modérée.

Risque d'électrocution

- Avant de mettre le minibar en service, assurez-vous que le câble et la prise d'alimentation électrique sont secs.

Risque pour la santé

- Ne stockez aucun objet ou aliment susceptible de geler la température sélectionnée dans le minibar.
- Les aliments doivent être conservés dans leur emballage d'origine ou dans des récipients appropriés.
- Une ouverture prolongée de la porte peut entraîner une augmentation significative de la température dans les compartiments du minibar.
- Nettoyez régulièrement les surfaces qui entrent en contact avec les aliments, ainsi que les systèmes de drainage accessibles.
- Si le minibar reste vide pendant une période prolongée :
 - Éteignez le minibar.
 - Dégivrez le minibar.
 - Nettoyez et séchez le minibar.
 - Laissez la porte ouverte pour éviter que des moisissures ne se développent dans le minibar.



AVIS ! Risque d'endommagement

- Entreposez uniquement les objets lourds, tels que des bouteilles ou des canettes, dans la porte ou sur la clayette inférieure du minibar.
- N'utilisez aucun appareil électrique à l'intérieur du minibar, sauf s'ils sont recommandés par le fabricant pour cet usage.
- Ne placez pas l'appareil près de flammes ou d'autres sources de chaleur (chauffage, rayons solaires, fours à gaz etc.).
- Assurez-vous que les orifices d'aération ne sont pas recouverts.

- N'immergez jamais le minibar dans l'eau.
- Tenez le minibar et les câbles à l'abri de la chaleur et de l'humidité.
- Veillez à ce que la nourriture ne touche pas les parois du compartiment de réfrigération.

**REMARQUE**

- Si les températures ambiantes sont comprises entre +15 °C et +25 °C, choisissez la température moyenne.

3 Contenu de la livraison

Les principales solutions suivantes sont disponibles :

- Minibar DM20D avec décor de porte, sans serrure
- Minibar DM20D avec décor de porte et serrure
- Minibar DM20F sans décor de porte ni serrure
- Minibar DM20F sans décor de porte, avec serrure

Quantité	Description	
1	Minibar	
1	Câble de raccordement au courant alternatif	
2	Vis Ø 4 x 45 mm (montage)	
2	Vis Ø 4 x 25 mm (montage des pieds avant)	
2	Vis M4 x 45 mm (montage de la poignée)	
2	Connecteur (montage)	
1	Poignée	DM20D uniquement
2	Connecteur (montage de la poignée)	DM20D uniquement
2	Connecteur (panneau en bois)	DM20F version bois uniquement
1	Décor avec verrou (panneau en bois)	DM20F version bois avec serrure uniquement
2	Clé	Version avec verrou uniquement
1	Instructions de montage et de service	

4 Usage conforme

L'appareil de réfrigération (également appelé minibar) est conçu pour fonctionner dans des bâtiments fermés, tels que :

- Dans les réfectoires des magasins, bureaux et autres lieux de travail
- Dans le secteur agricole
- Dans les hôtels, motels et autres lieux d'hébergement
- Dans les chambres d'hôtes
- Dans les entreprises de restauration ou les activités de gros similaires

Le minibar n'est pas adapté à une installation dans les caravanes ou mobile-homes.

Le minibar est destiné à être installé dans un meuble ou une cavité murale dédiée.

Le minibar est conçu exclusivement pour le refroidissement et le stockage de boissons et d'aliments dans des récipients fermés.

Le minibar n'est pas adapté au stockage d'aliments surgelés et de médicaments ni à la congélation d'aliments.

Ce minibar convient uniquement à l'usage et à l'application prévus, conformément au présent manuel d'instructions.

Ce manuel fournit les informations nécessaires à l'installation et/ou à l'utilisation correcte du minibar. Une installation, une utilisation ou un entretien inappropriés entraînera des performances insatisfaisantes et une éventuelle défaillance.

Le fabricant décline toute responsabilité en cas de blessure ou de dommage résultant :

- d'un montage ou d'un raccordement incorrect, y compris d'une surtension
- d'un entretien inadapté ou de l'utilisation de pièces de rechange autres que les pièces de rechange d'origine fournies par le fabricant
- des modifications apportées au produit sans autorisation explicite du fabricant ;
- des usages différents de ceux décrits dans le manuel.

Dometic se réserve le droit de modifier l'apparence et les spécifications produit.

5 Description technique

Le minibar dispose d'un tiroir pouvant accueillir 12 canettes (plus des snacks).

À la livraison, les clayettes et les compartiments prévus sont positionnés de manière à ce que l'appareil puisse fonctionner de manière efficace sur le plan énergétique.

Le minibar DM 20D est livré avec un décor anthracite et une poignée.

Le minibar DM 20F est livré sans décor et est préparé pour être intégré au décor de la porte de l'hôtel.

Il est équipé d'un système de refroidissement Peltier sans usure.

Un verrou est proposé en option.

5.1 Description de l'appareil

Façade

Pos. dans fig. 1 , page 3	Description
1	Verrou (en option)
2	Poignée (DM20D uniquement)
3	Décor de porte (DM20D uniquement)

Panneau arrière

Pos. dans fig. 2 , page 3	Description
1	Égouttoir
2	Bloc d'alimentation

Panneau de commande (à l'intérieur de l'appareil)

Pos. dans fig. 3 , page 4	Description
1	Lampe
2	LED erreur
3	LED d'état
4	Bouton de réglage

Tiroir principal

Pos. dans fig. 4 , page 4	Description
1	Séparateur
2	Doigt pour bouteilles

6 Installation



ATTENTION ! Risque pour la santé

Pour éviter tout risque dû à l'instabilité de l'appareil, celui-ci doit être fixé conformément aux instructions.

6.1 Remarques relatives au montage dans un meuble

Le minibar peut être intégré de quatre manières dans un meuble. Choisissez votre option préférée (fig. **5**, page 5).

Tenez compte des instructions suivantes :

- Les dimensions de découpe H x L x P sont les suivantes :
 - **DM 20D** : 385 x 404 x 428 mm
 - **DM 20F** : 385 x 404 x 426 + d mm
d représente l'épaisseur du décor de la porte de l'hôtel
- L'espace entre l'arrière du minibar et le meuble doit être d'environ 10 mm .
- Les ouvertures d'aération requises pour l'option choisie doivent être réalisées (fig. **5**, page 5).
- L'air passant par le tuyau d'entrée d'air ne doit être réchauffé par aucune source de chaleur (radiateurs, rayonnement solaire direct, fours à gaz, etc.).

- Fixez le réfrigérateur en place avec des vis adaptées (fig. **6** 1 et 2, page 6).

6.2 Raccordement électrique du minibar

- Branchez le câble de raccordement CA dans la prise de courant alternatif et raccordez-le au réseau alternatif.
- ✓ La LED état s'allume.
- ✓ L'intérieur du minibar commence à être réfrigéré.

6.3 Montage du décor de la porte de l'hôtel (DM 20F uniquement)

Le décor de la porte de l'hôtel doit satisfaire aux exigences suivantes :

- Poids maximum : 2 kg
- Épaisseur maximale : 14 mm (
- Fixez le décor avec quatre vis.

6.4 Montage du verrou (version avec verrou uniquement)

- Percez un trou de 35 mm de diamètre dans le décor.
- Montez le verrou avec le décor pour verrou.

6.5 Montage du verrou (version sans verrou uniquement)

Démontage du tiroir (fig. **7**, page 7)

- Ouvrez complètement le tiroir.
- Appuyez sur le verrou du rail (**A 1**).
- Tirez le tiroir pour le sortir de l'armoire.
- Retirez le joint (**B 1**).
- Retirez le couvercle de la serrure (**B 2**).
- Retirez les deux connecteurs (**C 1**) des vis de la poignée de la porte (**C 3**).
- Dévissez les deux vis (**C 2**) de la poignée de la porte (**C 3**).
- Retirez la poignée de la porte (**C 3**).

Perçage des trous (fig. 8, page 7)

- Percez un trou de 25 mm de diamètre dans le décor et dans la porte (A 1).
- Dévissez les vis (B 1) du cadre du décor (B 2).
- Retirez le cadre du décor (B 2).

Montage du verrou (fig. 9, page 8)

- Mettez le nouveau cache de verrou (A 1) en place.
- Placez le décor (B 1) dans le cadre du décor (B 3).
- Vissez le cadre du décor (B 3) sur la porte (B 2).
- Montez le verrou de la porte (C 1).
- Montez le pêne de la serrure sur l'armoire (D 1).

Montage du tiroir (fig. 10, page 8)

- Placez le joint d'étanchéité (1) sur le cadre du décor (2).
- Vissez la poignée de la porte (4) sur la porte.
- Placez les deux connecteurs (3) sur les vis de la poignée de la porte (4).
- Introduisez le tiroir dans l'armoire.

7 Utilisation



AVIS ! Risque d'endommagement

La lampe doit uniquement être remplacée par le fabricant, un technicien du service après-vente ou toute autre personne de qualification similaire afin d'éviter tout danger.

7.1 Économie d'énergie

- Ouvrez uniquement le minibar lorsque c'est nécessaire et le moins longtemps possible.
- Laissez refroidir les aliments chauds avant de les placer dans l'appareil.
- Évitez une température intérieure inutilement basse.
- Pour une consommation d'énergie optimale, positionnez les clayettes et les tiroirs conformément à leur position à la livraison.

- Vérifiez régulièrement que le joint de la porte est correctement positionné.
- Nettoyez régulièrement le condenseur pour enlever la poussière et les salissures.

7.2 Utilisation du minibar

Le minibar commence à refroidir dès qu'il est raccordé à une alimentation. En fonctionnement normal, la LED d'état est allumée. En cas d'erreur, la LED erreur clignote (voir chapitre « Guide de dépannage », page 49).

7.3 Réglage de la température

Pour éviter de gâcher des aliments, notez les éléments suivants :

- Évitez autant que possible les variations de température. Ouvrez uniquement le minibar lorsque c'est nécessaire et le moins longtemps possible. Entrez les aliments de sorte que l'air puisse circuler librement entre eux.
- Le minibar est équipé d'une fonction de régulation automatique de la température. Sélectionnez la moyenne des valeurs de température possibles.
- Ajustez la température en fonction de la quantité et de la nature des aliments.

Par défaut, le minibar est réglé sur une température de refroidissement de 7 °C à une température ambiante de 25 °C .

Vous pouvez utiliser le bouton de réglage (fig. **3** 4, page 4) pour régler la température de refroidissement sur l'une des trois valeurs disponibles : 5 °C, 12 °C et 7 °C .

Ce faisant, la température est modifiée dans l'ordre suivant : 5 °C ... 12 °C ... 7 °C ... 5 °C , etc.

- Appuyez sur le bouton de réglage (fig. **3** 4, page 4) et maintenez-le enfoncé pendant 5 secondes jusqu'à ce que la lampe (fig. **3** 1, page 4) commence à clignoter.
- Appuyez immédiatement une nouvelle fois sur le bouton de réglage (fig. **3** 4, page 4).
- ✓ La lampe (fig. **3** 1, page 4) indique la température réglée :
 - 5 °C : la lampe clignote cinq fois à trois intervalles
 - 12 °C : la lampe clignote une fois à trois intervalles
 - 7 °C : la lampe clignote trois fois à trois intervalles



REMARQUE

Le minibar règle automatiquement la température de refroidissement sur 7 °C lorsqu'il est raccordé à une source d'alimentation.

8 Guide de dépannage

Panne	Cause possible	Solution proposée
L'appareil ne fonctionne pas, la LED d'état n'est pas allumée.	La prise de tension alternative n'est pas sous tension.	Essayez une autre prise.
	L'adaptateur secteur est défectueux.	Contactez un agent de service.
L'appareil ne réfrigère pas (le connecteur est branché, la LED d'état est allumée).	L'élément réfrigérant est défectueux.	Contactez un agent de service.
La LED erreur clignote une fois par seconde.	Le capteur de température est défectueux.	Contactez un agent de service.
La LED erreur clignote deux fois par seconde.	Le ventilateur est défectueux.	Contactez un agent de service.
L'appareil ne refroidit pas suffisamment, la LED d'état est allumée, la LED d'erreur n'est pas allumée.	L'élément réfrigérant est défectueux.	Contactez un agent de service.
	Aération insuffisante	Contrôlez l'aération. Nettoyez le filtre situé en dessous de l'appareil.

9 Nettoyage et entretien



AVIS ! Risque d'endommagement !

- Ne nettoyez jamais la glacière à l'eau courante et ne la plongez pas non plus dans l'eau.
- N'utilisez pour le nettoyage ni produits abrasifs ni objets durs qui pourraient endommager la glacière.

- Nettoyez de temps à autre l'appareil à l'intérieur et à l'extérieur avec un chiffon humide.
- Assurez-vous que les ouvertures d'aération et de ventilation de l'appareil ne sont pas encombrées de saletés ou de poussières, pour que la chaleur générée par le fonctionnement soit évacuée et que l'appareil ne soit pas endommagé.
- De temps en temps, nettoyez le filtre d'entrée.

- ▶ S'il y a de l'eau dans l'égouttoir (fig. **2** 1, page 3), vérifiez si le système d'écoulement est obstrué.

**AVIS ! Risque d'endommagement**

La lampe doit uniquement être remplacée par le fabricant, un technicien du service après-vente ou toute autre personne de qualification similaire afin d'éviter tout danger.

10 Garantie

Le délai légal de garantie s'applique. Si le produit s'avérait défectueux, veuillez vous adresser à la filiale du fabricant située dans votre pays (voir dometic.com/dealer) ou à votre revendeur spécialisé.

Veillez y joindre les documents suivants pour la gestion des réparations et de la garantie :

- une copie de la facture avec la date d'achat,
- le motif de la réclamation ou une description du dysfonctionnement.

11 Mise au rebut

- ▶ Jetez les emballages dans les conteneurs de déchets recyclables prévus à cet effet.



Lorsque vous mettez votre produit définitivement hors service, informez-vous auprès du centre de recyclage le plus proche ou auprès de votre revendeur spécialisé sur les prescriptions relatives au retraitement des déchets.

12 Caractéristiques techniques

Vous trouverez la déclaration de conformité UE actuelle pour votre appareil sur la page de produit concernée sur dometic.com ou directement auprès du fabricant (voir dometic.com/dealer).

Pour plus d'informations sur le produit, scannez le code QR figurant sur l'étiquette énergétique (voir figures) ou rendez-vous sur eprel.ec.europa.eu.

Le circuit frigorifique contient du R134a.

Contient des gaz à effet de serre fluorés

Équipement hermétiquement scellé

	DM20D	DM20F
Tension :	220 – 240 V~, 50/60 Hz	
Puissance frigorifique :	max. 20 °C en dessous de la température ambiante (réglable en trois étapes : +5 °C, +7 °C, +12 °C)	
Catégorie :	Cave	
Volume total :	20 l	
Classe d'efficacité énergétique :	G	
Puissance absorbée (à une température ambiante de +25 °C, réfrigération +12 °C) :	0,368 kWh/24 h	
Classe climatique :	N	
Utilisation prévue à température ambiante :	+16 °C à +32 °C	
Émissions sonores :	15 dB(A)	
Quantité de réfrigérant :	48 g	
Équivalent CO ₂ :	0,069 t	
Potentiel d'effet de serre (GWP) :	1430	
Dimensions tiroir principal L x P x H :	285 x 228,5 x max 112 mm	
Dimensions h x L x l (voir également fig. 11, page 9) :	365 x 384 x max 428 mm	365 x 384 x max 398 mm
Poids :	12,3 kg	
Contrôle/certification :	 	

Lea atentamente estas instrucciones y siga las indicaciones, directrices y advertencias incluidas en este manual para asegurarse de que instala, utiliza y mantiene correctamente el producto en todo momento. Estas instrucciones DEBEN permanecer con este producto.

Al utilizar el producto, usted confirma que ha leído cuidadosamente todas las instrucciones, directrices y advertencias, y que entiende y acepta cumplir los términos y condiciones aquí establecidos. Usted se compromete a utilizar este producto solo para el propósito y la aplicación previstos y de acuerdo con las instrucciones, directrices y advertencias establecidas en este manual del producto, así como de acuerdo con todas las leyes y reglamentos aplicables. La no lectura y observación de las instrucciones y advertencias aquí expuestas puede causarle lesiones a usted o a terceros, daños en el producto o daños en otras propiedades cercanas. Este manual del producto, incluyendo las instrucciones, directrices y advertencias, y la documentación relacionada, pueden estar sujetos a cambios y actualizaciones. Para obtener información actualizada sobre el producto, visite la página www.dometic.com.

Índice

1	Explicación de los símbolos	52
2	Indicaciones de seguridad	53
3	Volumen de entrega	56
4	Uso previsto	56
5	Descripción técnica	57
6	Instalación	59
7	Manejo.	61
8	Resolución de problemas.	63
9	Limpieza y cuidado	63
10	Garantía	64
11	Gestión de residuos	64
12	Datos técnicos.	64

1 Explicación de los símbolos



¡PELIGRO!

Aviso de seguridad sobre una situación de peligro que, si no se evita, es causa de muerte o heridas graves.



¡ADVERTENCIA!

Aviso de seguridad sobre una situación de peligro que, si no se evita, puede causar la muerte o heridas graves.

**¡ATENCIÓN!**

Aviso de seguridad sobre una situación de peligro que, si no se evita, puede causar heridas leves o de consideración.

**¡AVISO!**

Aviso sobre una situación que, si no se evita, puede causar daños materiales.

**NOTA**

Información complementaria para el manejo del producto.

2 Indicaciones de seguridad

2.1 Seguridad general



¡ADVERTENCIA! El incumplimiento de estas advertencias podría acarrear la muerte o lesiones graves.

Riesgo de electrocución

- Asegúrese de que el minibar sea instalado por un técnico cualificado de acuerdo con el manual de instalación de Dometic.
- No ponga el minibar en funcionamiento si presenta desperfectos visibles.
- Si el cable de conexión de este minibar está dañado, debe ser reemplazado por el fabricante, un técnico de mantenimiento o una persona con cualificación similar para evitar posibles peligros.
- Este minibar solo puede ser reparado por personal cualificado. Las reparaciones que se realicen incorrectamente pueden dar lugar a situaciones de considerable peligro.

Peligro de incendio

- El refrigerante del circuito de refrigeración es muy inflamable. En caso de daños en el circuito de refrigeración:
 - Apague el minibar.
 - Evite el fuego abierto y las chispas.
 - Ventile bien la habitación.

Peligro de explosión

- No guarde en el minibar sustancias explosivas, tales como aerosoles propulsores.

Riesgo para la salud

- Este minibar puede ser utilizado por menores a partir de 8 años y personas con capacidad física, sensorial o mental reducida, o con falta de experiencia y conocimientos, siempre que lo hagan bajo supervisión o hayan recibido instrucciones relativas al uso del mismo de manera segura y entendiendo los riesgos asociados.
- No deje que los niños jueguen con el minibar.
- Los menores no deberán limpiar ni realizar el mantenimiento de usuario sin la debida supervisión.
- Los menores de 3 a 8 años pueden introducir y extraer productos del minibar.



¡ATENCIÓN! El incumplimiento de estas precauciones podría acarrear lesiones moderadas o leves.

Riesgo de aplastamiento

- No introduzca la mano en el tope de la tapa.

Riesgo para la salud

- Los alimentos solo se pueden guardar en los envases originales o en recipientes adecuados.

**¡AVISO! Peligro de daños**

- Compare el valor de tensión indicado en la placa de características con el suministro de energía existente.
- Este minibar no es apto para almacenar sustancias corrosivas o que contengan disolventes.
- El aislamiento de la nevera contiene ciclopentano y requiere una gestión de residuos especial. Deposite el aparato de refrigeración en un centro de reciclaje adecuado al finalizar su vida útil.
- Mantenga siempre limpias las aberturas de desagüe.
- No abra nunca el circuito de refrigeración.
- Traslade el minibar siempre en posición vertical.

2.2 Uso seguro del minibar



¡PELIGRO! El incumplimiento de estas advertencias puede acarrear la muerte o lesiones graves.

Riesgo de electrocución

- No toque los cables sin aislamiento directamente con las manos.



¡ATENCIÓN! El incumplimiento de estas precauciones podría acarrear lesiones moderadas o leves.

Riesgo de electrocución

- Antes de poner el minibar en funcionamiento, asegúrese de que el cable de alimentación y la clavija de enchufe estén secos.

Riesgo para la salud

- Asegúrese de guardar en el minibar solamente aquellos productos que puedan enfriarse a la temperatura seleccionada.
- Los alimentos solo se pueden almacenar con su envase original o en recipientes adecuados.
- Dejar la puerta abierta durante un período prolongado puede producir un incremento considerable de la temperatura en los compartimentos del minibar.
- Limpie periódicamente las superficies que puedan estar en contacto con alimentos y los sistemas de desagüe accesibles.
- Si el minibar se deja vacío durante un tiempo prolongado:
 - Apague el minibar.
 - Descongele el minibar.
 - Limpie y seque el minibar.
 - Deje la puerta abierta para evitar que se genere moho dentro del minibar.



¡AVISO! Peligro de daños

- Coloque los objetos más pesados, por ejemplo, botellas o latas, únicamente en la puerta del minibar o en la rejilla inferior.
- No utilice dispositivos eléctricos en el interior del minibar a no ser que estén recomendados por el fabricante.
- No coloque el aparato cerca de llamas abiertas ni de otras fuentes de calor (calefacción, radiación directa del sol, estufas de gas, etc.).
- Asegúrese de que los orificios de ventilación no estén obstruidos.
- No sumerja nunca el minibar en agua.
- Proteja el minibar y los cables contra el calor y la humedad.
- Preste atención a que los alimentos no toquen ninguna pared del interior de la nevera.



NOTA

- Con una temperatura ambiente de entre +15 °C y +25 °C, seleccione el ajuste de refrigeración medio.

3 Volumen de entrega

Están disponibles las siguientes opciones principales:

- Minibar DM20D con panel de puerta y sin cerradura
- Minibar DM20D con panel de puerta y con cerradura
- Minibar DM20F sin panel de puerta y sin cerradura
- Minibar DM20F sin panel de puerta y con cerradura

Cantidad	Descripción	
1	Minibar	
1	Cable de conexión de corriente alterna	
2	Tornillo de Ø 4 x 45 mm (montaje)	
2	Tornillo de Ø 4 x 25 mm (montaje de las patas delanteras)	
2	Tornillo M4 x 45 mm (montaje del tirador)	
2	Embellecedor (montaje)	
1	Tirador	Solo para DM20D
2	Embellecedor (montaje del tirador)	Solo para DM20D
2	Embellecedor (panel de madera)	Solo para DM20F en versión de madera
1	Panel decorativo para cerradura (panel de madera)	Solo para DM20F en versión de madera con cerradura
2	Leyenda	Solo para versión con cerrojo
1	Instrucciones de montaje y uso	

4 Uso previsto

Este aparato de refrigeración (también llamado minibar) está diseñado para funcionar en edificios cerrados, como por ejemplo:

- En cocinas de personal situadas en tiendas, oficinas y otras zonas de trabajo
- En el sector agrícola
- En hoteles, moteles y otros alojamientos
- En establecimientos de tipo “bed and breakfast”
- En empresas de restauración o actividades similares al por mayor

El minibar no es adecuado para ser instalado en caravanas o autocaravanas.

El minibar está concebido para ser instalado en un armario o en un nicho de instalación.

El minibar está diseñado exclusivamente para enfriar y almacenar bebidas y alimentos en recipientes cerrados.

El minibar no es adecuado para almacenar alimentos frescos o medicamentos ni para congelar alimentos.

Este minibar solo es apto para el uso previsto y la aplicación de acuerdo con estas instrucciones.

Este manual proporciona la información necesaria para la correcta instalación y/o funcionamiento del minibar. Una instalación deficiente y/o un uso y mantenimiento inadecuados conllevan un rendimiento insatisfactorio y posibles fallos.

El fabricante no se hace responsable de ninguna lesión o daño en el producto ocasionados por:

- Un montaje o conexión incorrectos, incluido un exceso de tensión
- Un mantenimiento incorrecto o el uso de piezas de repuesto distintas de las originales proporcionadas por el fabricante
- Modificaciones realizadas en el producto sin el expreso consentimiento del fabricante
- Uso con una finalidad distinta de la descrita en las instrucciones

Dometic se reserva el derecho de cambiar la apariencia y las especificaciones del producto.

5 Descripción técnica

El minibar tiene un cajón con capacidad para 12 latas (y espacio para aperitivos).

Los estantes y compartimentos suministrados de fábrica están situados de manera que el aparato pueda funcionar de forma eficiente desde el punto de vista energético.

El minibar DM20D incluye un panel de antracita y tirador.

El minibar DM20F no incluye panel y está preparado para ajustarse a la puerta del mobiliario del hotel.

Utiliza un sistema de refrigeración Peltier sin desgaste.

Disponible con cerradura opcional.

5.1 Descripción del aparato

Lado frontal

N.º en fig. 1 , página 3	Descripción
1	Cerradura (opcional)
2	Tirador (solo en DM20D)
3	Panel para puerta (solo en DM20D)

Lado posterior

N.º en fig. 2 , página 3	Descripción
1	Bandeja de goteo
2	Adaptador de corriente

Panel de control (dentro del aparato)

N.º en fig. 3 , página 4	Descripción
1	Lámpara
2	LED de error
3	LED de estado
4	Botón de ajuste

Cajón principal

N.º en fig. 4 , página 4	Descripción
1	Divisor
2	Sujetabotellas

6 Instalación



¡ATENCIÓN! Riesgo para la salud

Para evitar peligros causados por la inestabilidad del aparato, este deberá fijarse tal como se indica en las instrucciones.

6.1 Indicaciones para el montaje en el mobiliario

El minibar se puede montar en el mobiliario existente de cuatro maneras distintas. Elija la alternativa más adecuada (fig. **5**, página 5).

Tenga en cuenta lo siguiente:

- Las dimensiones del hueco son (Al x An x P):
 - **DM20D**: 385 x 404 x 428 mm
 - **DM20F**: 385 x 404 x 426 + d mm
 d es el grosor del panel decorativo del hotel
- La separación entre la parte trasera del minibar y la pared del mueble debe ser de 10 mm aproximadamente.
- Será necesario realizar las aberturas de ventilación para la alternativa escogida (fig. **5**, página 5).
- La ventilación del conducto de aire de entrada no debe estar afectada por ninguna fuente de calor (calefactores, luz directa del sol, hornos de gas, etc.).
- Fije la nevera utilizando tornillos adecuados (fig. **6** 1 y 2, página 6).

6.2 Conexión eléctrica del minibar

- Enchufe el cable de conexión de corriente alterna en la clavija de CA y conecte esta a la red de corriente alterna.
- ✓ El LED de estado se ilumina.
- ✓ El interior del minibar se empieza a refrigerar.

6.3 Montaje del panel decorativo del hotel (solo DM20F)

La decoración de puerta del hotel debe cumplir los siguientes requisitos:

- Peso máximo: 2 kg
- Grosor máximo: 14 mm
- Fije el panel decorativo con cuatro tornillos.

6.4 Montaje de la cerradura (versión con cerradura)

- Realice un orificio de 35 mm de diámetro en el panel decorativo.
- Monte la cerradura junto con el panel decorativo de la cerradura.

6.5 Montaje de la cerradura (versión sin cerradura)

Desmontaje del cajón (fig. 7, página 7)

- Abra el cajón completamente.
- Presione el bloqueo del riel (A 1).
- Extraiga el cajón del armazón.
- Retire la junta (B 1).
- Retire la cubierta de la cerradura (B 2).
- Retire los embellecedores (C 1) de los tornillos del tirador de la puerta (C 3).
- Extraiga los tornillos (C 2) del tirador de la puerta (C 3).
- Retire el tirador (C 3).

Realización de los orificios (fig. 8, página 7)

- Realice un orificio de 25 mm de diámetro en el panel decorativo y en la puerta (A 1).
- Extraiga los tornillos (B 1) del marco decorativo (B 2).
- Retire el marco decorativo (B 2).

Montaje de la cerradura (fig. 9, página 8)

- Coloque la cubierta de la cerradura nueva (A 1) en su lugar.
- Coloque el panel decorativo (B 1) dentro del marco decorativo (B 3).
- Atornille el marco decorativo (B 3) a la puerta (B 2).
- Instale la cerradura de la puerta (C 1).
- Instale el cerradero en el armazón (D 1).

Montaje del cajón (fig. 10, página 8)

- Coloque la junta (1) en el marco del panel decorativo (2).

- Atornille el tirador (4) a la puerta.
- Coloque los embellecedores (3) sobre los tornillos del tirador de la puerta (4).
- Introduzca el cajón en el armario.

7 Manejo



¡AVISO! Peligro de ocasionar daños materiales

Únicamente el fabricante, un técnico de mantenimiento o una persona con cualificación similar podrá cambiar la bombilla con el fin de evitar peligros.

7.1 Ahorro de energía

- Abra el minibar solamente el tiempo y las veces que sea necesario.
- Antes de introducir alimentos calientes en el aparato, deje que se enfríen.
- No regule una temperatura innecesariamente baja en el interior.
- Para un consumo de energía óptimo, coloque los estantes y cajones en la misma posición que ocupan en el momento de la entrega.
- Compruebe periódicamente que la junta de la puerta encaja correctamente.
- Elimine regularmente el polvo y la suciedad del condensador.

7.2 Uso del minibar

El minibar empieza a enfriar cuando se conecta a la corriente. Durante el funcionamiento normal, el LED está iluminado. Si se produce un error, el LED de error parpadea (véase capítulo “Resolución de problemas” en la página 63).

7.3 Ajustar la temperatura

Tenga en cuenta lo siguiente para no desperdiciar alimentos:

- Procure que las oscilaciones de temperatura sean mínimas. Abra el minibar solamente el tiempo y las veces que sea necesario. Almacene los alimentos de manera que no impidan una buena circulación del aire.
- El minibar dispone de una función de regulación automática de la temperatura. Seleccione el promedio de los posibles valores de temperatura.
- Ajuste la temperatura a la cantidad y el tipo de alimentos.

El minibar viene ajustado de fábrica a una temperatura de refrigeración de 7 °C con una temperatura ambiente de 25 °C.

Puede utilizar el botón de ajuste (fig. **3** 4, página 4) para fijar la temperatura de refrigeración a uno de los tres valores siguientes: 5 °C, 12 °C y 7 °C.

Con cada pulsación, la temperatura cambiará en este orden: 5 °C ... 12 °C ... 7 °C ... 5 °C etc.

- ▶ Pulse el botón de ajuste (fig. **3** 4, página 4) y manténgalo apretado durante 5 segundos hasta que la lámpara interior (fig. **3** 1, página 4) empiece a parpadear.
- ▶ Vuelva a pulsar inmediatamente el botón de ajuste (fig. **3** 4, página 4).
- ✓ La lámpara interior (fig. **3** 1, página 4) indica la temperatura fijada:
 - 5 °C: la lámpara parpadea cinco veces en tres intervalos
 - 12 °C: la lámpara parpadea una vez en tres intervalos
 - 7 °C: la lámpara parpadea tres veces en tres intervalos

**NOTA**

El minibar ajusta la temperatura de refrigeración automáticamente a 7 °C cuando se conecta a la corriente.

8 Resolución de problemas

Fallo	Posible causa	Propuesta de solución
El aparato no funciona, el LED de estado no se ilumina.	No hay tensión en el enchufe de corriente alterna.	Intente utilizar otro enchufe.
	El adaptador de red eléctrica está averiado.	Contacte con un técnico de mantenimiento.
El aparato no enfría (la clavija está conectada, el LED de estado está encendido).	El elemento refrigerador está averiado.	Contacte con un técnico de mantenimiento.
El LED de error parpadea una vez por segundo.	El sensor de temperatura está averiado.	Contacte con un técnico de mantenimiento.
El LED de error parpadea dos veces por segundo.	El ventilador está averiado.	Contacte con un técnico de mantenimiento.
En aparato no enfría lo suficiente, el LED de estado está encendido y el LED de error no está encendido.	El elemento refrigerador está averiado.	Contacte con un técnico de mantenimiento.
	Mala ventilación	Compruebe la ventilación. Limpie el filtro que hay debajo del aparato.

9 Limpieza y cuidado



¡AVISO! ¡Peligro de ocasionar daños materiales!

- Nunca limpie la nevera bajo el chorro de agua corriente ni inmersa en agua jabonosa.
- No emplee productos de limpieza corrosivos u objetos que puedan arañar o deteriorar el aparato durante su limpieza.

- Limpie de vez en cuando el interior y el exterior de la nevera con un paño húmedo.
- Asegúrese de que las aberturas de ventilación y desaireación del aparato estén limpias de polvo para que se pueda evacuar el calor generado durante el funcionamiento y el aparato no resulte perjudicado.

- ▶ Limpie el filtro de entrada de vez en cuando.
- ▶ Si hay agua en la bandeja de goteo (fig. **2** 1, página 3), compruebe si el sistema de desagüe está bloqueado.

**¡AVISO! Peligro de ocasionar daños materiales**

Únicamente el fabricante, un técnico de mantenimiento o una persona con cualificación similar podrá cambiar la bombilla con el fin de evitar peligros.

10 Garantía

Rige el plazo de garantía legal. Si el producto presenta algún defecto, diríjase a su establecimiento especializado o a la sucursal del fabricante de su país (véase dometic.com/dealer).

Para la tramitación de la reparación y de la garantía debe enviar también los siguientes documentos:

- una copia de la factura con fecha de compra,
- el motivo de la reclamación o una descripción de la avería.

11 Gestión de residuos

- ▶ Deseche el material de embalaje en el contenedor de reciclaje correspondiente.



Cuando vaya a desechar definitivamente el producto, infórmese en el centro de reciclaje más cercano o en un comercio especializado sobre las normas pertinentes de eliminación de materiales.

12 Datos técnicos



Encontrará la declaración de conformidad UE actual para su aparato en la página correspondiente al producto en dometic.com o directamente a través del fabricante (véase dometic.com/dealer).

Encontrará más información sobre el producto a través del código QR de la etiqueta energética (ver figuras) o en el sitio eprel.ec.europa.eu.

El circuito de refrigeración contiene R134a.

Contiene gases de efecto invernadero fluorados

Aparato sellado herméticamente

	DM 20D	DM 20F
Tensión:	220 – 240 V~, 50/60 Hz	
Potencia de refrigeración:	máx. 20 °C por debajo de la temperatura ambiente (regulable en tres niveles: +5 °C, +7 °C, +12 °C)	
Categoría:	Bodega	
Volumen total:	20 l	
Clase de eficiencia energética:	G	
Consumo de potencia (a temperatura ambiente de +25 °C, refrigerador a +12 °C):	0,368 kWh/24 h	
Clase climática:	N	
Uso previsto a temperatura ambiente:	De +16 °C a +32 °C	
Emisión acústica:	15 dB(A)	
Cantidad de refrigerante:	48 g	
Equivalente de CO ₂ :	0,069 t	
Índice GWP (Global warming potential):	1430	
Dimensiones del cajón principal An x P x Al:	285 x 228,5 x 112 mm	
Dimensiones H x A x P (véase también fig. 11, página 9):	365 x 384 x 428 mm	365 x 384 x 398 mm
Peso:	12,3 kg	
Inspección/certificados:	 	

Leia atentamente as presentes instruções e siga todas as instruções, orientações e avisos incluídos neste manual, de modo a garantir a correta instalação, utilização e manutenção do produto. É OBRIGATÓRIO manter estas instruções junto com o produto.

Ao utilizar o produto, está a confirmar que leu atentamente todas as instruções, orientações e avisos, e que compreende e aceita cumprir os termos e condições estabelecidos no presente manual. Aceita utilizar este produto exclusivamente para o fim e a aplicação a que se destina e de acordo com as instruções, orientações e avisos estabelecidos neste manual, assim como de acordo com todas as leis e regulamentos aplicáveis. Caso não leia nem siga as instruções e os avisos aqui estabelecidos, poderá sofrer ferimentos pessoais ou causar ferimentos a terceiros e o produto ou outros materiais nas proximidades poderão ficar danificados. Este manual do produto, incluindo as instruções, orientações e avisos, bem como a documentação relacionada, podem estar sujeitos a alterações e atualizações. Para consultar as informações atualizadas do produto, visite www.domestic.com.

Índice

1	Explicação dos símbolos	66
2	Indicações de segurança	67
3	Material fornecido	70
4	Utilização adequada	71
5	Descrição técnica	72
6	Montagem	73
7	Operação	75
8	Resolução de falhas	77
9	Limpeza e manutenção	77
10	Garantia	78
11	Eliminação	78
12	Dados técnicos	78

1 Explicação dos símbolos



PERIGO!

Indicação de segurança sobre uma situação de perigo que leva à morte ou a ferimentos graves se não for evitada.



AVISO!

Indicação de segurança sobre uma situação de perigo que pode levar à morte ou a ferimentos graves se não for evitada.

**PRECAUÇÃO!**

Indicação de segurança sobre uma situação de perigo que pode levar a ferimentos ligeiros ou moderados se não for evitada.

**NOTA!**

Indicação sobre uma situação que leva a danos materiais se não for evitada.

**OBSERVAÇÃO**

Informações complementares sobre a operação do produto.

2 Indicações de segurança

2.1 Princípios básicos de segurança



AVISO! O incumprimento destes avisos poderá resultar em morte ou ferimentos graves.

Risco de eletrocussão

- Certifique-se de que o minibar foi instalado de acordo com as instruções de montagem por um técnico qualificado.
- Não coloque o minibar em funcionamento se este apresentar danos visíveis.
- Se o cabo de alimentação do minibar estiver danificado, terá de ser substituído pelo fabricante, pelo agente de assistência técnica ou por uma pessoa com qualificações equivalentes, a fim de evitar perigos.
- As reparações neste minibar só podem ser realizadas por técnicos qualificados. Reparções inadequadas podem originar perigos graves.

Perigo de incêndio

- O agente de refrigeração no circuito de refrigeração é altamente inflamável.
Em caso de danos no circuito de refrigeração:
 - Desligue o minibar.
 - Evite chamas abertas e faíscas.
 - Ventile bem o espaço.

Perigo de explosão

- Não guarde no minibar substâncias com risco de explosão, tais como, por exemplo, latas de spray com gás carburante.

Risco para a saúde

- Este minibar pode ser utilizado por crianças a partir dos 8 anos e pessoas com capacidades físicas, sensoriais ou mentais reduzidas ou sem experiência e conhecimento se forem supervisionadas ou receberem instruções sobre a utilização do aparelho de forma segura e compreenderem os perigos implicados.
- As crianças não podem brincar com o minibar.
- A limpeza e a manutenção não podem ser efetuadas por crianças sem supervisão.
- Crianças com idades entre os 3 e os 8 anos podem encher e esvaziar o minibar.

**PRECAUÇÃO! O incumprimento destas advertências poderá resultar em ferimentos ligeiros ou moderados.****Risco de esmagamento**

- Não mexa no encosto da tampa com os dedos.

Risco para a saúde

- Os alimentos devem ser armazenados exclusivamente nas embalagens originais ou em recipientes adequados.

**NOTA! Risco de danos**

- Verifique se a indicação de tensão na chapa de características corresponde à da fonte de alimentação existente.
- O minibar não se destina ao armazenamento de substâncias corrosivas ou que contenham solventes.
- O isolamento do aparelho de refrigeração contém ciclopentano inflamável e requer medidas de eliminação especiais. No fim da respetiva vida útil, encaminhe o aparelho de refrigeração para um centro de reciclagem adequado.
- Mantenha a abertura de escoamento sempre limpa.
- Não abra, em caso algum, o circuito de refrigeração.
- Transporte o minibar apenas na posição vertical.

2.2 Utilização segura do minibar



PERIGO! O incumprimento destes avisos resultará em morte ou ferimentos graves.

Risco de eletrocussão

- Nunca toque em cabos não blindados com as mãos desprotegidas.



PRECAUÇÃO! O incumprimento destas advertências poderá resultar em ferimentos ligeiros ou moderados.

Risco de eletrocussão

- Antes de colocar o minibar em funcionamento, certifique-se de que a conexão e a ficha estão secas.

Risco para a saúde

- Certifique-se de que coloca no minibar apenas produtos que possam ser refrigerados à temperatura selecionada.
- Os géneros alimentícios só podem ser guardados nas embalagens originais ou em recipientes adequados.
- Abrir a porta durante longos períodos pode provocar um aumento significativo da temperatura nos compartimentos do minibar.
- Limpe regularmente as superfícies que entram em contacto com géneros alimentícios e os sistemas de drenagem acessíveis.
- Se o minibar ficar vazio durante longos períodos:
 - Desligue o minibar.
 - Descongele o minibar.
 - Limpe e seque o minibar.
 - Deixe a porta aberta para impedir o crescimento de bolor no interior do minibar.



NOTA! Risco de danos

- Guarde os objetos pesados como, por exemplo, garrafas ou latas exclusivamente na porta do minibar ou na prateleira inferior.
- Não utilize aparelhos elétricos dentro do minibar, exceto se esses aparelhos forem recomendados pelo fabricante para o efeito.
- Não coloque o aparelho na proximidade de chamas vivas ou outras fontes de calor (aquecimento, radiação solar intensa, fogões a gás, etc.).
- Certifique-se de que as aberturas de ventilação não estão tapadas.
- Nunca mergulhe o minibar em água.
- Proteja o minibar e o cabo do calor e da humidade.

- Certifique-se de que os alimentos não entram em contacto com as paredes do espaço de refrigeração.



OBSERVAÇÃO

- Para temperaturas ambiente entre +15 °C e +25 °C, selecione a definição de temperatura média.

3 Material fornecido

Estão disponíveis as seguinte alternativas principais:

- Minibar DM20D com painel da porta, sem fechadura
- Minibar DM20D com painel da porta, com fechadura
- Minibar DM20F sem painel da porta, sem fechadura
- Minibar DM20F sem painel da porta, com fechadura

Quantidade	Descrição	
1	Minibar	
1	Cabo de conexão de corrente alternada	
2	Parafuso Ø 4 x 45 mm (instalação)	
2	Parafuso Ø 4 x 25 mm (instalação dos pés frontais)	
2	Parafuso M4 x 45 mm (instalação do puxador)	
2	Ficha (instalação)	
1	Pega	Apenas DM20D
2	Ficha (instalação da pega)	Apenas DM20D
2	Ficha (painel de madeira)	Apenas DM20F na versão em madeira
1	Decoração para a fechadura (painel de madeira)	Apenas DM20F na versão em madeira com fechadura
2	Legenda	Apenas versão com fechadura
1	Manual de montagem e operação	

4 Utilização adequada

O aparelho de refrigeração (também designado por “minibar”) destina-se a ser utilizado em edifícios fechados, tais como:

- Na cozinha do pessoal em estabelecimentos comerciais, escritórios e outros espaços de trabalho
- No setor agrícola
- Em hotéis, motéis e outros estabelecimentos de alojamento
- Em estabelecimentos “bed and breakfast”
- Em empresas de catering ou negócios grossistas semelhantes

O minibar não é adequado para ser montado em caravanas ou autocaravanas.

O minibar está concebido para a instalação num móvel ou num nicho de instalação.

O minibar destina-se exclusivamente à refrigeração e ao armazenamento de bebidas e alimentos em recipientes fechados.

O minibar não se destina ao armazenamento de alimentos frescos e de medicamentos nem ao congelamento de alimentos.

Este minibar destina-se exclusivamente à aplicação e aos fins pretendidos com base nestas instruções.

Este manual fornece informações necessárias para proceder a uma instalação e/ou a uma operação adequadas do minibar. Uma instalação e/ou uma operação ou manutenção incorretas causarão um desempenho insatisfatório e uma possível avaria.

O fabricante não aceita qualquer responsabilidade por danos ou prejuízos no produto resultantes de:

- Montagem ou ligação incorreta, incluindo sobretensões
- Manutenção incorreta ou utilização de peças sobressalentes não originais fornecidas pelo fabricante
- Alterações ao produto sem autorização expressa do fabricante
- Utilização para outras finalidades que não as descritas no presente manual

A Dometic reserva-se o direito de alterar o design e as especificações do produto.

5 Descrição técnica

O minibar possui uma gaveta com espaço para 12 latas (mais barras snack).

Aquando da entrega, as prateleiras e os compartimentos fornecidos estão posicionados de tal modo que o aparelho possa ser operado de forma energeticamente eficiente.

O minibar DM20D inclui um painel de antracite e um puxador.

O minibar DM20F é fornecido sem painel e preparado para a instalação da decoração de porta própria do hotel.

O seu sistema de refrigeração é uma refrigeração de Peltier sem desgaste.

Está disponível como opção uma fechadura.

5.1 Designação do aparelho

Lado anterior

N.º na fig. 1 , página 3	Descrição
1	Fechadura (opcional)
2	Puxador (DM20D only)
3	Painel da porta (apenas DM20D)

Lado posterior

N.º na fig. 2 , página 3	Descrição
1	Cuba coletora
2	Adaptador de rede

Painel de comando (no interior do aparelho)

N.º na fig. 3 , página 4	Descrição
1	Luz
2	LED de erro
3	LED de estado
4	Botão de ajuste

Gaveta principal

N.º na fig. 4 , página 4	Descrição
1	Separador
2	Sistema de fixação de garrafas

6 Montagem



PRECAUÇÃO! Risco para a saúde

Para evitar riscos devido à instabilidade do aparelho, este tem de ser fixado de acordo com as instruções.

6.1 Instruções para montagem num móvel

O minibar pode ser montado num móvel de quatro formas. Selecione a sua alternativa preferida (fig. **5**, página 5).

Respeite o seguinte:

- As dimensões do corte A x L x P devem ser as seguintes:
 - DM20D**: 385 x 404 x 428 mm
 - DM20F**: 385 x 404 x 426 + d mm
 "d" refere-se à espessura da decoração própria do hotel
- O espaço entre a parte posterior do minibar e a parede do móvel deve ser de aproximadamente 10 mm.
- É necessário fazer as aberturas de ventilação para a alternativa selecionada (fig. **5**, página 5).

- O ar que passa através da conduta de ar de entrada não pode ser aquecido por nenhuma fonte de calor (aquecedores, luz solar direta, fornos a gás, etc.).
- Fixe o frigorífico com parafusos adequados (fig. **6** 1 e 2, página 6).

6.2 Efetuar a ligação elétrica do minibar

- Ligue o cabo de conexão de corrente alternada à tomada de tensão CA e conecte-o a uma rede de corrente alternada.
- ✓ O LED de estado acende.
- ✓ O minibar começa a refrigerar o interior.

6.3 Montar a decoração de porta própria do hotel (apenas DM 20F)

A decoração de porta própria do hotel tem que respeitar os seguintes requisitos:

- Peso máximo: 2 kg
- Espessura máxima: 14 mm
- Fixe a decoração com quatro parafusos.

6.4 Montar a fechadura (apenas versão com fechadura)

- Faça um furo com um diâmetro de 35 mm na decoração.
- Monte a fechadura juntamente com a respetiva decoração.

6.5 Montar a fechadura (apenas versão sem fechadura)

Desmontar a gaveta (fig. **7**, página 7)

- Abra totalmente a gaveta.
- Exerça pressão no bloqueio da calha (**A 1**).
- Retire a gaveta do armário.
- Retire a vedação (**B 1**).
- Retire a cobertura da fechadura (**B 2**).
- Retire as tampas (**C 1**) dos parafusos do puxador da porta (**C 3**).
- Desaparafuse os parafusos (**C 2**) do puxador da porta (**C 3**).

- Retire o puxador da porta (**C 3**).

Fazer os furos (fig. **8**, página 7)

- Faça um furo com um diâmetro de 25 mm através da decoração e da porta (**A 1**).
- Desaparafuse os parafusos (**B 1**) da armação da decoração (**B 2**).
- Retire a armação da decoração (**B 2**).

Montar a fechadura (fig. **9**, página 8)

- Coloque a cobertura da fechadura nova (**A 1**) no devido local.
- Coloque a decoração (**B 1**) na armação da decoração (**B 3**).
- Aparafuse a armação da decoração (**B 3**) na porta (**B 2**).
- Instale a fechadura na porta (**C 1**).
- Instale o engate da fechadura no armário (**D 1**).

Montar a gaveta (fig. **10**, página 8)

- Instale a vedação (**1**) na armação da decoração (**2**).
- Aparafuse a pega (**4**) na porta.
- Coloque as tampas (**3**) nos parafusos da pega da porta (**4**).
- Coloque a gaveta no armário.

7 Operação



NOTA! Risco de danos

Para evitar perigos, a lâmpada só pode ser substituída pelo fabricante, por um agente de serviços autorizado ou por uma pessoa com qualificação semelhante.

7.1 Poupar energia

- Abra o minibar apenas as vezes que forem necessárias e apenas durante o tempo necessário.
- Primeiro, deixe as refeições quentes arrefecer antes de as refrigerar no aparelho.
- Evite temperaturas internas desnecessariamente baixas.

- Para um consumo de energia otimizado, posicione as prateleiras e as gavetas na posição original de entrega.
- Verifique regularmente se a vedação da porta ainda está corretamente encaixada.
- Limpe o pó e a sujidade do condensador regularmente.

7.2 Usar o minibar

O minibar começa a refrigerar quando é ligado à corrente. Durante a operação normal, o LED de estado está aceso. Se ocorrer um erro, o LED de erro pisca (ver capítulo “Resolução de falhas” na página 77).

7.3 Definir a temperatura

Para evitar desperdício alimentar, observe o seguinte:

- Mantenha as oscilações de temperatura o mais reduzidas possível. Abra o minibar apenas as vezes que forem necessárias e apenas durante o tempo necessário. Armazene os alimentos de modo a que o ar continue a circular bem.
- O minibar está equipado com uma função de regulação da temperatura automática. Selecione a média dos valores de temperatura possíveis.
- Ajuste a temperatura à quantidade e ao tipo de alimentos.

Por defeito, o minibar está ajustado para uma temperatura de refrigeração de 7 °C a uma temperatura ambiente de 25 °C.

Pode utilizar o botão de ajuste (fig. **3** 4, página 4) para definir a temperatura de refrigeração com um destes três valores: 5 °C, 12 °C e 7 °C.

Assim, a temperatura mudará na seguinte ordem: 5 °C ... 12 °C ... 7 °C ... 5 °C, etc.

- ▶ Prima o botão de ajuste (fig. **3** 4, página 4) e mantenha-o premido durante 5 s até a lâmpada (fig. **3** 1, página 4) começar a piscar.
- ▶ Prima de imediato o botão de ajuste (fig. **3** 4, página 4) novamente.
- ✓ A lâmpada (fig. **3** 1, página 4) indica a temperatura selecionada:
 - 5 °C: a lâmpada pisca cinco vezes em três intervalos
 - 12 °C: a lâmpada pisca uma vez em três intervalos
 - 7 °C: a lâmpada pisca três vezes em três intervalos



OBSERVAÇÃO

O minibar ajusta automaticamente a temperatura de refrigeração para 7 °C, quando é ligado a uma fonte de energia.

8 Resolução de falhas

Falha	Possível causa	Sugestão de solução
O aparelho não funciona, o LED de estado não acende.	Não existe tensão na tomada de tensão de corrente alternada.	Tente novamente noutra tomada.
	O adaptador de rede está danificado.	Contacte o agente de assistência técnica.
O aparelho não refrigera (ficha inserida na tomada, LED de estado acesso).	O elemento de refrigeração está avariado.	Contacte o agente de assistência técnica.
O LED de erro pisca uma vez por segundo.	O sensor da temperatura está avariado.	Contacte o agente de assistência técnica.
O LED de erro pisca duas vezes por segundo.	O ventilador está danificado.	Contacte o agente de assistência técnica.
O aparelho não refrigera o suficiente, o LED de estado acende, o LED de erro não acende.	O elemento de refrigeração está avariado.	Contacte o agente de assistência técnica.
	Ventilação fraca.	Verifique a ventilação. Limpe o filtro por baixo do aparelho.

9 Limpeza e manutenção



NOTA! Perigo de danos!

- Nunca limpe a geleira debaixo de água corrente nem dentro de água de lavar a loiça.
- Não utilize produtos de limpeza abrasivos ou objectos duros para a limpeza, uma vez que podem danificar a geleira.

- De vez em quando, limpe o interior e o exterior do aparelho com um pano húmido.
- Certifique-se que as aberturas de ventilação e extracção de ar do aparelho estão livres de pó e sujidade para que, durante o funcionamento, o ar quente possa ser extraído e o aparelho não seja danificado.

- ▶ Limpe ocasionalmente o filtro de entrada.
- ▶ Se detetar a presença de água na cuba coletora (fig. **2** 1, página 3) verifique se o sistema de escoamento está obstruído.

**NOTA! Risco de danos**

Para evitar perigos, a lâmpada só pode ser substituída pelo fabricante, por um agente de serviços autorizado ou por uma pessoa com qualificação semelhante.

10 Garantia

É válido o prazo de garantia legal. Se o produto estiver com defeito, por favor, dirija-se ao seu revendedor ou à representação do fabricante no seu país (ver dometic.com/dealer).

Para fins de reparação ou de garantia, terá de enviar os seguintes documentos em conjunto:

- uma cópia da factura com a data de aquisição,
- um motivo de reclamação ou uma descrição da falha.

11 Eliminação

- ▶ Sempre que possível, coloque o material de embalagem no respectivo contentor de reciclagem.



Para colocar o aparelho definitivamente fora de funcionamento, por favor, informe-se junto do centro de reciclagem mais próximo ou revendedor sobre as disposições de eliminação aplicáveis.

12 Dados técnicos


A atual declaração de conformidade UE do seu aparelho pode ser obtida na respetiva página do produto, em dometic.com, ou solicitada diretamente ao fabricante (ver dometic.com/dealer).

Consulte mais informações sobre o produto através do código QR existente no rótulo energético (ver imagens) ou em eprel.ec.europa.eu.

O circuito de refrigeração contém R134a.

Contém gases fluorados com efeito de estufa

Equipamento hermeticamente fechado

	DM 20D	DM 20F
Tensão:	220 – 240 V~, 50/60 Hz	
Potência de refrigeração:	máx. 20 °C abaixo da temperatura ambiente (ajustável em três valores: +5 °C, +7 °C, +12 °C)	
Categoria:	cave	
Volume total:	20 l	
Classe de eficiência energética:	G	
Consumo (a uma temperatura ambiente de +25 °C, frigorífico a +12 °C):	0,368 kWh/24 h	
Classe de climatização:	N	
Temperatura ambiente com a utiliza- ção prevista:	+16 °C a +32 °C	
Emissão de ruído:	15 dB(A)	
Quantidade de agente de refrigera- ção:	48 g	
Equivalente a CO ₂ :	0,069 t	
Potencial de aquecimento global (PAG):	1430	
Dimensões da gaveta principal L x P x A:	285 x 228,5 x 112 mm	
Dimensões A x L x P (ver também fig. 11, página 9):	365 x 384 x 428 mm	365 x 384 x 398 mm
Peso:	12,3 kg	
Inspeção/certificação:		

Si prega di leggere attentamente e di seguire tutte le istruzioni, le linee guida e le avvertenze incluse in questo manuale del prodotto, al fine di garantire che il prodotto venga sempre installato, utilizzato e mantenuto nel modo corretto. Queste istruzioni DEVONO essere conservate insieme al prodotto.

Utilizzando il prodotto, l'utente conferma di aver letto attentamente tutte le istruzioni, le linee guida e le avvertenze e di aver compreso e accettato di rispettare i termini e le condizioni qui espressamente indicati. L'utente accetta di utilizzare questo prodotto solo per lo scopo e l'applicazione previsti e in conformità con le istruzioni, le linee guida e le avvertenze indicate nel presente manuale del prodotto, nonché in conformità con tutte le leggi e i regolamenti applicabili. La mancata lettura e osservanza delle istruzioni e delle avvertenze qui espressamente indicate può causare lesioni personali e a terzi, danni al prodotto o ad altre proprietà nelle vicinanze. Il presente manuale del prodotto, comprese le istruzioni, le linee guida e le avvertenze e la relativa documentazione possono essere soggetti a modifiche e aggiornamenti. Per informazioni aggiornate sul prodotto, si prega di visitare il sito www.dometic.com.

Indice

1	Spiegazione dei simboli	80
2	Istruzioni per la sicurezza	81
3	Dotazione	84
4	Conformità d'uso	84
5	Descrizione delle caratteristiche tecniche	85
6	Montaggio	87
7	Utilizzo	89
8	Eliminazione dei guasti	91
9	Pulizia e manutenzione	91
10	Garanzia	92
11	Smaltimento	92
12	Specifiche tecniche.	92

1 Spiegazione dei simboli



PERICOLO!

Indicazione di sicurezza che segnala una situazione di pericolo che se non evitata provoca morte o gravi lesioni.



AVVERTENZA!

Indicazione di sicurezza che segnala una situazione di pericolo che se non evitata può provocare morte o gravi lesioni.

**ATTENZIONE!**

Indicazione di sicurezza che segnala una situazione di pericolo che se non evitata può provocare lesioni lievi o di gravità media.

**AVVISO!**

Indicazione di una situazione che se non evitata può provocare danni materiali.

**NOTA**

Informazioni integranti relative all'impiego del prodotto.

2 Istruzioni per la sicurezza

2.1 Sicurezza generale



AVVERTENZA! La mancata osservanza di queste avvertenze potrebbe causare la morte o lesioni gravi.

Pericolo di scosse elettriche

- Assicurarsi che il minibar sia stato installato da un tecnico qualificato secondo quanto descritto nel manuale di installazione Dometic.
- Non mettere in funzione il minibar se presenta danni visibili.
- Per evitare possibili pericoli legati alla sicurezza, se il cavo di collegamento del minibar è danneggiato deve essere sostituito dal produttore, da un addetto all'assistenza oppure da personale ugualmente qualificato.
- Questo minibar può essere riparato solo da personale qualificato. Le riparazioni effettuate in modo scorretto possono causare gravi pericoli.

Pericolo di incendio

- Il refrigerante nel circuito di raffreddamento è altamente infiammabile. In caso di danneggiamento del circuito di raffreddamento:
 - Spegnerne il minibar.
 - Evitare fiamme libere e scintille.
 - Aerare bene l'ambiente.

Pericolo di esplosione

- Non conservare nel minibar sostanze esplosive come ad es. bombolette spray con gas propellente.

Pericolo per la salute

- Questo minibar può essere utilizzato da bambini di età superiore a 8 anni, da persone con ridotte capacità fisiche, sensoriali o mentali o da persone inesperte o prive di conoscenze specifiche solo se sorvegliate o preventivamente istruite sull'impiego dell'apparecchio in sicurezza e se informate dei pericoli legati al prodotto stesso.
- I bambini non devono giocare con il minibar.
- La pulizia e la manutenzione non devono essere eseguite da bambini senza la presenza di un adulto.
- I bambini dai 3 agli 8 anni possono riempire e svuotare il minibar.



ATTENZIONE! La mancata osservanza di queste precauzioni potrebbe causare lesioni lievi o moderate.

Pericolo di schiacciamento

- Non mettere le dita nella cerniera.

Pericolo per la salute

- I prodotti alimentari possono essere conservati solo nelle confezioni originali o in contenitori adeguati.

**AVVISO! Rischio di danni**

- Confrontare i dati della tensione riportati sulla targhetta con quelli delle prese e degli attacchi disponibili.
- Il minibar non è adatto per la conservazione di sostanze corrosive o solventi.
- L'isolamento del frigorifero contiene ciclopentano infiammabile e necessita di procedure speciali per lo smaltimento. Al termine del suo ciclo di vita consegnare il frigorifero portatile presso un centro di riciclaggio adatto.
- Mantenere l'apertura di scarico sempre pulita.
- Non aprire in nessun caso il circuito di raffreddamento.
- Trasportare il minibar solo in posizione verticale.

2.2 Sicurezza durante l'utilizzo del minibar



PERICOLO! La mancata osservanza di queste avvertenze può causare la morte o lesioni gravi.

Pericolo di scosse elettriche

- Non toccare mai i cavi esposti a mani nude.



ATTENZIONE! La mancata osservanza di queste precauzioni potrebbe causare lesioni lievi o moderate.

Pericolo di scosse elettriche

- Prima della messa in funzione del minibar, assicurarsi che la rete di alimentazione e la spina siano asciutte.

Pericolo per la salute

- Assicurarsi che nel minibar si trovino solo oggetti o prodotti che possono essere raffreddati alla temperatura selezionata.
- I generi alimentari possono essere conservati solo nelle confezioni originali o in contenitori adatti.
- L'apertura prolungata della porta può causare un significativo aumento della temperatura nei vani del minibar.
- Pulire regolarmente le superfici che vengono a contatto con gli alimenti e i sistemi di scarico accessibili.
- Se il minibar viene lasciato vuoto per lunghi periodi:
 - Spegnerne il minibar.
 - Sbrinare il minibar.
 - Pulire e asciugare il minibar.
 - Lasciare la porta aperta per evitare lo sviluppo di muffe all'interno del minibar.



AVVISO! Rischio di danni

- Posizionare oggetti pesanti come ad es. bottiglie o lattine esclusivamente nella porta del minibar o sulla griglia inferiore.
- Non utilizzare apparecchi elettrici all'interno del minibar, ad eccezione di quelli consigliati dal produttore.
- Non collocare l'apparecchio nelle vicinanze di fiamme libere o altre fonti di calore (riscaldamento, intensa esposizione ai raggi solari, forni a gas ecc.).
- Assicurarsi che le aperture di aerazione non siano ostruite.
- Non immergere mai il minibar in acqua.
- Proteggere il minibar e il cavo dal caldo e dall'umidità.
- Fare attenzione che gli alimenti non entrino in contatto con le pareti della zona di raffreddamento.



NOTA

- Con temperature ambiente comprese tra +15 °C e +25 °C, selezionare la regolazione media della temperatura.

3 Dotazione

Si possono ottenere le seguenti alternative principali:

- Minibar DM20D con pannello porta, senza serratura
- Minibar DM20D con pannello porta, con serratura
- Minibar DM20F senza pannello porta, senza serratura
- Minibar DM20F con pannello porta, senza serratura

Quantità	Descrizione	
1	Minibar	
1	Cavo di collegamento della corrente alternata	
2	Vite Ø 4 x 45 mm (installazione)	
2	Vite Ø 4 x 25 mm (installazione dei piedini anteriori)	
2	Vite M4 x 45 mm (installazione maniglia)	
2	Tappo (installazione)	
1	Maniglia	Solo DM20D
2	Tappo (installazione maniglia)	Solo DM20D
2	Tappo (pannello di legno)	Solo DM20F versione in legno
1	Decoro serratura (pannello di legno)	Solo DM20F versione in legno con serratura
2	Legenda	Solo versione con serratura
1	Istruzioni di montaggio e d'uso	

4 Conformità d'uso

L'apparecchio di refrigerazione (chiamato anche minibar) è progettato per il funzionamento in edifici chiusi, come ad esempio:

- nelle cucine per il personale di negozi, uffici e altre aree di lavoro
- nel settore agricolo
- in hotel, motel e altre strutture ricettive
- nei bed and breakfast
- nelle attività di ristorazione o in analoghe attività di all'ingrosso.

Il minibar non è adatto per l'installazione in camper o caravan.

Il minibar è destinato all'installazione in un mobile o in una nicchia di installazione.

Il minibar è progettato esclusivamente per il raffreddamento e la conservazione di bevande e alimenti in contenitori chiusi.

Il minibar non è adatto alla conservazione di alimenti freschi e medicinali o al congelamento di alimenti.

Questo minibar è adatto solo per l'uso e l'applicazione previsti in conformità alle presenti istruzioni.

Questo manuale fornisce le informazioni necessarie per la corretta installazione e/o il corretto utilizzo del minibar. Un'installazione errata e/o un utilizzo o una manutenzione impropri comporteranno prestazioni insoddisfacenti e un possibile guasto.

Il produttore non si assume alcuna responsabilità per eventuali lesioni o danni al prodotto che derivino da:

- montaggio o collegamento non corretti, compresa la sovratensione
- manutenzione non corretta o uso di ricambi diversi da quelli originali forniti dal produttore
- modifiche al prodotto senza esplicita autorizzazione del produttore
- impiego per fini diversi rispetto a quelli descritti nel presente manuale

Dometic si riserva il diritto di modificare l'aspetto e le specifiche del prodotto.

5 Descrizione delle caratteristiche tecniche

Il minibar ha un cassetto con spazio per 12 lattine (più barrette snack).

Alla consegna i ripiani e gli scomparti forniti sono posizionati in modo che l'apparecchio possa essere utilizzato in modo efficiente dal punto di vista energetico.

Il minibar DM20D è dotato di un pannello antracite e di una maniglia a tirare.

Il minibar DM20F viene consegnato senza pannello ed è predisposto per il montaggio del decoro della porta dell'hotel.

Il suo sistema di raffreddamento è un sistema di raffreddamento Peltier non soggetto a usura.

Una serratura è disponibile come optional.

5.1 Descrizione dell'apparecchio

Lato anteriore

N. nella fig. 1 , pagina 3	Descrizione
1	Serratura (opzionale)
2	Maniglia (solo DM20D)
3	Pannello porta (solo DM20D)

Lato posteriore

N. nella fig. 2 , pagina 3	Descrizione
1	Vaschetta di sgocciolamento
2	Alimentatore

Pannello di controllo (all'interno del dispositivo)

N. nella fig. 3 , pagina 4	Descrizione
1	Lampada
2	LED di errore
3	LED di stato
4	Tasto di impostazione

Cassetto principale

N. nella fig. 4 , pagina 4	Descrizione
1	Divisore
2	Fermabottiglie

6 Montaggio



ATTENZIONE! Pericolo per la salute

Per evitare pericoli a causa dell'instabilità dell'apparecchio, fissarlo secondo le istruzioni.

6.1 Note per il montaggio nel mobile

Il minibar può essere montato nel mobile in quattro modi. Scegliere l'alternativa preferita (fig. **5**, pagina 5).

Osservare quanto segue:

- Le dimensioni dell'apertura A x L x P sono:
 - **DM20D**: 385 x 404 x 428 mm
 - **DM20F**: 385 x 404 x 426 + d mm
d è lo spessore del decoro dell'hotel
 - La distanza tra il retro del minibar e la parete dovrebbe essere di circa 10 mm.
 - Si devono realizzare le aperture di ventilazione per l'alternativa scelta (fig. **5**, pagina 5).
 - L'aria che passa attraverso il condotto dell'aria in ingresso non deve essere riscaldata da fonti di calore (termosifoni, luce solare diretta, forni a gas ecc.).
- Fissare il frigorifero con viti idonee (fig. **6** 1 e 2, pagina 6).

6.2 Allacciamento elettrico del minibar

- Inserire il cavo di collegamento della corrente alternata nella presa di corrente alternata e collegarlo alla rete di alimentazione alternata.
- ✓ Il LED di stato si accende.
- ✓ Il minibar inizia a raffreddare l'interno.

6.3 Montaggio del decoro dell'hotel (solo DM 20F)

Il decoro della porta dell'hotel deve essere conforme ai seguenti requisiti:

- Peso massimo: 2 kg
 - Spessore massimo: 14 mm
- Fissare il decoro con quattro viti.

6.4 Montaggio della serratura (solo versione con serratura)

- ▶ Praticare un foro con un diametro di 35 mm nel decoro.
- ▶ Montare la serratura insieme al decoro della serratura.

6.5 Montaggio della serratura (solo versione senza serratura)

Smontaggio del cassetto (fig. 7, pagina 7)

- ▶ Aprire completamente il cassetto.
- ▶ Premere il blocco della guida (A 1).
- ▶ Estrarre il cassetto dalla struttura.
- ▶ Rimuovere la guarnizione (B 1).
- ▶ Rimuovere la copertura della serratura (B 2).
- ▶ Togliere i tappi (C 1) dalle viti della maniglia della porta (C 3).
- ▶ Svitare le viti (C 2) della maniglia della porta (C 3).
- ▶ Rimuovere la maniglia della porta (C 3).

Praticare i fori (fig. 8, pagina 7)

- ▶ Praticare un foro con un diametro di 25 mm attraverso il decoro e la porta (A 1).
- ▶ Svitare le viti (B 1) del telaio del decoro (B 2).
- ▶ Rimuovere il telaio del decoro (B 2).

Montaggio della serratura (fig. 9, pagina 8)

- ▶ Mettere la nuova copertura della serratura (A 1) in posizione.
- ▶ Inserire il decoro (B 1) nel telaio del decoro (B 3).
- ▶ Avvitare il telaio del decoro (B 3) sulla porta (B 2).
- ▶ Installare la serratura della porta (C 1).
- ▶ Installare il fermo della serratura nella struttura (D 1).

Montaggio del cassetto (fig. 10, pagina 8)

- ▶ Spingere la guarnizione (1) sul telaio del decoro (2).

- Avvitare la maniglia della porta (4) alla porta.
- Inserire i tappi (3) sulle viti della maniglia della porta (4).
- Spingere il cassetto nella struttura.

7 Utilizzo



AVVISO! Rischio di danni

Per prevenire rischi, la lampadina può essere sostituita soltanto dal produttore, da un tecnico di assistenza o da una persona dotata di qualifica analoga.

7.1 Risparmio energetico

- Aprire il minibar solo se necessario e per il tempo necessario.
- Prima di immagazzinare cibi caldi nel dispositivo, lasciarli prima raffreddare.
- Evitare un abbassamento eccessivo della temperatura interna se non necessario.
- Per un consumo energetico ottimale, posizionare i ripiani e i cassette in base alla loro posizione al momento della consegna.
- Controllare regolarmente che la guarnizione della porta aderisca bene.
- Ad intervalli regolari, eliminare dal condensatore polvere ed eventuali impurità.

7.2 Utilizzo del minibar

Il minibar inizia a raffreddare quando è collegato alla corrente. Durante il normale funzionamento il LED di stato è acceso. Se si verifica un errore, il LED di errore lampeggia (vedi capitolo "Eliminazione dei guasti" a pagina 91).

7.3 Regolazione della temperatura

Per evitare spreco di cibo, considerare quanto segue:

- Ridurre al minimo le variazioni di temperatura. Aprire il minibar solo se necessario e per il tempo necessario. Conservare gli alimenti in modo che l'aria possa continuare a circolare bene.
- Il minibar è dotato di una funzione di regolazione della temperatura automatica. Selezionare la media dei possibili valori di temperatura.
- Regolare la temperatura in base alla quantità e al tipo di alimenti.

Il minibar è impostato di default a una temperatura di raffreddamento di 7 °C ad una temperatura ambiente di 25 °C.

Con il tasto di impostazione (fig. **3** 4, pagina 4) si può impostare la temperatura di raffreddamento su uno dei tre valori: 5 °C, 12 °C e 7 °C.

In questo modo la temperatura verrà modificata nell'ordine 5 °C ... 12 °C ... 7 °C ... 5 °C ecc.

- ▶ Premere il tasto di impostazione (fig. **3** 4, pagina 4) e tenerlo premuto per 5 s, fino a quando la spia (fig. **3** 1, pagina 4) non inizia a lampeggiare.
- ▶ Premere di nuovo immediatamente il tasto di impostazione (fig. **3** 4, pagina 4).
- ✓ La spia (fig. **3** 1, pagina 4) indica la temperatura di impostazione:
 - 5 °C: la spia lampeggia cinque volte in tre intervalli
 - 12 °C: la spia lampeggia una volta in tre intervalli
 - 7 °C: la spia lampeggia tre volte in tre intervalli

**NOTA**

Il minibar imposta automaticamente la temperatura di raffreddamento a 7 °C quando è collegato a una fonte di alimentazione.

8 Eliminazione dei guasti

Guasto	Possibile causa	Rimedio
L'apparecchio non funziona, il LED di stato è spento.	Nella presa CA non c'è tensione.	Provare a collegare il dispositivo a un'altra presa a spina.
	L'alimentatore è difettoso.	Contattare il servizio di assistenza.
L'apparecchio non raffredda (la spina è inserita nella presa, il LED di stato è acceso).	L'elemento raffreddante è difettoso.	Contattare il servizio di assistenza.
Il LED di errore lampeggia una volta al secondo.	Il sensore di temperatura è difettoso.	Contattare il servizio di assistenza.
Il LED di errore lampeggia due volte al secondo.	La ventola è guasta.	Contattare il servizio di assistenza.
L'apparecchio non raffredda a sufficienza, il LED di stato lampeggia, il LED di errore non si accende.	L'elemento raffreddante è difettoso.	Contattare il servizio di assistenza.
	Scarsa ventilazione	Controllare la ventilazione. Pulire il filtro sotto l'apparecchio.

9 Pulizia e manutenzione



AVVISO! Pericolo di danni!

- Non lavare mai il frigorifero sotto acqua corrente e non immergerlo in acqua per risciacquarlo.
- Per la pulizia non impiegare detersivi corrosivi oppure oggetti ruvidi, perché potrebbero danneggiare il frigorifero.

- Pulire l'interno e l'esterno dell'apparecchio di tanto in tanto con un panno umido.
- Assicurarsi che le aperture di aerazione e disaerazione dell'apparecchio siano prive di polvere e sporczia in modo da permettere, al calore generato durante il funzionamento, di fuoriuscire e non danneggiare l'apparecchio.

- Occasionalmente pulire il filtro di ingresso.
- Se si trova acqua nella vaschetta di sgocciolamento (fig. **2** 1, pagina 3) controllare se il sistema di drenaggio è bloccato.

**AVVISO! Rischio di danni**

Per prevenire rischi, la lampadina può essere sostituita soltanto dal produttore, da un tecnico di assistenza o da una persona dotata di qualifica analoga.

10 Garanzia

Vale il termine di garanzia previsto dalla legge. Qualora il prodotto risultasse difettoso, La preghiamo di rivolgersi al proprio rivenditore specializzato o alla filiale del produttore del suo Paese (vedi dometic.com/dealer).

Per la riparazione e per il disbrigo delle condizioni di garanzia è necessario inviare la seguente documentazione:

- una copia della fattura con la data di acquisto del prodotto,
- un motivo su cui fondare il reclamo, oppure una descrizione del guasto.

11 Smaltimento

- Raccogliere il materiale di imballaggio possibilmente negli appositi contenitori di riciclaggio.



Quando il prodotto viene messo fuori servizio definitivamente, informarsi al centro di riciclaggio più vicino, oppure presso il proprio rivenditore specializzato, sulle prescrizioni adeguate concernenti lo smaltimento.

12 Specifiche tecniche


L'attuale dichiarazione di conformità UE per il proprio apparecchio è disponibile sulla relativa pagina del prodotto al sito dometic.com o direttamente tramite il produttore (vedi dometic.com/dealer).

Ulteriori informazioni sul prodotto sono accessibili tramite il codice QR sull'etichetta energetica (vedi figure) o al sito eprel.ec.europa.eu.

Il circuito di raffreddamento contiene R134a.

Contiene gas fluorurati a effetto serra

Apparecchiature ermeticamente sigillate

	DM 20D	DM 20F
Tensione:	220 – 240 V~, 50/60 Hz	
Capacità di raffreddamento:	fino a max 20 °C al di sotto della temperatura ambiente (regolabile in tre passi: +5 °C, +7 °C, +12 °C)	
Categoria:	cantina	
Volume totale:	20 l	
Classe di efficienza energetica:	G	
Potenza assorbita (frigorifero a temperatura ambiente di +25 °C, +12 °C):	0,368 kWh/24 h	
Classe climatica:	N	
Uso a temperatura ambiente previsto:	+16 °C - +32 °C	
Emissioni acustiche:	15 dB(A)	
Quantità di refrigerante:	48 g	
CO ₂ equivalente:	0,069 t	
Potenziale di riscaldamento globale (GWP):	1430	
Dimensioni cassetto principale L x P x H:	285 x 228,5 x 112 mm	
Dimensioni A x L x P (vedi anche fig. 11 , pagina 9):	365 x 384 x 428 mm	365 x 384 x 398 mm
Peso:	12,3 kg	
Ispezione/certificazione:		

Lees alle instructies, richtlijnen en waarschuwingen in deze gebruiksaanwijzing en volg ze zorgvuldig op om ervoor te zorgen dat u het product te allen tijde op de juiste manier installeert, gebruikt en onderhoudt. Deze instructies MOETEN bij dit product bewaard worden.

Door het product te gebruiken, bevestigt u hierbij dat u alle instructies, richtlijnen en waarschuwingen zorgvuldig hebt gelezen en dat u de voorwaarden en condities zoals die hierin zijn beschreven begrijpt en accepteert. U gaat ermee akkoord dit product alleen te gebruiken voor het beoogde doel en de beoogde toepassing en in overeenstemming met de instructies, richtlijnen en waarschuwingen zoals beschreven in deze gebruiksaanwijzing en in overeenstemming met de geldende wet- en regelgeving. Het niet lezen en opvolgen van de hierin beschreven instructies en waarschuwingen kan leiden tot letsel voor uzelf en anderen, schade aan uw product of schade aan andere eigendommen in de omgeving. Deze gebruiksaanwijzing, met inbegrip van de instructies, richtlijnen en waarschuwingen, en de bijbehorende documentatie kan onderhevig zijn aan wijzigingen en updates. Actuele productinformatie vindt u op www.dometic.com.

Inhoudsopgave

1	Verklaring van de symbolen	94
2	Veiligheidsaanwijzingen	95
3	Omvang van de levering	98
4	Beoogd gebruik	98
5	Technische beschrijving	100
6	Montage	101
7	Gebruik	103
8	Verhelpen van storingen	105
9	Reiniging en onderhoud	105
10	Garantie	106
11	Afvoer	106
12	Technische gegevens	106

1 Verklaring van de symbolen



GEVAAR!

Veiligheidsaanwijzing met betrekking tot een gevaarlijke situatie die leidt tot ernstig letsel of de dood, als deze niet wordt vermeden.



WAARSCHUWING!

Veiligheidsaanwijzing met betrekking tot een gevaarlijke situatie die kan leiden tot ernstig letsel of de dood, als deze niet wordt vermeden.

**VOORZICHTIG!**

Veiligheidsaanwijzing met betrekking tot een gevaarlijke situatie die kan leiden tot licht of gemiddeld letsel, als deze niet wordt vermeden.

**LET OP!**

Aanwijzing met betrekking tot een situatie die kan leiden tot materiële schade, als deze niet wordt vermeden.

**INSTRUCTIE**

Meer informatie over de bediening van het product.

2 Veiligheidsaanwijzingen

2.1 Algemene veiligheid



WAARSCHUWING! Het niet in acht nemen van deze waarschuwingen kan leiden tot ernstig letsel of de dood.

Gevaar voor elektrische schokken

- Zorg ervoor dat de minibar wordt geïnstalleerd door een gekwalificeerd technicus en in overeenstemming met de Dometic-montagehandleiding.
- Gebruik de minibar niet als deze zichtbaar beschadigd is.
- Als de stroomkabel van de minibar beschadigd is, moet deze, om gevaren te voorkomen, worden vervangen door de fabrikant, diens klantenservice of een gelijkwaardig gekwalificeerd persoon.
- Deze minibar mag uitsluitend worden gerepareerd door gekwalificeerde personen. Door ondeskundige reparaties kunnen grote gevaren ontstaan.

Brandgevaar

- Het koelmiddel in de koelkring is licht ontvlambaar.
In geval van beschadiging van de koelkring:
 - Schakel de minibar uit.
 - Vermijd open vuur en vonken.
 - Ventileer de ruimte goed.

Explosiegevaar

- Bewaar geen explosiegevaarlijke stoffen in de minibar, zoals spuitbussen met drijfgas.

Gevaar voor de gezondheid

- Deze minibar mag worden gebruikt door kinderen vanaf 8 jaar en ouder evenals door personen met verminderd fysiek, zintuiglijk of mentaal vermogen of gebrek aan kennis en ervaring, mits zij onder toezicht staan of zijn geïnstrueerd in het veilig gebruik van de minibar en zij inzicht hebben in de gevaren die het gebruik van de minibar met zich meebrengt.
- Kinderen mogen niet met de minibar spelen.
- Reiniging en gebruikersonderhoud mogen niet door kinderen zonder toezicht worden uitgevoerd.
- Kinderen van 3 tot 8 jaar mogen de minibar alleen in- en uitruimen.

**VOORZICHTIG! Het niet in acht nemen van deze waarschuwingen kan leiden tot licht of matig letsel.****Gevaar voor beknelling**

- Grijp niet in het scharnier.

Gevaar voor de gezondheid

- Levensmiddelen mogen alleen in de originele verpakking of in geschikte bakken worden bewaard.

**LET OP! Gevaar voor schade**

- Controleer of de spanning op het typeplaatje overeenkomt met de aanwezige energievoorziening.
- De minibar is niet geschikt voor de opslag van bijtende of oplosmiddelhoudende stoffen.
- De isolatie van het koeltoestel bevat ontvlambare cyclopentanen en vereist speciale verwerkingsprocedures. Breng het koeltoestel aan einde van zijn levensduur naar een erkend afvalverwerkingsbedrijf.
- Houd de afvoerleiding altijd schoon.
- Open in geen geval de koelkring.
- Draag de minibar uitsluitend rechtop.

2.2 De minibar veilig gebruiken

**GEVAAR! Het niet in acht nemen van deze waarschuwingen leidt tot ernstig letsel of de dood.****Gevaar voor elektrische schokken**

- Raak blanke leidingen nooit met blote handen aan.



VOORZICHTIG! Het niet in acht nemen van deze waarschuwingen kan leiden tot licht of matig letsel.

Gevaar voor elektrische schokken

- Let er voor de ingebruikname van de minibar op dat voedingskabel en stekker droog zijn.

Gevaar voor de gezondheid

- Zorg ervoor dat u alleen voorwerpen in de minibar legt die op de gekozen temperatuur gekoeld mogen worden.
- Levensmiddelen mogen alleen in de originele verpakking of in geschikte bakken worden bewaard.
- Langdurig openen van de deur kan leiden tot een aanzienlijke temperatuurstijging in de compartimenten van de minibar.
- Reinig oppervlakken die in contact komen met voedsel en aftapsystemen regelmatig.
- Als de minibar voor een langere periode leeg wordt gehouden:
 - Schakel de minibar uit.
 - Ontdooi de minibar.
 - Reinig en droog de minibar.
 - Laat de deur open om schimmelvorming in de minibar te voorkomen.



LET OP! Gevaar voor schade

- Bewaar zware voorwerpen zoals flessen of conserven uitsluitend in de deur van de minibar of op de onderste legplank.
- Gebruik geen elektrische apparaten in de minibar, behalve als deze elektrische apparaten daarvoor door de fabrikant worden aanbevolen.
- Plaats het toestel niet in de buurt van open vuur of andere warmtebronnen (verwarming, sterke zonnestraling, gasovens enz.).
- Let op dat de ventilatieopeningen niet afgedekt zijn.
- Dompel de minibar nooit onder in water.
- Bescherm de minibar en de kabel tegen hitte en vocht.
- Let op dat levensmiddelen de wanden van de koelruimte niet aanraken.



INSTRUCTIE

- Selecteer bij omgevingstemperaturen van +15 °C tot +25 °C de middelste temperatuurinstelling.

3 Omvang van de levering

De volgende opties zijn verkrijgbaar:

- Minibar DM20D met deurpaneel, zonder slot
- Minibar DM20D met deurpaneel, met slot
- Minibar DM20F zonder deurpaneel, zonder slot
- Minibar DM20F zonder deurpaneel, met slot

Aantal	Beschrijving	
1	Minibar	
1	Wisselstroomkabel	
2	Schroef Ø 4 x 45 mm (montage)	
2	Schroef Ø 4 x 25 mm (montage van de voeten aan de voorzijde)	
2	Schroef M4 x 45 mm (montage van het handvat)	
2	Plug (montage)	
1	Handvat	Alleen DM20D
2	Plug (montage van het handvat)	Alleen DM20D
2	Plug (houten decorplaat)	Alleen DM20F, houten versie
1	Slotbeslag (houten decorplaat)	Alleen DM20F, houten versie met slot
2	Sleutel	Alleen versie met slot
1	Montage- en gebruiksaanwijzing	

4 Beoogd gebruik

Het koeltoestel (ook 'minibar' genoemd) is ontworpen voor gebruik in omliggende gebouwen, bijvoorbeeld:

- In personeelskeukens van winkels, kantoren en andere werkplekken
- In de landbouwsector
- In hotels, motels en andere accommodaties
- In bed and breakfasts
- In cateringbedrijven of vergelijkbare groothandelszaken

De minibar is niet geschikt voor inbouw in caravans of campers.

De minibar is bestemd voor inbouw in een keukenkastje of in een inbouwnis.

De minibar is uitsluitend ontworpen voor het koelen en bewaren van dranken en levensmiddelen in gesloten bakken.

De minibar is niet geschikt voor het bewaren van verse levensmiddelen en medicijnen of voor het invriezen van levensmiddelen.

De minibar is alleen geschikt voor het beoogde gebruik en de toepassing in overeenstemming met deze gebruiksaanwijzing.

Deze handleiding geeft informatie die nodig is voor een goede installatie en/of bediening van de minibar. Een slechte installatie en/of verkeerde bediening of onderhoud leidt tot onbevredigende prestaties en mogelijke storingen.

De fabrikant aanvaardt geen aansprakelijkheid voor letsel of schade aan het product die het gevolg is van:

- Onjuiste montage of aansluiting, inclusief te hoge spanning
- Onjuist onderhoud of gebruik van andere dan door de fabrikant geleverde originele reserveonderdelen
- Wijzigingen van het product zonder uitdrukkelijke toestemming van de fabrikant
- Gebruik voor andere doeleinden dan beschreven in deze handleiding

Dometic behoudt zich het recht voor om het uiterlijk en de specificaties van het product te wijzigen.

5 Technische beschrijving

De minibar bevat een lade met ruimte voor 12 blikjes (plus schappen voor snacks).

In leveringstoestand zijn de schappen en vakken zodanig gepositioneerd, dat het toestel op een energie-efficiënte manier kan worden gebruikt.

De minibar DM20D wordt geleverd met een antracietkleurig deurpaneel en een handvat.

De minibar DM20F wordt geleverd zonder deurpaneel en is geschikt voor montage van de decorplaat van het hotel zelf.

Het koelsysteem is een slijtvast thermo-elektrisch koelsysteem (Peltier-effect).

Een slot is optioneel verkrijgbaar.

5.1 Toestelbeschrijving

Voorzijde

Nr. in afb. 1 , pagina 3	Beschrijving
1	Slot (optioneel)
2	Handvat (alleen DM20D)
3	Deurpaneel (alleen DM20D)

Achterzijde

Nr. in afb. 2 , pagina 3	Beschrijving
1	Opvangschaal
2	Netadapter

Bedieningspaneel (in het toestel)

Nr. in afb. 3 , pagina 4	Beschrijving
1	Lamp
2	Led 'E' (Error)
3	Led 'P' (Power)
4	Toets 'SET'

Hoofdlade

Nr. in afb. 4 , pagina 4	Beschrijving
1	Scheidingsschot
2	Flessenhouder

6 Montage



VOORZICHTIG! Gevaar voor de gezondheid

Om gevaar door instabiliteit van het toestel te voorkomen, moet het volgens de instructies worden bevestigd.

6.1 Opmerkingen over de montage in meubilair

U kunt de minibar op vier manieren in meubilair inbouwen. Kies de optie van uw voorkeur (afb. **5**, pagina 5).

Neem het volgende in acht:

- De afmetingen voor de uitsparing H x B x D zijn:
 - **DM20D**: 385 x 404 x 428 mm
 - **DM20F**: 385 x 404 x 426 + d mm
d is de dikte van de decorplaat van het hotel
- De afstand tussen de achterzijde van de minibar en de meubelwand moet ten minste 10 mm bedragen.
- De ventilatieopeningen voor de gekozen optie moeten worden vervaardigd (afb. **5**, pagina 5).

- De lucht die door het inlaatluchtkanaal stroomt, mag niet worden verwarmd door warmtebronnen (verwarming, direct zonlicht, gasfornuis enz.).
- Bevestig de koelkast met geschikte schroeven (afb. **6** 1 en 2, pagina 6).

6.2 Minibar elektrisch aansluiten

- Steek de wisselstroomkabel in het wisselstroom-stopcontact en sluit deze aan op het wisselstroomnet.
- ✓ De led 'P' gaat branden.
- ✓ De minibar begint met het koelen van de binnenuimte.

6.3 Decorplaat van het hotel monteren (alleen DM20F)

De decorplaat van het hotel moet voldoen aan de volgende vereisten:

- Maximumgewicht: 2 kg
- Maximumdikte: 14 mm
- Bevestig de deur met vier schroeven.

6.4 Slot monteren (alleen versie met slot)

- Boor een gat met een diameter van 35 mm in de decorplaat.
- Monteer het slot samen met het slotbeslag.

6.5 Slot monteren (alleen versie zonder slot)

Lade demonteren (afb. **7**, pagina 7)

- Open de lade volledig.
- Druk op de vergrendeling van de ladegeleider (**A 1**).
- Trek de lade uit de kast.
- Verwijder de pakking (**B 1**).
- Verwijder de slotafdekking (**B 2**).
- Verwijder de pluggen (**C 1**) van de schroeven van het handvat (**C 3**).
- Verwijder de schroeven (**C 2**) van het handvat (**C 3**).
- Verwijder het handvat (**C 3**).

Gaten boren (afb. 8, pagina 7)

- Boor een gat met een diameter van 25 mm in de decorplaat en de deur (**A 1**).
- Draai de schroeven (**B 1**) van het decorframe (**B 2**) los.
- Verwijder het decorframe (**B 2**).

Slot monteren (afb. 9, pagina 8)

- Plaats de nieuwe slotafdekking (**A 1**) op zijn plek.
- Plaats de decorplaat (**B 1**) in het decorframe (**B 3**).
- Schroef het decorframe (**B 3**) op de deur (**B 2**).
- Monteer het slot (**C 1**).
- Monteer de grendel in de kast (**D 1**).

Lade monteren (afb. 10, pagina 8)

- Druk de pakking (**1**) op het decorframe (**2**).
- Schroef het handvat (**B 4**) op de deur.
- Druk de pluggen (**3**) op de schroeven van het handvat (**4**).
- Schuif de lade in de kast.

7 Gebruik

**LET OP! Gevaar voor beschadiging**

Om gevaren te voorkomen moet de lamp worden vervangen door de fabrikant, servicemedewerker of een gelijkwaardig gekwalificeerde persoon.

7.1 Energie besparen

- Open de minibar uitsluitend indien nodig en slechts zo lang als noodzakelijk.
- Laat warme levensmiddelen eerst afkoelen alvorens deze in het toestel koel te houden.
- Vermijd een onnodig lage binnentemperatuur.
- Plaats de legplanken en laden voor een optimaal energieverbruik in de positie zoals bij levering.

- Controleer regelmatig of de deurafdichting nog goed zit.
- Verwijder regelmatig stof en vuil van de condensor.

7.2 Minibar gebruiken

De minibar begint met koelen zodra deze is aangesloten op de stroomvoorziening. Tijdens normaal gebruik brandt de led 'P'. Als er een fout optreedt, knippert de led 'E' (zie hoofdstuk „Verhelpen van storingen“ op pagina 105).

7.3 Temperatuur instellen

Let op het volgende om voedselverspilling tegen te gaan:

- Houd temperatuurschommelingen zo laag mogelijk. Open de minibar uitsluitend indien nodig en slechts zo lang als noodzakelijk. Berg levensmiddelen zodanig op dat de lucht nog steeds goed kan circuleren.
- De minibar is uitgerust met een automatisch temperatuurregeling. Selecteer het gemiddelde van de mogelijke temperatuurwaarden.
- Pas de temperatuur aan aan de hoeveelheid en het type levensmiddelen.

De minibar is standaard ingesteld op een koeltemperatuur van 7 °C bij een omgevingstemperatuur van 25 °C .

Met de toets 'SET' (afb. **3** 4, pagina 4) kunt u de koeltemperatuur instellen op een van de drie waarden: 5 °C, 12 °C en 7 °C .

Daarbij wordt de temperatuur gewijzigd in de volgorde 5 °C ... 12 °C ... 7 °C ... 5 °C enz.

- Druk op de toets 'SET' (afb. **3** 4, pagina 4) en houd deze voor 5 s ingedrukt tot de lamp (afb. **3** 1, pagina 4) begint te knipperen.
- Druk meteen nog eens op de toets 'SET' (afb. **3** 4, pagina 4).
- ✓ De lamp (afb. **3** 1, pagina 4) geeft de ingestelde temperatuur aan:
 - 5 °C : de lamp knippert vijf keer in drie intervallen
 - 12 °C : de lamp knippert één keer in drie intervallen
 - 7 °C : de lamp knippert drie keer in drie intervallen



INSTRUCTIE

De koeltemperatuur van de minibar wordt automatisch ingesteld op 7 °C , zodra deze is aangesloten op de stroomvoorziening.

8 Verhelpen van storingen

Fout	Mogelijke oorzaak	Voorstel tot oplossing
Het toestel werkt niet, led 'P' brandt niet.	Op het wisselspanning-stopcontact staat geen spanning.	Probeer een ander stopcontact.
	De netadapter is defect.	Neem contact op met klantenservice.
Het toestel koelt niet (stekker zit in het stopcontact, led 'P' brandt).	Het koelelement is defect.	Neem contact op met klantenservice.
De led 'E' knippert een keer per seconde.	Temperatuursensor is defect.	Neem contact op met klantenservice.
De led 'E' knippert twee keer per seconde.	De ventilator is defect.	Neem contact op met klantenservice.
Toestel koelt niet voldoende, led 'P' brandt, led 'E' brandt niet.	Het koelelement is defect.	Neem contact op met klantenservice.
	Slechte ventilatie	Controleer de ventilatie. Reinig het filter onder het toestel.

9 Reiniging en onderhoud



LET OP! Gevaar voor beschadiging!

- Reinig het koeltoestel nooit onder stromend water of in afwaswater.
- Gebruik voor het reinigen geen bijtende schoonmaakmiddelen of harde voorwerpen, aangezien het koeltoestel hierdoor beschadigd zou kunnen raken.

- Reinig het toestel van binnen en buiten af en toe met een vochtige doek.
- Zorg ervoor dat de ventilatieopeningen van het toestel vrij zijn van stof en verontreinigingen, zodat de bij het gebruik ontstane warmte kan worden afgevoerd en het toestel niet beschadigd raakt.
- Reinig af en toe het inlaatfilter.
- Als u water in de opvangschaal vindt (afb. **2** 1, pagina 3), controleer dan of het afvoersysteem geblokkeerd is.

**LET OP! Gevaar voor beschadiging**

Om gevaren te voorkomen moet de lamp worden vervangen door de fabrikant, servicemedewerker of een gelijkwaardig gekwalificeerde persoon.

10 Garantie

De wettelijke garantieperiode is van toepassing. Als het product defect is, wendt u zich tot uw speciaalzaak of tot het filiaal van de fabrikant in uw land (zie dometic.com/dealer).

Voor de afhandeling van de reparatie of garantie dient u de volgende documenten mee te sturen:

- een kopie van de factuur met datum van aankoop,
- reden van de klacht of een beschrijving van de storing.

11 Afvoer

► Laat het verpakkingsmateriaal indien mogelijk recylen.



Als u het product definitief buiten bedrijf stelt, informeer dan bij het dichtstbijzijnde recyclingcentrum of uw speciaalzaak naar de betreffende afvoervoorschriften.

12 Technische gegevens


De actuele EG-conformiteitsverklaring voor uw apparaat ontvangt u op de desbetreffende productpagina van dometic.com of direct via de fabrikant (zie dometic.com/dealer).

Meer informatie over het product is beschikbaar via de QR-code op het energielabel (zie afbeeldingen) of op eprel.ec.europa.eu.

De koelkring bevat R134a.

Bevat gefluoreerde broeikasgassen

Hermetisch afgesloten apparatuur

	DM 20D	DM 20F
Spanning:	220 – 240 V~, 50/60 Hz	
Koelvermogen:	max. 20 °C onder omgevingstemperatuur (instelbaar in drie stappen: +5 °C, +7 °C, +12 °C)	
Categorie:	kelder	
Totaal volume:	20 l	
Energie-efficiëntieklasse:	G	
Opgenomen vermogen (bij omgevingstemperatuur van +25 °C, +12 °C koeltemperatuur):	0,368 kWh/24 h	
Klimaatklasse:	N	
Beoogde omgevingstemperatuur:	+16 °C tot +32 °C	
Geluidsemissie:	15 dB(A)	
Koelmiddelhoeveelheid:	48 g	
CO ₂ -equivalent:	0,069 t	
Aardopwarmingsvermogen (GWP):	1430	
Afmetingen hoofdlade b x d x h:	285 x 228,5 x 112 mm	
Afmetingen h x b x d (zie ook afb. 11 , pagina 9):	365 x 384 x 428 mm	365 x 384 x 398 mm
Gewicht:	12,3 kg	
Keuring/certificering:		

Læs og følg alle disse anvisninger, retningslinjer og advarsler i denne produktvejledning grundigt for at sikre, at du altid installerer, bruger og vedligeholder produktet korrekt. Disse anvisninger SKAL opbevares sammen med dette produkt.

Ved at benytte produktet bekræfter du hermed, at du har læst alle anvisninger, retningslinjer og advarsler grundigt, og at du forstår og er indforstået med de vilkår og betingelser, der er fastlagt heri. Du er indforstået med kun at bruge dette produkt til det beregnede formål og anvendelse i overensstemmelse med anvisningerne, retningslinjerne og advarslerne i denne produktvejledning samt i overensstemmelse med alle de gældende love og forskrifter. Manglende læsning og ignorering af disse anvisninger og advarsler kan medføre kvæstelser på dig selv og andre, skade på dit produkt eller skade på anden ejendom i nærheden. Der tages forbehold for eventuelle ændringer og opdateringer af denne produktvejledning samt anvisningerne, retningslinjerne og advarslerne samt den tilhørende dokumentation. Se www.dometic.com for de nyeste produktinformationer.

Indhold

1	Forklaring af symbolerne	108
2	Sikkerhedshenvisninger	109
3	Leveringsomfang	112
4	Korrekt brug	112
5	Teknisk beskrivelse	114
6	Installation	115
7	Betjening	117
8	Udbedring af fejl	119
9	Rengøring og vedligeholdelse	119
10	Garanti	120
11	Bortskaffelse	120
12	Tekniske data	120

1 Forklaring af symbolerne



FARE!

Sikkerhedshenvisning til en farlig situation, der medfører død eller alvorlige kvæstelser, hvis den ikke undgås.



ADVARSEL!

Sikkerhedshenvisning til en farlig situation, der kan medføre død eller alvorlige kvæstelser, hvis den ikke undgås.

**FORSIGTIG!**

Sikkerhedshenvisning til en farlig situation, der kan medføre lette eller mindre kvæstelser, hvis den ikke undgås.

**VIGTIGT!**

Henvisning til en situation, der kan medføre materielle skader, hvis den ikke undgås.

**BEMÆRK**

Supplerende informationer om betjening af produktet.

2 Sikkerhedshenvisninger

2.1 Grundlæggende sikkerhed



ADVARSEL! Manglende overholdelse af disse advarsler kan medføre dødelige eller alvorlige kvæstelser.

Fare for elektrisk stød

- Kontrollér, at minibaren er blevet monteret af en kvalificeret tekniker i overensstemmelse med monteringsvejledningen fra Dometic.
- Hvis minibaren har synlige beskadigelser, må du ikke tage det i brug.
- Hvis denne minibars tilslutningskabel er beskadiget, skal det udskiftes af producenten eller dennes servicerepræsentant eller en tilsvarende uddannet person for at forhindre farer.
- Reparationer på denne minibar må kun foretages af kvalificeret personale. Ved ukorrekte reparationer kan der opstå betydelige farer.

Brandfare

- Kølemidlet i kølekredsløbet er letantændeligt. Ved en beskadigelse af kølemiddelkredsløbet:
 - Sluk minibaren.
 - Undgå åben ild og antændelsesgnister.
 - Udluft rummet grundigt.

Eksplodingsfare

- Opbevar ikke eksplosive stoffer som f.eks. spraydåser med drivgas i minibaren.

Sundhedsfare

- Denne minibar kan anvendes af børn over 8 år og personer med reducerede fysiske, sans- eller mentale evner eller uden erfaring eller viden, hvis de er under opsyn eller blev instrueret i sikker brug af minibaren og forstår de involverede farer.
- Børn må ikke lege med minibaren.
- Rengøring og vedligeholdelse må ikke udføres af børn uden opsyn.
- Børn i alderen fra 3 til 8 år må fylde og tømme minibaren.

**FORSIGTIG! Manglende overholdelse af disse forsigtighedshenvisninger kan medføre mindre eller moderate kvæstelser.****Risiko for at komme i klemme**

- Grib ikke ind i hængslet.

Sundhedsfare

- Fødevarer må kun opbevares i original emballage eller egnede beholdere.

**VIGTIGT! Fare for beskadigelse**

- Sammenlign spændingsangivelsen på typeskiltet med energiforsyningen, der er til rådighed.
- Minibaren er ikke egnet til opbevaring af stoffer, der er ætsende eller indeholder opløsningsmidler!
- Køleapparatets isolering indeholder brændbar cyklopentan og kræver specielle bortskaffelsesprocedurer. Aflever køleapparatet på genbrugsstationen ved afslutningen af dets levetid.
- Hold altid udløbsåbningen ren.
- Åbn under ingen omstændigheder kølekredsløbet.
- Bør kun minibaren oprejst.

2.2 Sikkerhed under anvendelse af minibaren

**FARE! Manglende overholdelse af disse advarsler medfører dødelige eller alvorlige kvæstelser.****Fare for elektrisk stød**

- Tag aldrig fat i uisolerede ledninger med bare hænder.

**FORSIGTIG! Manglende overholdelse af disse forsigtighedshenvisninger kan medføre mindre eller moderate kvæstelser.****Fare for elektrisk stød**

- Kontrollér, at tilførselsledningen og stikket er tørre, før minibaren startes.

Sundhedsfare

- Sørg for, at der kun er genstande eller varer i minibaren, der må afkøles til den valgte temperatur.
- Madvarer må kun opbevares i original emballage eller egnede beholdere.
- Hvis døren er åben i længere tid, kan temperaturen stige betydeligt i minibarens rum.
- Rengør regelmæssigt overflader, som kan komme i kontakt med levnedsmidler og adgang til kloaksystemer.
- Hvis minibaren er tomt i længere tid:
 - Sluk minibaren.
 - Afrim minibaren.
 - Rengør og tør minibaren.
 - Lad døren være åben for at forhindre, at der dannes mug inden i minibaren.

**VIGTIGT! Fare for beskadigelse**

- Opbevar udelukkende tunge genstande som f.eks. flasker eller dåser i minibarens dør eller på den nederste gitterhylde.
- Anvend ikke el-apparater i minibaren, undtagen hvis producenten anbefaler disse el-apparater hertil.
- Stil ikke apparatet i nærheden af åben ild eller andre varmekilder (varmeapparater, stærk sol, gasovne osv.).
- Kontrollér, at ventilationsåbningerne ikke er tildækket.
- Dyp aldrig minibaren i vand.
- Beskyt minibaren og kablerne mod varme og fugtighed.
- Sørg for, at fødevarerne ikke berører kølerummets væg.

**BEMÆRK**

- Ved udenomstemperaturer på mellem +15 °C og +25 °C skal man vælge den midterste temperaturindstilling.

3 Leveringsomfang

Der kan fås følgende hovedalternativer:

- Minibar DM20D med dørpanel, uden lås
- Minibar DM20D med dørpanel, med lås
- Minibar DM20F uden dørpanel, uden lås
- Minibar DM20F uden dørpanel, med lås

Antal	Beskrivelse	
1	Minibar	
1	Vekselstrømstilslutningskabel	
2	Skrue Ø 4 x 45 mm (montering)	
2	Skrue Ø 4 x 25 mm (montering af de forreste fødder)	
2	Skrue M4 x 45 mm (montering af håndtag)	
2	Prop (montering)	
1	Greb	Kun DM20D
2	Prop (montering af håndtag)	Kun DM20D
2	Prop (træpanel)	Kun DM20F version af træ
1	Låsedekoration (træpanel)	Kun DM20F version af træ med lås
2	Forklaring	Kun version med lås
1	Monterings- og betjeningsvejledning	

4 Korrekt brug

Køleapparatet (også betegnet som minibar) er beregnet til anvendelse i lukkede bygninger, som f.eks.:

- I personalekøkkener i forretninger, på kontorer og andre arbejdsområder
- I landbrugssektoren
- I hoteller, moteller og anden overnatningsmuligheder
- I pensionater
- I cateringvirksomheder eller tilsvarende engrosvirksomheder

Minibaren er ikke egnet til indbygning i campingvogne eller autocampere.

Minibaren er beregnet til indbygning i et møbestykke eller en installationsniche.

Minibaren er udelukkende beregnet til at køle og opbevare drikkevarer og fødevarer i lukkede beholdere.

Minibaren er ikke egnet til at opbevare friske fødevarer og medicin eller at fryse fødevarer.

Denne minibar er kun egnet til dens beregnede formål og anvendelse i overensstemmelse med disse anvisninger.

Denne vejledning giver dig oplysninger om, hvad der er nødvendigt med henblik på en korrekt montering og/eller drift af minibaren. Dårlig montering og/eller ukorrekt drift eller vedligeholdelse medfører utilstrækkelig ydeevne og mulige fejl.

Producenten påtager sig intet ansvar for kvæstelser eller skader i forbindelse med produktet, der skyldes:

- Ukorrekt samling eller forbindelse inklusive for høj spænding
- Ukorrekt vedligeholdelse eller brug af uoriginale reservedele, der ikke stammer fra producenten
- Ændringer på produktet uden udtrykkelig tilladelse fra producenten
- Brug til andre formål end dem, der er beskrevet i vejledningen

Dometic forbeholder sig ret til at ændre produktets udseende og produktspecifikationer.

5 Teknisk beskrivelse

Minibaren har en skuffe med plads til 12 dåser (plus snackbarer).

Ved levering af de medfølgende hylder og rum placeret, så enheden kan anvendes på en energieffektiv måde.

Minibaren DM20D kommer med antracitfarvet panel og trækhåndtag.

Minibaren DM20F leveres uden panel og er forberedt til montering af hotellets egen dørdekoration.

Dens kølesystem er et slidfrit Peltier-kølesystem.

En lås kan fås som option.

5.1 Beskrivelse af apparatet

Forside

Nr. på fig. 1 , side 3	Beskrivelse
1	Lås (option)
2	Håndtag (kun DM20D)
3	Dørpanel (kun DM20D)

Bagside

Nr. på fig. 2 , side 3	Beskrivelse
1	Drypskål
2	Netdel

Betjeningspanel (i enheden)

Nr. på fig. 3 , side 4	Beskrivelse
1	Lampe
2	Fejllysdioder
3	Statuslysdioder
4	Indstillingsknap

Hovedskuffe

Nr. på fig. 4 , side 4	Beskrivelse
1	Opdeling
2	Flaskeholder

6 Installation



FORSIGTIG! Sundhedsfare

For at undgå en fare, fordi apparatet er ustabil, skal det fastgøres i overensstemmelse med anvisningerne.

6.1 Henvisninger om montering i møbler

Du kan montere minibaren i møbler på fire måder. Vælg dit foretrukne alternativ (fig. **5**, side 5).

Vær opmærksom på følgende:

- Udskæringens dimensioner H x B x D er:
 - **DM20D**: 385 x 404 x 428 mm
 - **DM20F**: 385 x 404 x 426 + d mm
d er tykkelsen af hotellets egen dekoration
- Afstanden mellem minibarens bagside og møbelvæggen skal være ca. 10 mm.
- Ventilationsåbningerne for det valgte alternativ skal laves (fig. **5**, side 5).
- Luft, der passerer gennem indgangsluftkanalen, må ikke være opvarmet af nogen varmekilder (radiatorer, direkte sollys, gasovne etc.).

- Fastgør køleskabet med egnede skruer (fig. **6** 1 og 2, side 6).

6.2 Elektrisk tilslutning af minibaren

- Sæt vekselstrømstilslutningskablet i vekselspændingsstikdåsen, og tilslut det til vekselstrømforsyningen.
- ✓ Statuslysdioden lyser.
- ✓ Minibaren starter med at køle det indvendige rum.

6.3 Montering af hotellets egen dørdekoration (kun DM20F)

Hotellets egen dørdekoration skal opfylde følgende krav:

- Maksimal vægt: 2 kg
- Maksimal tykkelse: 14 mm
- Fastgør dekorationen med fire skruer.

6.4 Montering af låsen (kun version med lås)

- Bor et hul med en diameter på 35 mm i dekorationen.
- Montér låsen sammen med låsedekorationen.

6.5 Montering af låsen (kun version uden lås)

Afmontering af skuffen (fig. **7**, side 7)

- Åbn skuffen helt.
- Tryk på skinnelåsen (**A 1**).
- Træk skuffen ud af kabinettet.
- Fjern pakningen (**B 1**).
- Fjern låsens afdækning (**B 2**).
- Fjern propperne (**C 1**) fra skruerne på dørhåndtaget (**C 3**).
- Skru skruerne (**C 2**) ud af dørhåndtaget (**C 3**).
- Fjern dørhåndtaget (**C 3**).

Boring af hullerne (fig. 8, side 7)

- Bor et hul med en diameter på 25 mm gennem decorationen og døren (A 1).
- Skru skruerne (B 1) ud af dekorationsrammen (B 2).
- Fjern dekorationsrammen (B 2).

Montering af låsen (fig. 9, side 8)

- Sæt låsens nye afdækning (A 1) på plads.
- Sæt decorationen (B 1) ind i dekorationsrammen (B 3).
- Skru dekorationsrammen (B 3) på døren (B 2).
- Montér dørlåsen (C 1).
- Montér låsen i kabinettet (D 1).

Montering af skuffen (fig. 10, side 8)

- Tryk pakningen (1) på dekorationsrammen (2).
- Skru dørhåndtaget (4) på døren.
- Tryk propperne (3) på skruerne på dørhåndtaget (4).
- Skub skuffen ind i kabinettet.

7 Betjening



VIGTIGT! Fare for beskadigelse

Lampen kan kun udskiftes af producenten, serviceagenten eller en tilsvarende kvalificeret person for at undgå farer.

7.1 Energibesparelse

- Åbn kun minibaren, så tit og så længe det er nødvendigt.
- Lad først varm mad afkøle, før du anbringer den i apparatet for at køle det ned.
- Undgå unødigt lav indvendig temperatur.
- Placér hylderne og skufferne i overensstemmelse med deres position ved leveringen for at opnå optimalt energiforbrug.
- Kontrollér regelmæssigt, at dørens tætning stadig passer rigtigt.
- Rengør med regelmæssige mellemrum kondensatoren for støv og urenheder.

7.2 Anvendelse af minibaren

Minibaren begynder at køle, når den tilsluttes til strømmen. Under normal drift gløder statuslysdioden. Hvis der forekommer en fejl, blinker fejllysdioden (se kapitlet „Udbedring af fejl“ på side 119).

7.3 Indstilling af temperaturen

Vær opmærksom på følgende for at undgå fødevarespild:

- Hold temperaturudsving så lave som muligt. Åbn kun minibaren, så tit og så længe det er nødvendigt. Opbevar fødevarer, så luften stadig kan cirkulere godt.
- Minibaren er udstyret med en automatisk temperaturreguleringsfunktion. Vælg gennemsnittet af de mulige temperaturværdier.
- Justér temperaturen til fødevarernes mængde og type.

Minibaren er som standard indstillet på en køletemperatur på 7 °C ved en omgivelsetemperatur på 25 °C.

Du kan anvende indstillingsknappen (fig. **3** 4, side 4) til at indstille køletemperaturen på en af tre værdier: 5 °C, 12 °C og 7 °C.

I den forbindelse ændres temperaturen i rækkefølgen 5 °C ... 12 °C ... 7 °C ... 5 °C etc.

- Tryk på indstillingsknappen (fig. **3** 4, side 4), og hold den trykket ind i 5 sek., indtil lampen (fig. **3** 1, side 4) begynder at blinke.
- Tryk med det samme på indstillingsknappen (fig. **3** 4, side 4) igen.
- ✓ Lampen (fig. **3** 1, side 4) viser indstillingstemperaturen:
 - 5 °C: Lampen blinker fem gange i tre intervaller
 - 12 °C: Lampen blinker en gang i tre intervaller
 - 7 °C: Lampen blinker tre gange i tre intervaller



BEMÆRK

Minibaren indstiller automatisk køletemperaturen på 7 °C når den tilsluttes til en strømkilde.

8 Udbedring af fejl

Fejl	Mulig årsag	Løsningsforslag
Apparatet fungerer ikke, statuslysdioden lyser ikke.	Vekselspændingsstikdåsen har ikke spænding.	Forsøg med en anden stikdåse.
	Netdelen er defekt.	Kontakt servicerepræsentanten.
Apparatet kører ikke (stikket er sat i, statuslysdioden lyser).	Køleelementet er defekt.	Kontakt servicerepræsentanten.
Fejllysdioden blinker en gang pr. sekund.	Temperaturføleren er defekt.	Kontakt servicerepræsentanten.
Fejllysdioden blinker to gange pr. sekund.	Blæseren er defekt.	Kontakt servicerepræsentanten.
Apparatet kører ikke tilstrækkeligt, statuslysdioden lyser, fejllysdioden lyser ikke.	Køleelementet er defekt.	Kontakt servicerepræsentanten.
	Dårlig ventilation	Kontrollér ventilationen. Rengør filteret under apparatet.

9 Rengøring og vedligeholdelse



VIGTIGT! Fare for beskadigelse!

- Rengør aldrig køleapparatet under rindende vand eller i opvaskevand.
- Anvend ikke skrappe rengøringsmidler eller hårde genstande ved rengøringen, da de kan beskadige køleapparatet.

- Rengør af og til apparatet indvendigt og udvendigt med en fugtig klud.
- Sørg for, at apparatets ventilations- og udluftningsåbninger er fri for støv og urenheder, så varmen, der opstår under driften, kan ledes bort, og apparatet ikke tager skade.
- Rengør af og til indgangsfilteret.
- Kontrollér, om afløbet er blokeret, hvis du finder vand i drypbakken (fig. **2** 1, side 3).

**VIGTIGT! Fare for beskadigelse**

Lampen kan kun udskiftes af producenten, serviceagenten eller en tilsvarende kvalificeret person for at undgå farer.

10 Garanti

Den lovbestemte garantiperiode gælder. Hvis produktet er defekt, skal du kontakte din forhandler eller producentens afdeling i dit land (se dometic.com/dealer).

Ved reparation eller krav om garanti skal du medsende følgende bilag:

- En kopi af regningen med købsdato
- En reklamationsgrund eller en fejlbeskrivelse

11 Bortskaffelse

► Bortskaf så vidt muligt emballagen sammen med det tilsvarende genbrugsaffald.



Hvis du tager produktet endegyldigt ud af drift, skal du kontakte det nærmeste recyclingcenter eller din faghandel for at få de pågældende forskrifter om bortskaffelse.

12 Tekniske data


Den aktuelle EU-overensstemmelseserklæring for dit apparat får du på den pågældende produktside på dometic.com eller direkte hos producenten (se dometic.com/dealer).

Du kan finde yderligere produktinformationer via QR-koden på energimærket (se illustrationer) eller via eprel.ec.europa.eu.

Kølekredsløbet indeholder R134a.

Indeholder fluorerede drivhusgasser

Hermetisk lukkede anlæg eller hermetisk lukket udstyr

	DM 20D	DM 20F
Spænding:	220 – 240 V~, 50/60 Hz	
Kølekapacitet:	Maks. 20 °C under udenomstemperaturen (kan justeres i tre trin: +5 °C, +7 °C, +12 °C)	
Kategori:	Kælder	
Samlet volumen:	20 l	
Energieffektivitetsklasse:	G	
Effektforbrug (ved udenomstemperatur på +25 °C, +12 °C køleskab):	0,368 kWh/24 h	
Klimaklasse:	N	
Tiltænkt udenomstemperatur for brug:	+16 °C til +32 °C	
Lydemission:	15 dB(A)	
Kølemiddelmængde:	48 g	
CO ₂ ækvivalent:	0,069 t	
Drivhuspotential (GWP):	1430	
Mål hovedskuffe B x D x H:	285 x 228,5 x 112 mm	
Mål H x B x D (se også fig. 11, side 9):	365 x 384 x 428 mm	365 x 384 x 398 mm
Vægt:	12,3 kg	
Godkendelse/certifikat:		

Läs och följ noggrant alla instruktioner, direktiv och varningar i den här produkthandboken för att säkerställa att du alltid installerar, använder och underhåller produkten på rätt sätt. Dessa instruktioner MÅSTE förvaras tillsammans med produkten.

Genom att använda produkten bekräftar du härmed att du noggrant har läst alla instruktioner, direktiv och varningar och att du förstår och är införstådd med att följa de villkor som anges här. Du är införstådd med att endast använda denna produkt i avsett syfte och i enlighet med instruktionerna, direktiven och varningarna som anges i denna produkthandbok samt i enlighet med alla gällande lagar och bestämmelser. Om du inte läser och följer instruktionerna och varningarna som anges här kan det leda till personsador på dig eller andra, på produkten eller annan egendom i närheten. Denna produkthandbok, inklusive instruktionerna, direktiven och varningarna samt relaterad information, kan ändras och uppdateras. För uppdaterad produktinformation, besök www.dometic.com.

Innehållsförteckning

1	Förklaring av symboler	122
2	Säkerhetsanvisningar	123
3	Leveransomfattning	126
4	Avsedd användning	126
5	Teknisk beskrivning	128
6	Installation	129
7	Användning	131
8	Felsökning	133
9	Rengöring och skötsel	133
10	Garanti	134
11	Avfallshantering	134
12	Tekniska data	134

1 Förklaring av symboler



FARA!

Säkerhetsanvisning för en farlig situation som, om den inte går att undvika, ger upphov till dödsfall eller allvarliga personsador.



VARNING!

Säkerhetsanvisning för en farlig situation som, om den inte går att undvika, kan ge upphov till dödsfall eller allvarliga personsador.

**AKTA!**

Säkerhetsanvisning för en farlig situation som, om den inte går att undvika, kan ge upphov till en lindrig eller måttlig personskada.

**OBSERVERA!**

Anvisning för en situation som, om den inte går att undvika, kan ge upphov till materiella skador.

**ANVISNING**

Kompletterande information om användning av produkten.

2 Säkerhetsanvisningar

2.1 Allmänna säkerhetsanvisningar



WARNING! Om man underlåter att följa de här varningarna kan följden bli dödsfall eller allvarlig personskada.

Risk för dödsfall på grund av elektricitet

- Säkerställ att minibaren har installerats av en behörig tekniker enligt Dometics installationsmanual.
- Om minibaren uppvisar synliga skador får den inte användas.
- Om minibarens anslutningskabel skadas måste den, av säkerhetsskäl, bytas ut av tillverkaren, servicerepresentanten eller annan person med motsvarande behörighet.
- Denna minibar får endast repareras av härför utbildad personal. Icke fackmässiga reparationer kan medföra allvarliga risker.

Brandrisk

- Kylmedlet i kylkretsloppet är lättantändligt.
Vid skador på kylkretsen:
 - Stäng av minibaren.
 - Undvik öppen eld och gnistbildning.
 - Ventilera rummet nog.

Explosionsrisk

- Lagra inga ämnen som kan explodera i minibaren, som t.ex. sprayburkar med drivgas.

Hälsorisk

- Barn från åtta års ålder, personer med nedsatt fysisk, sensorisk eller mental förmåga, eller personer med bristande erfarenhet och kunskaper får använda den här minibaren förutsatt att de hålls under uppsikt eller om de har fått anvisningar om hur man använder den här minibaren på ett säkert sätt och känner till vilka risker som är förknippade med användningen.
- Barn får inte leka med minibaren.
- Utan uppsikt får barn inte utföra rengörings- eller underhållsarbeten.
- Barn i åldrarna tre till åtta år får lasta in eller ut varor i eller ur minibaren.



AKTA! Om man underlåter att följa de här försiktighetsåtgärderna kan följden bli lindrig eller måttlig personskada.

Krossrisk

- Håll fingrarna borta från gångjärnen.

Hälsorisk

- Livsmedel får endast förvaras i originalförpackningarna eller i andra lämpliga behållare.

**OBSERVERA! Risk för skada**

- Jämför spänningssuppgifterna på typskylten med elförsörjningen på plats.
- Minibaren är inte ämnad för lagring av frätande ämnen eller ämnen som innehåller lösningsmedel.
- Kylapparatens isolering innehåller brännbart cyklopentan och det krävs särskilda rutiner för avfallshanteringen. När kylapparaten har uppnått slutet av livscykeln ska den lämnas till lämplig återvinningscentral.
- Se till att utloppsöppningen alltid är ren.
- Öppna aldrig kylkretsloppet.
- Bär endast minibaren i upprätt position.

2.2 Använda minibaren på ett säkert sätt



FARA! Om man underlåter att följa de här varningarna blir följden dödsfall eller allvarlig personskada.

Risk för dödsfall på grund av elektricitet

- Ta inte tag i avskalade ledningar med händerna.

**AKTA! Om man underlåter att följa de här försiktighetsåtgärderna kan följden bli lindrig eller måttlig personskada.****Risk för dödsfall på grund av elektricitet**

- Kontrollera, innan minibaren tas i drift, att elkabeln och stickkontakten är torra.

Hälsorisk

- Se till att det endast finns föremål resp. varor i minibaren som får kylas till den inställda temperaturen.
- Livsmedel får endast förvaras i originalförpackningarna eller i andra lämpliga behållare.
- Om dörren hålls öppen under lång tid finns det risk att man får en betydande ökning av temperaturen i minibaren.
- Rengör med jämna mellanrum ytor som kan komma i kontakt med livsmedel och åtkomliga avloppssystem.
- Om minibaren står tom under lång tid:
 - Stäng av minibaren.
 - Avfrostas minibaren.
 - Rengör och torka minibaren.
 - Lämna dörren öppen för att förhindra att det bildas mögel i minibaren.

**OBSERVERA! Risk för skada**

- Tungt varor som t.ex. flaskor eller burkar ska endast förvaras i minibaren eller på det nedre hyllplanet.
- Använd inga elektriska apparater för arbeten inne i minibaren. Undantag: apparaterna rekommenderas för sådan användning av tillverkaren.
- Ställ inte upp den i närheten av öppen eld eller andra värmekällor (värmeelement, starkt solljus, gasspisar osv.).
- Se till att ventilationsöppningarna inte är täckta.
- Doppa aldrig ner minibaren i vatten.
- Skydda minibaren och kablarna mot värme och fukt.
- Se till att livsmedlen i kylskåpet inte vidrör väggarna i kylan.

**ANVISNING**

- För omgivningstemperaturer på mellan +15 °C till +25 °C ska man välja medeltemperaturinställningen.

3 Leveransomfattning

Följande huvudalternativ kan fås:

- Minibar DM20D med dörrpanel, utan lås
- Minibar DM20D med dörrpanel, med lås
- Minibar DM20F utan dörrpanel, utan lås
- Minibar DM20F utan dörrpanel, med lås

Mängd	Beskrivning	
1	Minibar	
1	Växelströmskabel	
2	Skruv \varnothing 4 x 45 mm (montering)	
2	Skruv \varnothing 4 x 25 mm (montering av fötterna fram)	
2	Skruv M4 x 45 mm (handtagsmontering)	
2	Plugg (montering)	
1	Handtag	Endast för DM20D
2	Plugg (handtagsmontering)	Endast för DM20D
2	Plugg (träpanel)	Endast DM20F version i trä
1	Låsdekor (träpanel)	Endast DM20F version i trä med lås
2	Teckenförklaring	Endast version med lås
1	Monterings- och bruksanvisning	

4 Avsedd användning

Kylapparaten (även kallad minibaren) är utformad för användning inomhus, som t.ex.

- i personalkök, kontor eller andra arbetsområden
- i jordbrukssektorn
- på hotell, motell eller andra typer av inkvartering
- på bed-and-breakfast-verksamheter
- i personalmatsalar, vid catering eller liknande grossistverksamheter

Minibaren är inte lämplig för att monteras i husvagnar eller husbilar.

Minibaren är avsedd för montering i förvarings-skåp eller en monteringsnisch.

Minibaren är endast utformad för kylning och förvaring av drycker eller livsmedel i förslutna behållare.

Minibaren är inte avsedd för förvaring av färska livsmedel och läkemedel eller djupfrysta livsmedel.

Minibaren lämpar sig endast för avsedd användning i enlighet med dessa instruktioner.

Den här manualen informerar om vad som krävs för att installera och/eller använda minibaren på rätt sätt. Felaktig installation och/eller användning eller felaktigt underhåll kommer leda till att produkten inte fungerar optimalt och riskerar gå sönder.

Tillverkaren åtar sig inget ansvar för personskador eller materiella skador på produkten som uppstår till följd av:

- Felaktig montering eller anslutning, inklusive för hög spänning
- Felaktigt underhåll eller användning av reservdelar som inte är originaldelar från tillverkaren
- Ändringar som utförts utan uttryckligt medgivande från tillverkaren
- Användning för andra ändamål än de som beskrivs i denna bruksanvisning

Dometic förbehåller sig rätten att ändra produktens utseende och specifikationer.

5 Teknisk beskrivning

Minibaren har en låda med plats för 12 burkar (plus snacksbitar).

Vid leverans är hyllorna och facken placerade så att minibaren kan användas energieffektivt.

Minibaren DM20D har en antracitpanel och draghandtag.

Minibaren DM20F levereras utan panel och är förberedd för att passa in i hotellets egen dörrdekor.

Kylsystemet är en slitagefri peltierkylning.

Ett lås finns som tillval.

5.1 Produktbeskrivning

Framsida

nr på bild 1 , sida 3	Beskrivning
1	Lås (tillval)
2	Handtag (endast DM20D)
3	Dörrpanel (endast DM20D)

Baksida

nr på bild 2 , sida 3	Beskrivning
1	Droppskål
2	Nätadapter

Kontrollpanel (inuti minibaren)

nr på bild 3 , sida 4	Beskrivning
1	Lampa
2	LED-fellampa
3	Statuslysdiod
4	Inställningsknapp

Huvudlåda

nr på bild 4 , sida 4	Beskrivning
1	Avskiljare
2	Flaskfinger

6 Installation



AKTA! Hälsorisk

Fastsätt apparaten enligt anvisningarna så att det inte uppstår risker till följd av instabilitet.

6.1 Upplysningar om montering i möbler

Du kan montera minibaren i möbler på fyra olika sätt. Välj det alternativ du föredrar (bild **5**, sida 5).

Observera följande:

- Urskärningsmått H x B x D är:
 - **DM20D**: 385 x 404 x 428 mm
 - **DM20F**: 385 x 404 x 426 + d mm
d är tjockleken hos hotellets egen dekor
- Mellanrummet mellan minibarens baksida och möbelväggen ska vara ungefär 10 mm.
- Ventilationshålen för valt alternativ måste göras (bild **5**, sida 5).
- Luft som kommer in genom luftintagskanalen får inte vara uppvärmd av värmekällor (element, direkt solljus, gasugnar etc.).

- Sätt fast kylskåpet med passande skruvar (bild **6** 1 och 2, sida 6).

6.2 Ansluta el till minibaren

- Anslut växelströmsanslutningskabeln till växelspänningsuttaget och anslut det till växelströmsnätet.
- ✓ Status-LED-lampan tänds.
- ✓ Minibaren startar och kyler kylfacket.

6.3 Montera hotellets egen dörrdekor (endast DM20F)

Hotellets egen dörrdekor måste uppfylla följande krav:

- Maximal vikt: 2 kg
- Maximal tjocklek: 14 mm
- Sätt fast dekoren med fyra skruvar.

6.4 Montera låset (endast version med lås)

- Borra ett hål med diameter 35 mm i dekoren.
- Montera låset tillsammans med låsdekoren.

6.5 Montera låset (endast version utan lås)

Demontera lådan (bild **7**, sida 7)

- Dra ut lådan helt.
- Tryck på skenans lås (**A 1**).
- Dra ut lådan ur skåpet.
- Ta bort packningen (**B 1**).
- Ta bort låsskyddet (**B 2**).
- Ta bort pluggarna (**C 1**) från skruvarna till dörrhandtaget (**C 3**).
- Skruva loss skruvarna (**C 2**) till dörrhandtaget (**C 3**).
- Ta bort dörrhandtaget (**C 3**).

Borra hållen (bild 8, sida 7)

- Borra ett hål med diameter 25 mm genom dekoren och dörren (**A 1**).
- Skruva loss skruvarna (**B 1**) till dekorramen (**B 2**).
- Ta bort dekorramen (**B 2**).

Montera låset (bild 9, sida 8)

- Sätt det nya låsskyddet (**A 1**) på plats.
- Sätt dekoren (**B 1**) i dekorramen (**B 3**).
- Skruva på dekorramen (**B 3**) på dörren (**B 2**).
- Montera dörrlåset (**C 1**).
- Montera låshaken i skåpet (**D 1**).

Montera lådan (bild 10, sida 8)

- Tryck packningen (**1**) på dekorramen (**2**).
- Skruva på dörrhandtaget (**4**) på dörren.
- Tryck på pluggarna (**3**) på skruvarna till dörrhandtaget (**4**).
- Skjut in lådan i skåpet.

7 Användning

**OBSERVERA! Risk för sakskador**

Lampan får endast bytas ut av tillverkaren, en tjänsteleverantör eller en person med liknande kvalifikationer för att förhindra fara.

7.1 Spara energi

- Öppna inte minibaren oftare och håll den inte öppen längre än nödvändigt.
- Låt varm mat svalna innan den läggs in i kylan.
- Undvik en onödigt låg temperatur inne i kylan.
- För bästa möjliga energiförbrukning ska du placera hyllorna och lådorna såsom de var placerade vid leveransen.
- Kontrollera med jämna mellanrum att dörrens tätning fortfarande sitter korrekt.
- Ta regelbundet bort damm och smuts från kondensatorn.

7.2 Använda minibaren

Minibaren börjar kyla när den ansluts till el. Vid normal användning lyser LED-statuslampan. Om ett fel inträffar blinkar LED-fellampan (se kapitel "Felsökning" på sidan 133).

7.3 Ställa in temperaturen

Observera följande så att du inte behöver kasta bort livsmedel:

- Temperaturen ska vara så jämn som möjligt. Öppna inte minibaren oftare och håll den inte öppen längre än nödvändigt. Förvara livsmedlen på så sätt att luften kan cirkulera.
- Minibaren har en automatisk temperaturregleringsfunktion. Välj medelvärde för de möjliga temperaturvärdena.
- Justera temperaturen efter mängden och typen av livsmedel.

Minibaren är som standard inställd på en kyltemperatur på 7 °C vid en omgivningstemperatur på 25 °C.

Du kan använda inställningsknappen (bild **3** 4, sida 4) för att ställa in kyltemperaturen på något av de tre värdena: 5 °C, 12 °C och 7 °C.

Då ändras temperaturen i ordningen 5 °C ... 12 °C ... 7 °C ... 5 °C etc.

- ▶ Tryck på inställningsknappen (bild **3** 4, sida 4) och håll den intryckt 5 sekunder tills lampan (bild **3** 1, sida 4) börjar blinka.
- ▶ Tryck direkt på inställningsknappen (bild **3** 4, sida 4) igen.
- ✓ Lampan (bild **3** 1, sida 4) visar inställningstemperaturen:
 - 5 °C: lampan blinkar fem gånger i tre intervall
 - 12 °C: lampan blinkar en gång i tre intervall
 - 7 °C: lampan blinkar tre gånger i tre intervall



ANVISNING

Minibaren ställer automatiskt in kyltemperaturen på 7 °C när den ansluts till el.

8 Felsökning

Fel	Möjlig orsak	Lösning
Apparaten fungerar inte, LED-statuslampan lyser inte.	Ingen spänning i växelströmsuttaget.	Prova med ett annat uttag.
	Nätadaptern är defekt.	Kontakta kundtjänsten.
Apparaten kylar inte (kontakten är insatt, LED-statuslampan lyser).	Kylelementet är defekt.	Kontakta kundtjänsten.
LED-fellampan blinkar en gång per sekund.	Temperaturgivaren är defekt.	Kontakta kundtjänsten.
LED-fellampan blinkar två gånger per sekund.	Fläkten är defekt.	Kontakta kundtjänsten.
Apparaten kylar inte tillräckligt, LED-statuslampan lyser, LED-fellampan lyser inte.	Kylelementet är defekt.	Kontakta kundtjänsten.
	Dålig ventilation	Kontrollera ventilationen. Rengör filtret under apparaten.

9 Rengöring och skötsel



OBSERVERA! Risk för sakskador!

- Rengör aldrig kylapparaten under rinnande vatten eller i diskvatten.
- Använd inga skarpa rengöringsmedel eller hårda föremål vid rengöring, det kan skada kylapparaten.

- Rengör apparaten då och då in- och utvändigt med en fuktig trasa.
- Kontrollera att luftnings-/ventilationsöppningarna är rena från damm och annat smuts så att värmen i vid användning kan avledas ordentligt så att produkten inte skadas.
- Rengör intagsfiltret ibland.
- Kontrollera om dräneringssystemet är blockerat om du ser vatten i dropptråget (bild **2** 1, sida 3).

**OBSERVERA! Risk för sakskador**

Lampan får endast bytas ut av tillverkaren, en tjänsteleverantör eller en person med liknande kvalifikationer för att förhindra fara.

10 Garanti

Den lagstadgade garantitiden gäller. Om produkten är defekt: kontakta återförsäljaren eller tillverkarens kontor i ditt land (se dometic.com/dealer).

Vid reparations- resp. garantiärenden ska följande skickas med:

- en kopia på fakturan med inköpsdatum,
- en reklamationsbeskrivning/felbeskrivning.

11 Avfallshantering

► Lämna om möjligt förpackningsmaterialet till återvinning.



När produkten slutgiltigt tas ur bruk: informera dig om gällande bestämmelser hos närmaste återvinningscentral eller hos återförsäljaren.

12 Tekniska data



Aktuell EU-försäkran om överensstämmelse för maskinen kan erhållas från respektive produktsida på dometic.com eller direkt via tillverkaren (se dometic.com/dealer).

Läs in QR-koden på energimärkningen (se bilderna) för mer information om produkten eller besök eprel.ec.europa.eu.

Kylkretsloppet innehåller R134a.

Innehåller fluorerade växthusgaser

Hermetiskt sluten utrustning

	DM 20D	DM 20F
Spänning:	220 – 240 V~, 50/60 Hz	
Kyleffekt:	Max. 20 °C under omgivningstemperatur (kan justeras i tre steg: +5 °C, +7 °C, +12 °C)	
Kategori:	Källare	
Total volym:	20 l	
Energieffektklass:	G	
Effektbehov (vid omgivningstemperatur +25 °C, +12 °C kylskåp):	0,368 kWh/24 h	
Klimatklass:	N	
Avsedd användning av omgivnings- temperaturen:	+16 °C till +32 °C	
Bulleremission:	15 dB(A)	
Köldmediemängd:	48 g	
CO ₂ motsvarande:	0,069 t	
Global uppvärmningspotential (GWP):	1430	
Mått huvudlåda B x D x H:	285 x 228,5 x max 112 mm	
Mått H x B x D (se även bild 11 , sida 9):	365 x 384 x max 428 mm	365 x 384 x max 398 mm
Vikt:	12,3 kg	
Provning/certifikat:	 	

Vennligst les disse instruksjonene nøye og følg alle instruksjoner, retningslinjer og advarsler som er inkludert i denne produktveiledningen for å sikre at du installerer, bruker og vedlikeholder produktet ordentlig til enhver tid. Disse instruksjonene MÅ følge med dette produktet.

Ved å bruke dette produktet bekrefter du at du har lest alle instruksjoner, retningslinjer og advarsler nøye, og at du forstår og aksepterer å overholde betingelsene og vilkårene slik de er presentert her. Du godtar å bruke dette produktet kun til tiltenkt formål og anvendelse, og i samsvar med instruksjonene, retningslinjene og advarslene slik de er presentert i denne produktveiledningen, så vel som i samsvar med alle gjeldende lovbestemmelser og forskrifter. Hvis instruksjonene og advarslene som er presentert her, ikke blir lest og fulgt, kan dette resultere i personskader hos deg selv eller andre, skade på produktet eller skade på annen eiendom i nærheten. Denne produktveiledningen, inkludert instruksjonene, retningslinjene og advarslene, samt relatert dokumentasjon, kan være underlagt endringer og oppdateringer. For oppdatert produktinformasjon, se www.dometic.com.

Innhold

1	Symbolforklaring	136
2	Sikkerhetsregler	137
3	Leveringsomfang	140
4	Tiltenkt bruk	140
5	Teknisk beskrivelse	142
6	Montasje	143
7	Betjening	145
8	Feilretting	147
9	Rengjøring og vedlikehold	147
10	Garanti	148
11	Avfallsbehandling	148
12	Tekniske spesifikasjoner	148

1 Symbolforklaring



FARE!

Sikkerhetshenvisning til en faresituasjon som fører til alvorlige personskader, eventuelt med døden til følge, dersom de ikke blir unngått.



ADVARSEL!

Sikkerhetshenvisning til en faresituasjon som kan føre til alvorlige personskader, eventuelt med døden til følge, dersom de ikke blir unngått.

**FORSIKTIG!**

Sikkerhetshenvisning til en faresituasjon som kan føre til lette eller middels alvorlige personskader, dersom de ikke blir unngått.

**PASS PÅ!**

Henvisning til en situasjon som kan føre til tingskader dersom den ikke blir unngått.

**MERK**

Utfyllende informasjon om betjening av produktet.

2 Sikkerhetsregler

2.1 Grunnleggende sikkerhet



ADVARSEL! Manglende overholdelse av disse advarslene kan resultere i alvorlige personskader, eventuelt med døden til følge.

Fare for elektrisk støt

- Forsikre deg om at minibaren har blitt installert av en kvalifisert tekniker i samsvar med Dometics monteringsanvisning.
- Minibaren må ikke tas i bruk hvis den har synlige skader.
- Hvis tilkoblingskabelen til denne minibaren er skadet, må den for å unngå farer byttes av produsent, serviceforhandler eller en tilsvarende utdannet person for å forhindre at sikkerheten settes i fare.
- Reparasjoner på denne minibaren må kun utføres av kvalifiserte fagfolk. Usakkyndige reparasjoner kan føre til alvorlige farer.

Brannfare

- Kjølemiddelet i kjølemiddelkretsløpet er lett antennelig. Ved skader på kjølemiddelkretsløpet:
 - Slå av minibaren.
 - Unngå åpen ild og gnister.
 - Sørg for god ventilasjon i rommet.

Eksplisjonsfare

- Ikke lagre eksplosjonsfarlige stoffer, som f.eks. spraybokser med drivgass, i minibaren.

Helsefare

- Denne minibaren kan brukes av barn fra 8 år og oppover og personer med reduserte fysiske, sensoriske eller mentale evner eller som mangler erfaring og kunnskap, hvis de er under oppsyn eller har fått veiledning i hvordan apparatet brukes på en forsvarlig måte og forstår hvilke farer det innebærer.
- Barn må ikke leke med minibaren.
- Rengjøring og vedlikehold skal ikke utføres av barn uten at de er under oppsyn.
- Barn i alderen 3–8 år får lov til å laste og losse minibaren.



FORSIKTIG! Manglende overholdelse av disse forsiktighetsvarslene kan resultere i mindre til moderate personskader.

Klemfare

- Ikke grip i hengselet.

Helsefare

- Næringsmidler må kun oppbevares i originalemballasjen eller i egnede beholdere.



PASS PÅ! Fare for skader

- Kontrollen spenningsspesifikasjonene på merkeskiltet stemmer overens med den foreliggende strømforsyningen.
- Minibaren er ikke egnet for lagring av etsende eller løsemiddelholdige stoffer.
- Isolasjonen av kjøleapparatet inneholder antenkelig cyklopentan og krever en spesiell bortskaffingsprosess. Lever kjøleenheten på slutten av sin levetid til egnet resirkuleringsstasjon.
- Avløpsåpningen må holdes ren.
- Kjølekretsløpet må ikke åpnes under noen omstendigheter.
- Bær minibaren kun i oppreist stilling.

2.2 Sikkerhet ved bruk av minibaren



FARE! Manglende overholdelse av disse advarslene resulterer i alvorlige personskader, eventuelt med døden til følge.

Fare for elektrisk støt

- Ikke berør blanke ledninger med bare hender.



FORSIKTIG! Manglende overholdelse av disse forsiktighetsvarslene kan resultere i mindre til moderate personskader.

Fare for elektrisk støt

- Sikre at strømkabelen og støpselet er tørre før minibaren startes opp.

Helsefare

- Pass på at det bare befinner seg gjenstander eller varer som tåler nedkjøling til valgt temperatur, i minibaren.
- Næringsmidler må oppbevares i originalforpakning eller i egnede beholdere.
- Det å åpne døren for en lengre periode kan føre til en vesentlig økning av temperaturen i minibarens rom.
- Overflater som kan komme i kontakt med matvarer og tilgjengelige deler av dreneringssystemet må rengjøres regelmessig.
- Hvis minibaren blir værende tom over lengre tid:
 - Slå av minibaren.
 - Rim av minibaren.
 - Rengjør og tørk minibaren.
 - La døren være åpen for å unngå muggdannelse inne i minibaren.



PASS PÅ! Fare for skader

- Tunge gjenstander som f.eks. flasker eller bokser, må bare oppbevares i minibarens dør eller på nederste rist.
- Ikke bruk elektriske apparater inne i minibaren med mindre produsenten anbefaler slik bruk av slike apparatene.
- Ikke plasser apparatet i nærheten av åpen flamme eller andre varmekilder (oppvarming, sterk solbestråling, gassovner osv.).
- Forsikre deg om at ventilasjonsåpningene ikke er tildekket.
- Minibaren må aldri nedsenkes i vann.
- Beskytt minibaren og kabelen mot varme og fuktighet.
- Påse at matvarer ikke kommer i kontakt med veggene i kjølerommet.



MERK

- Ved omgivelsestemperaturer på +15 °C til +25 °C velges gjennomsnittlig temperaturinnstilling.

3 Leveringsomfang

Følgende hovedalternativer er tilgjengelige:

- Minibar DM20D med dørpanel, uten lås
- Minibar DM20D med dørpanel, med lås
- Minibar DM20F uten dørpanel, uten lås
- Minibar DM20F uten dørpanel, med lås

Antall	Beskrivelse	
1	Minibar	
1	Vekselstrøm-tilkoblingskabel	
2	Skrue Ø 4 x 45 mm (montering)	
2	Skrue Ø 4 x 25 mm (montering av frontben)	
2	Skrue M4 x 45 mm (montering av håndtak)	
2	Plugg (montering)	
1	Håndtak	Kun DM20D
2	Plugg (håndtakmontering)	Kun DM20D
2	Plugg (trepanel)	Kun DM20F i treversjon
1	Låsdekorasjon (trepanel)	Kun DM20F i treversjon med lås
2	Tegnforklaring	Kun versjon med lås
1	Monterings- og bruksanvisning	

4 Tiltentkt bruk

Kjøleapparatet (også henvist til som minibar) er konstruert for bruk i lukkede bygninger, slik som:

- Personalkjøkken i butikker, kontorer og andre arbeidsplasser
- Landbrukssektoren
- Hoteller, moteller og andre overnattingssteder
- Bed & Breakfast-steder
- Catering eller lignende grossistvirksomhet

Minibaren er ikke egnet for montering i campingvogner eller bobiler.

Minibaren er ment for montering i et møbel eller en installasjonsnisje.

Minibaren er utelukkende konstruert for kjøling og oppbevaring av drikkevarer og matvarer i lukkede beholdere.

Minibaren er ikke egnet for oppbevaring av fersk mat og medikamenter eller nedfrysing av matvarer.

Denne minibaren er kun egnet for det tiltenkte formålet og anvendelsen i samsvar med disse instruksjonene.

Denne håndboken gir informasjon som er nødvendig for en ordentlig installasjon og/eller drift av minibaren. Dårlig installasjon og/eller upassende drift eller vedlikehold vil resultere i en utilfredsstillende ytelse og en mulig svikt.

Produsenten påtar seg intet ansvar for personskader eller materielle skader på produktet som følge av:

- Ikke korrekt montering eller tilkobling, inkludert for høy spenning
- Ikke korrekt vedlikehold eller bruk av reservedeler foruten de originale reservedelene som leveres av produsenten
- Endringer på produktet uten at det er gitt uttrykkelig godkjenning av produsenten
- Bruk til andre formål enn det som er beskrevet i denne håndboken

Dometic forbeholder seg rettigheten til å endre produktet ytre og produktspesifikasjoner.

5 Teknisk beskrivelse

Minibaren har en skuff med plass til 12 drikkebokser (pluss snacks).

Ved levering er medfølgende hyller og rominndelinger plassert slik at apparatet kan drives på en energieffektiv måte.

Minibaren DM20D leveres med antrasittpanel og håndtak.

Minibaren DM20F leveres uten panel, og er klargjort for montering av hotellets egen dørdekorasjonsplate.

Kjølesystemet består av et slitasjefritt peltier-kjøleapparat.

En lås er tilgjengelig som tilleggsalternativ.

5.1 Apparatbeskrivelse

Front

Pos. i fig. 1, side 3	Beskrivelse
1	Lås (tilleggsalternativ)
2	Håndtak (kun DM20D)
3	Dørpanel (kun DM20D)

Bakside

Pos. i fig. 2, side 3	Beskrivelse
1	Dryppeskål
2	Strømadapter

Kontrollpanel (inne i apparatet)

Pos. i fig. 3 , side 4	Beskrivelse
1	Lampe
2	Feil-LED
3	Status-LED
4	Innstillingsknapp

Hovedskuff

Pos. i fig. 4 , side 4	Beskrivelse
1	Inndelingselement
2	Flaskefinger

6 Montasje



FORSIKTIG! Helsefare

For å unngå farer som følge av en manglende stabilitet på apparatet, må det festes i samsvar med instruksene.

6.1 Merknader for montering i møbler

Du kan montere minibaren i møbler på fire forskjellige måter. Velg det alternativet som passer best (fig. **5**, side 5).

Vær oppmerksom på følgende:

- Utsnittmålet H x B x D er:
 - **DM20D**: 385 x 404 x 428 mm
 - **DM20F**: 385 x 404 x 426 + d mm
d er tykkelsen på hotellets egen dekorasjonsplate
- Avstanden mellom baksiden av minibaren og møbelveggen skal være ca. 10 mm.
- Det må opprettes ventilasjonsåpninger for det valgte alternativet (fig. **5**, side 5).
- Luften som passerer gjennom luftinntakskanalen må ikke utsettes for varmekilder (varmeapparater, direkte sollys, gassovner e.l.).

- Fest kjøleskapet med egnede skruer (fig. **6** 1 og 2, side 6).

6.2 Elektrisk tilkobling av minibaren

- Plugg vekselstrømkabelen inn i vekselspenningsuttaket, og koble den til vekselstrømnettet.
- ✓ Status-LED-lampen lyser.
- ✓ Minibaren begynner nedkjølingen innvendig.

6.3 Montering av hotellets egen dørdekorasjonsplate (kun DM 20F)

Hotellets egen dørdekorasjonsplate må oppfylle følgende krav:

- Maksimal vekt: 2 kg
- Maksimal tykkelse: 14 mm
- Fest dekorasjonsplaten med fire skruer.

6.4 Monter låsen (kun versjon med lås)

- Bor et hull med en diameter på 35 mm i dekorasjonsplaten.
- Monter låsen sammen med låsedekorasjonen.

6.5 Montering av lås (kun versjon uten lås)

Demontere skuffen (fig. **7**, side 7)

- Åpne skuffen helt.
- Trykk på skinnesperren (**A 1**).
- Trekk skuffen ut av skapet.
- Fjern tetningen (**B 1**).
- Fjern låsbeslaget (**B 2**).
- Fjern pluggene (**C 1**) fra skruene til dørhåndtaket (**C 3**).
- Skru ut skruene (**C 2**) i dørhåndtaket (**C 3**).
- Fjern dørhåndtaket (**C 3**).

Bore hullene (fig. 8, side 7)

- Bor et hull med en diameter på 25 mm gjennom dekorasjonsplaten og døren (A 1).
- Skru ut skruene (B 1) på dekorasjonsplaten (B 2).
- Fjern dekorasjonsrammen (B 2).

Montere låsen (fig. 9, side 8)

- Sett på plass det nye låsbeslaget (A 1).
- Sett dekorasjonsplaten (B 1) inn i dekorasjonsrammen (B 3).
- Skru dekorasjonsrammen (B 3) på døren (B 2).
- Monter dørlåsen (C 1).
- Monter låseplaten i skapet (D 1).

Montere skuffen (fig. 10, side 8)

- Press tetningen (1) inn i dekorasjonsrammen (2).
- Skru dørhåndtaket (4) på døren.
- Trykk pluggene (3) inn på skruene til dørhåndtaket (4).
- Skyv skuffen inn i skapet.

7 Betjening



PASS PÅ! Fare for skade

Lampen kan bare erstattes av produsenten, servicepartner eller tilsvarende kvalifisert personale for å unngå farer.

7.1 Spare strøm

- Åpne minibaren bare så ofte og så lenge som nødvendig.
- Kjøl ned varme matvarer før du setter dem inn i boksen for å holde dem kjølige.
- Unngå unødvendig høy innetemperatur.
- For et optimalt strømforbruk plasserer du hyllene og skuffene i henhold til posisjonen deres ved levering.
- Kontroller regelmessig at dørtetningen fortsatt passer riktig.

- Rengjør kondensatoren regelmessig for støv og forurensinger.

7.2 Bruk av minibaren

Minibaren starter kjølingen når den kobles til strøm. Under normal drift lyser status-LED-lampen. Hvis det oppstår en feil, blinker feil-LED-lampen (se kapittel «Feilretting» på side 147).

7.3 Temperaturinnstilling

For å unngå matsvinn, skal du gjøre følgende:

- Hold temperatursvingningen så lav som mulig. Åpne minibaren bare så ofte og så lenge som nødvendig. Lagre matvarene slik at luften kan sirkulere godt.
- Minibaren er utstyrt med automatisk temperaturregulering. Velg gjennomsnittet av de mulige temperaturverdiene.
- Juster temperaturen etter mengde og type matvarer.

Minibaren er standardmessig innstilt på en kjøletemperatur på 7 °C ved en omgivelsestemperatur på 25 °C.

Med innstillingsknappen (fig. **3** 4, side 4) kan du stille inn kjøletemperaturen til en av tre verdier: 5 °C, 12 °C og 7 °C.

Her endres temperaturen i rekkefølgen 5 °C ... 12 °C ... 7 °C ... 5 °C osv.

- Trykk på innstillingsknappen (fig. **3** 4, side 4) og hold den inne i 5 sekunder til lampen (fig. **3** 1, side 4) begynner å blinke.
- Trykk straks på innstillingsknappen (fig. **3** 4, side 4) igjen.
- ✓ Lampen (fig. **3** 1, side 4) indikerer den innstilte temperaturen:
 - 5 °C: lampen blinker fem ganger i tre intervaller
 - 12 °C: lampen blinker én gang i tre intervaller
 - 7 °C: lampen blinker tre ganger i tre intervaller



MERK

Minibaren stiller automatisk inn kjøletemperaturen på 7 °C når den kobles til en strømkilde.

8 Feilretting

Problem	Mulig årsak	Løsningsforslag
Apparatet fungerer ikke, status-LED-lampen lyser ikke.	Det er ingen spenning i vekselspenningsuttaket.	Prøv å koble til en annen stikkontakt.
	Strømadapteren er defekt.	Ta kontakt med en servicepartner.
Apparatet kjøler ikke (støpselet er pluggert inn, status-LED-lampen lyser).	Kjøleelementet er defekt.	Ta kontakt med en servicepartner.
Feil-LED-lampen blinker én gang per sekund.	Temperatursensoren er defekt.	Ta kontakt med en servicepartner.
Feil-LED-lampen blinker to ganger per sekund.	Viften er defekt.	Ta kontakt med en servicepartner.
Apparatet kjøler ikke tilstrekkelig, status-LED-lampen lyser, feil-LED-lampen lyser ikke.	Kjøleelementet er defekt.	Ta kontakt med en servicepartner.
	Dårlig ventilasjon	Sjekk ventilasjonen. Rengjør filteret under apparatet.

9 Rengjøring og vedlikehold



PASS PÅ! Fare for skade!

- Kjøleapparatet må aldri rengjøres under rennende vann eller spyles.
- Bruk ikke slipende vaskemidler eller harde gjenstander til rengjøring, da det kan skade kjøleapparatet.

- Rengjør apparatet innvendig og utvendig fra tid til annen med en fuktig klut.
- Påse at ventilasjonsåpningene på apparatet er fri for støv og forurensinger, slik at varmen som oppstår under drift kan ledes bort og apparatet ikke tar skade.

- Rengjør inntaksfilteret regelmessig.
- Hvis du oppdager vann i dryppeskålen (fig. **2** 1, side 3), må du undersøke om dreneringssystemet er blokkert.

**PASS PÅ! Fare for skade**

Lampen kan bare erstattes av produsenten, servicepartner eller tilsvarende kvalifisert personale for å unngå farer.

10 Garanti

Lovmessig garantitid gjelder. Hvis produktet skulle være defekt, kontakter du din faghandler eller produsentens filial i ditt land (se dometic.com/dealer).

Ved henvendelser vedrørende reparasjon eller garanti, må du sende med følgende dokumentasjon:

- kopi av kvitteringen med kjøpsdato,
- årsak til reklamasjonen eller beskrivelse av feilen.

11 Avfallsbehandling

- Lever emballasje til resirkulering så langt det er mulig.



Når du tar produktet ut av drift for siste gang, må du sørge for å få informasjon om deponeringsforskrifter hos nærmeste resirkuleringsstasjon eller hos din faghandler.

12 Tekniske spesifikasjoner


Den aktuelle EU-konformitetserklæringen for ditt apparat får du på den respektive produksiden på dometic.com eller direkte via produsenten (se dometic.com/dealer).

Ytterligere produktinformasjon er tilgjengelig via QR-koden på energietiketten (se illustrasjonene) eller via eprel.ec.europa.eu.

Kjølekretsløpet inneholder R134a.

Inneholder fluoriserte drivhusgasser

Hermetisk lukket innretning

	DM 20D	DM 20F
Spenning:	220 – 240 V~, 50/60 Hz	
Kjøleeffekt:	maks. 20 °C under omgivelsestemperatur (justerbar i tre trinn: +5 °C, +7 °C, +12 °C)	
Kategori:	Kjeller	
Samlet kapasitet:	20 l	
Energimerking:	G	
Effektforbruk (ved en omgivelsestemperatur på +25 °C, +12 °C kjøleskap):	0,368 kWt/24 t	
Klimaklasse:	N	
Tiltenkt omgivelsestemperatur ved bruk:	+16 °C til +32 °C	
Støyutslipp:	15 dB(A)	
Kjølemiddelmengde:	48 g	
CO ₂ -ekvivalent:	0,069 t	
GWP-verdi:	1430	
Mål hovedskuff B x D x H:	285 x 228,5 x 112 mm	
Mål H x B x D (se også fig. 11, side 9):	365 x 384 x 428 mm	365 x 384 x 398 mm
Vekt:	12,3 kg	
Inspeksjon/sertifisering:		

Lue nämä ohjeet huolellisesti ja noudata kaikkia tämän tuotteen käyttöohjeissa annettuja ohjeita, määräyksiä ja varoituksia. Näin varmistat, että tuotteen asennus, käyttö ja huolto sujuu aina oikein. Näiden ohjeiden TÄYTYY jäädä tuotteen yhteyteen.

Käyttämällä tuotetta vahvistat lukeneesi kaikki ohjeet, määräykset ja varoitukset huolellisesti ja että ymmärrät ja hyväksyt tässä annetut ehdot. Sitoudut käyttämään tuotetta ainoastaan sen käyttötarkoitukseen ja ilmoitetuissa käyttökohteissa ja noudattaen tässä tuotteen käyttöohjeessa annettuja ohjeita, määräyksiä ja varoituksia sekä voimassa olevia lakeja ja määräyksiä. Tässä annettujen ohjeiden ja varoitusten lukematta ja noudattamatta jättäminen voi johtaa omaan tai muiden loukkaantumiseen, tuotteen vaurioitumiseen tai muiden, ympärillä olevien esineiden vaurioitumiseen. Tähän tuotteen käyttöohjeeseen, ohjeisiin, määräyksiin ja varoituksiin sekä oheisdokumentteihin voidaan tehdä muutoksia ja niitä voidaan päivittää. Katso ajantasaiset tuotetiedot osoitteesta www.dometic.com.

Sisältö

1	Symbolien selitykset	150
2	Turvallisuusohjeet	151
3	Toimituskokonaisuus	154
4	Käyttötarkoitus	154
5	Tekninen kuvaus	156
6	Asennus	157
7	Käyttö	159
8	Vianetsintä	161
9	Puhdistus ja hoito	161
10	Takuu	162
11	Hävittäminen	162
12	Tekniset tiedot	162

1 Symbolien selitykset



VAARA!

Turvallisuusohje koskien vaaratilannetta, joka johtaa kuolemaan tai vakavaan vammaan, jos tilannetta ei vältetä.



VAROITUS!

Turvallisuusohje koskien vaaratilannetta, joka voi johtaa kuolemaan tai vakavaan vammaan, jos tilannetta ei vältetä.

**HUOMIO!**

Turvallisuusohje koskien vaaratilannetta, joka voi johtaa lievään tai kohtalaiseen vammaan, jos tilannetta ei vältetä.

**HUOMAUTUS!**

Ohje koskien tilannetta, joka voi johtaa esinevahinkoihin, jos sitä ei vältetä.

**OHJE**

Tuotteen käyttöä koskevia lisätietoja.

2 Turvallisuusohjeet

2.1 Perusturvallisuus



VAROITUS! Näiden varoitusten noudattamatta jättäminen voi johtaa kuolemaan tai vakavaan vammaan.

Sähköiskun vaara

- Varmista, että minibaarin asennuksen on suorittanut pätevä asentaja Dometic-asennusopasta vastaavalla tavalla.
- Minibaaria ei saa ottaa käyttöön, jos siinä on näkyviä vaurioita.
- Jos tämän minibaarin liitäntäjohto on vaurioitunut, valmistajan, huolto-palvelun tai vastaavasti koulutetun ammattilaisen tulee vaihtaa se vaaratilanteiden välttämiseksi.
- Tätä minibaaria saavat korjata ainoastaan tehtävään pätevät ammattilaiset. Virheellisesti suoritetuista korjaustoista saattaa aiheutua huomattavia vaaroja.

Palovaara

- Jäähdytyskierron sisältämä kylmäaine on helposti syttyvää. Jos jäähdytyskierrossa on mikä tahansa vaurio:
 - Kytke minibaari pois päältä.
 - Ehkäise avotulen ja sytytyskipinöiden esiintyminen.
 - Tuuleta tila huolellisesti.

Räjähdysvaara

- Älä säilytä minibaarissa mitään räjähdysalttiita aineita kuten esim. suihkepurkkeja, joissa on punneainetta.

Terveysvaara

- Tätä minibaaria voivat käyttää valvonnan alaisuudessa myös vähintään 8-vuotiaat lapset samoin kuin henkilöt, joiden fyysiset, aistinvaraiset tai henkiset kyvyt ovat rajoittuneet tai joilta puuttuu laitteen käytön vaatima kokemus tai tietämys, mikäli edellä mainittuja henkilöitä on opastettu käyttämään minibaaria turvallisesti ja mikäli henkilöt ymmärtävät laitteen käyttöön liittyvät riskit.
- Lapset eivät saa leikkiä minibaarilla.
- Lapset eivät saa ilman valvontaa puhdistaa laitetta eivätkä ryhtyä käyttäjälle sallittuihin kunnossapitotöihin.
- 3–8-vuotiaat lapset saavat täyttää ja tyhjentää minibaaria.



HUOMIO! Näiden varoitusten noudattamatta jättäminen voi johtaa vähäiseen tai kohtalaiseen vammaan.

Rusentumisvaara

- Älä koske saranaan.

Terveysvaara

- Elintarvikkeita saa säilyttää vain alkuperäispakkauksissa tai tarkoitukseen sopivissa astioissa.



HUOMAUTUS! Vahingonvaara

- Vertaa tyyppikilven jännitetietoja käytettävissä olevaan energiansyöttöön.
- Minibaari ei sovellu syövyttävien tai liuottimia sisältävien aineiden varastointiin.
- Kylmälaitteen eristeet sisältävät syttyvää syklopentaania, joten ne vaativat erityisen hävittämismenetelmän. Kun kylmälaite on tullut käyttökänsä päähän, toimita se asianmukaiseen kierrätyspisteeseen.
- Pidä virtausaukko aina puhtaana.
- Älä missään tapauksessa avaa jäähdytyskiertoa.
- Kuljeta minibaaria vain pystyasennossa.

2.2 Minibaarin turvallinen käyttö



VAARA! Näiden varoitusten noudattamatta jättäminen johtaa kuolemaan tai vakavaan vammaan.

Sähköiskun vaara

- Älä kosketa avojohtimia koskaan paljain käsin.



HUOMIO! Näiden varoitusten noudattamatta jättäminen voi johtaa vähäiseen tai kohtalaiseen vammaan.

Sähköiskun vaara

- Huolehdi ennen minibaarin käyttöönottoa siitä, että johto ja pistoke ovat kuivia.

Terveysvaara

- Varmista, että panet minibaariin vain esineitä tai tuotteita, joita saa säilyttää valitussa lämpötilassa.
- Elintarvikkeita saa säilyttää vain alkuperäispakkauksissa tai tarkoitukseen sopivissa astioissa.
- Oven avaaminen pitkiksi ajoiksi voi merkittävästi nostaa lämpötilaa minibaarin lokeroissa.
- Puhdista säännöllisesti pinnat, jotka voivat joutua kosketuksiin elintarvikkeiden ja suojaamattomien viemärijärjestelmän osien kanssa.
- Jos minibaari jätetään tyhjäksi pitkäksi ajaksi:
 - Kytke minibaari pois päältä.
 - Sulata minibaari.
 - Puhdista ja kuivaa minibaari.
 - Jätä ovi auki, jotta minibaarin sisälle ei pääse muodostumaan homeita.



HUOMAUTUS! Vahingonvaara

- Sijoi ta painavat esineet kuten pullot ja tölkit vain minibaarin oveen tai alimmalle hyllylle.
- Älä käytä minibaarin sisällä sähkölaitteita, ellei valmistaja suosittele näitä sähkölaitteita tähän tarkoitukseen.
- Älä aseta laitetta alttiiksi avotulelle tai muille lämpölähteille (lämmitys, voimakas auringonpaiste, kaasu-uunit jne.).
- Varmista, että tuuletusaukkoja ei ole peitetty.
- Älä koskaan upota minibaaria veteen.
- Suojaa minibaari ja johto kuumuudelta ja kosteudelta.
- Huolehdi siitä, etteivät elintarvikkeet koske jääkaappiosaston seinää.



OHJE

- Valitse keskimääräinen lämpötila-asetus, mikäli ympäristön lämpötila on +15 °C ... +25 °C.

3 Toimituskokonaisuus

Saatavilla on seuraavat päävaihtoehdot:

- Minibaari DM20D ovipaneelilla, ilman lukkoa
- Minibaari DM20D ovipaneelilla ja lukolla
- Minibaari DM20F ilman ovipaneelia ja lukkoa
- Minibaari DM20F ilman ovipaneelia mutta lukolla

Määrä	Kuvaus	
1	Minibaari	
1	Vaihtovirtaliitäntäjohto	
2	Ruuvi Ø 4 x 45 mm (asennus)	
2	Ruuvi Ø 4 x 25 mm (etujalkojen asennus)	
2	Ruuvi M4 x 45 mm (kahvan asennus)	
2	Ruuvin suojatulppa (asennus)	
1	Kahva	Vain DM20D
2	Ruuvin suojatulppa (kahvan asennus)	Vain DM20D
2	Ruuvin suojatulppa (puupaneeli)	Vain puuversio DM20F
1	Lukon etulevy (puupaneeli)	Vain lukollinen puuversio DM20F
2	Avain	Vain lukollinen versio
1	Asennus- ja käyttöohje	

4 Käyttötarkoitus

Jäähdytyslaite (josta käytetään myös nimitystä minibaari) on suunniteltu käytettäväksi suljetuissa rakennuksissa, kuten:

- Henkilökuntakeittiöissä, toimistoissa ja muissa työpisteissä
- Maataloudessa
- Hotelleissa, motelleissa ja muissa majoitusliikkeissä
- Bed and breakfast -paikoissa
- Catering-toiminnassa tai vastaavassa tukkutoiminnassa

Minibaari ei sovi asennettavaksi asuntovaunuihin ja matkailuautoihin.

Minibaari on tarkoitettu asennettavaksi kaapistoon tai asennussyvennykseen.

Minibaari on suunniteltu yksinomaan suljetuissa astioissa olevien juomien ja ruokien jäädyttämiseen ja säilyttämiseen.

Minibaari ei sovi tuoreruokien tai lääkeaineiden säilyttämiseen eikä pakastamiseen.

Tämä minibaari soveltuu ainoastaan näissä ohjeissa ilmoitettuun käyttötarkoitukseen ja käyttökohteeseen.

Näistä ohjeista saat minibaarin asianmukaiseen asennukseen ja/tai käyttöön tarvittavat tiedot. Väärin tehdyn asennuksen ja/tai väärän käyttötavan tai vääränlaisen huollon seurauksena laite ei toimi tyydyttävästi, ja se saattaa mennä epäkuntoon.

Valmistaja ei ota vastuuta tapaturmista tai tuotevaurioista, jotka johtuvat seuraavista:

- Väärin tehty kokoaminen tai sähköliitäntä, ylijännite mukaan lukien
- Väärin tehty huolto tai muiden kuin valmistajalta saatavien alkuperäisten varaosien käyttö
- tuotteeseen ilman valmistajan nimenomaista lupaa tehdyt muutokset
- käyttö muuhun kuin tässä ohjeessa ilmoitettuun tarkoitukseen

Dometic pidättää itsellään oikeuden muutoksiin tuotteen ulkonäössä ja spesifikaatioissa.

5 Tekninen kuvaus

Minibaarissa on laatikko, johon mahtuu 12 tölkkiä (plus välipalapatukoita).

Hyllyt ja osastot on toimitettaessa sijoitettu niin, että laitteen käyttö on energiatehokasta.

Minibaarissa DM20D on antrasiitinvärinen paneeli ja vetokahva.

Minibaari DM20F toimitetaan ilman paneelia, ja siinä on asennusvalmius hotellin omalle ovipaneelille.

Sen jäähdytysjärjestelmä on kulumaton peltier-jäähdytysjärjestelmä.

Lukko on saatavilla lisävarusteena.

5.1 Laitekuvaus

Etupuoli

Kohta – kuva 1 , sivulla 3	Kuvaus
1	Lukko (optio)
2	Kahva (vain DM20D)
3	Ovipaneeli (vain DM20D)

Taustapuoli

Kohta – kuva 2 , sivulla 3	Kuvaus
1	Tippa-astia
2	Verkkolaite

Käyttöpaneeli (laitteen sisällä)

Kohta – kuva 3 , sivulla 4	Kuvaus
1	Lamppu
2	Virhe-LED
3	Tila-LED
4	Asetuspainike

Päälaatikko

Kohta – kuva 4 , sivulla 4	Kuvaus
1	Jakaja
2	Pullonpidike

6 Asennus



HUOMIO! Terveysriski

Jotta laitteen epävakaus ei aiheuttaisi vaaraa, se on kiinnitettävä ohjeiden mukaisesti.

6.1 Ohjeita kalusteisiin asentamiseen

Minibaarin voi asentaa kalusteisiin neljällä eri tavalla. Valitse mieleisesi vaihtoehto (kuva **5**, sivulla 5).

Noudata seuraavaa:

- Aukon mitat K x L x S ovat:
 - DM20D**: 385 x 404 x 428 mm
 - DM20F**: 385 x 404 x 426 + d mm
d tarkoittaa hotellin oman paneelin paksuutta
- Minibaarin taustan ja kalusteen seinämän väliin täytyy jättää etäisyyttä noin 10 mm.
- Tee tuuletusaukot valitun asennusvaihtoehdon mukaisesti (kuva **5**, sivulla 5).
- Tuloilmakanavan kautta kulkeva ilma ei saa lämmitä minkään lämmönlähteen (lämmityslaite, suora auringonpaiste, kaasu-uuni jne.) vaikutuksesta.

- Kiinnitä jääkaappi sopivilla ruuveilla (kuva **6** 1 ja 2, sivulla 6).

6.2 Minibaarin sähköliitäntä

- Työnnä vaihtovirtaliitäntäjohdon toinen pää vaihtovirtaliittimeen ja liitä toinen pää vaihtovirtapistorasiaan.
- ✓ Tila-LED syttyy.
- ✓ Minibaari alkaa jäähdyttää sisätilaansa.

6.3 Hotellin oman paneelin asennus (vain DM20F)

Hotellin oman ovipaneelin täytyy täyttää seuraavat vaatimukset:

- Enimmäispaino: 2 kg
- Enimmäispaksuus: 14 mm
- Kiinnitä paneeli neljällä ruuvilla.

6.4 Lukon asennus (vain lukollinen versio)

- Poraa paneeliin reikä, jonka halkaisija on 35 mm.
- Asenna lukko yhdessä lukon etulevyn kanssa.

6.5 Lukon asennus (vain lukoton versio)

Laatikon irrotus (kuva **7**, sivulla 7)

- Vedä laatikko kokonaan esiin.
- Paina kiskolukkoa (**A 1**).
- Vedä laatikko ulos kaapista.
- Ota tiiviste (**B 1**) pois paikaltaan.
- Poista lukon peite (**B 2**).
- Ota suojatulpat (**C 1**) pois ovenkahvan (**C 3**) ruuveista.
- Irrota ovenkahvan (**C 3**) ruuvit (**C 2**).
- Irrota ovenkahva (**C 3**).

Reikien poraaminen (kuva 8, sivulla 7)

- Pora paneelin ja oven läpi reikä, jonka halkaisija on 25 mm (A 1).
- Irrota koristekehysten (B 2) ruuvit (B 1).
- Ota koristekehys (B 2) pois.

Lukon asentaminen (kuva 9, sivulla 8)

- Aseta uusi lukon peite (A 1) paikalleen.
- Sijoita paneeli (B 1) koristekehykseen (B 3).
- Ruuvaa koristekehys (B 3) oveen (B 2).
- Asenna oven lukko (C 1).
- Asenna lukon salpa kaappiin (D 1).

Laatikon kokoaminen (kuva 10, sivulla 8)

- Paina tiiviste (1) koristekehykseen (2).
- Ruuvaa ovenkahva (4) oveen.
- Paina suojatulpat (3) ovenkahvan (4) ruuvien päälle.
- Työnnä laatikko kaappiin.

7 Käyttö



HUOMAUTUS! Vaurioitumisvaara

Vaaran välttämiseksi lampun voi vaihtaa vain valmistaja, asiakaspalvelu tai henkilö, jolla on vastaava pätevyys.

7.1 Energian säästäminen

- Avaa minibaari vain niin usein ja niin pitkäksi aikaa kuin on tarpeen.
- Anna lämpimien elintarvikkeiden jäähtyä, ennen kuin panet niitä laitteeseen kylmäsäilytettäväksi.
- Vältä tarpeettoman matalaa sisälämpötilaa.
- Ihanteellisen energiankulutuksen saavuttamiseksi laita sijoita ja laatikot niin kuin ne olivat toimituksen yhteydessä.
- Varmista säännöllisesti, että oven tiiviste istuu kunnolla.

- Puhdista lauhdutin säännöllisin väliajoin pölystä ja liasta.

7.2 Minibaarin käyttö

Minibaari alkaa jäähdyttää, kun virta kytketään. Normaalkäytön aikana tila-LED palaa. Vian ilmetessä vika-LED alkaa vilkkua (ks. kap. "Vianetsintä" sivulla 161).

7.3 Lämpötilan säätö

Huomaa seuraava ruokahävikin välttämiseksi:

- Pidä lämpötilan heilahtelu mahdollisimman pienenä. Avaa minibaari vain niin usein ja niin pitkäksi aikaa kuin on tarpeen. Säilytä elintarvikkeet niin, että ilma pääsee kiertämään hyvin.
- Minibaari on varustettu automaattisella lämpötilasäätötoiminnolla. Valitse mahdollisista lämpötila-arvoista keskimääräinen.
- Säädä lämpötila elintarvikkeiden määrää ja tyyppiä vastaavaksi.

Minibaarin oletusasetuksena on jäähdytyslämpötila 7 °C, ja ympäristön lämpötilan oletetaan olevan 25 °C.

Asetuspainikkeella (kuva **3** 4, sivulla 4) voit asettaa jäähdytyslämpötilaksi jonkin seuraavista arvoista: 5 °C, 12 °C tai 7 °C.

Tällöin lämpötila-asetus muuttuu järjestyksessä 5 °C ... 12 °C ... 7 °C ... 5 °C jne.

- Paina asetuspainiketta (kuva **3** 4, sivulla 4) 5 sekunnin ajan, kunnes valo (kuva **3** 1, sivulla 4) alkaa vilkkua.
- Paina asetuspainiketta (kuva **3** 4, sivulla 4) heti uudelleen.
- ✓ Valo (kuva **3** 1, sivulla 4) ilmoittaa asetuslämpötilan:
 - 5 °C: valo vilkahtaa viisi kertaa kolmessa jaksossa
 - 12 °C: valo vilkahtaa kerran kolmessa jaksossa
 - 7 °C: valo vilkahtaa kolme kertaa kolmessa jaksossa



OHJE

Minibaari asettaa jäähdytyslämpötilaksi automaattisesti 7 °C kun se liitetään virtalähteeseen.

8 Vianetsintä

Häiriö	Mahdollinen syy	Ratkaisuehdotus
Laite ei toimi, tila-LED ei pala.	Vaihtovirtapistorasiassa ei ole jännitettä.	Kokeile toista pistorasiaa.
	Verkkolaite on rikki.	Ota yhteyttä huoltoon.
Laite ei jäähdytä (pistoke on kiinnitetty, tila-LED loistaa).	Jäähdytyslementti on rikki.	Ota yhteyttä huoltoon.
Virhe-LED vilkahtaa keran sekunnissa.	Lämpötila-anturi on viallinen.	Ota yhteyttä huoltoon.
Virhe-LED vilkahtaa kaksi kertaa sekunnissa.	Puhallin on rikki.	Ota yhteyttä huoltoon.
Laite ei jäähdytä riittävästi, tila-LED loistaa, virhe-LED ei loista.	Jäähdytyslementti on rikki.	Ota yhteyttä huoltoon.
	Huono tuuletus	Tarkasta tuuletus. Puhdista laitteen pohjassa oleva suodatin.

9 Puhdistus ja hoito



HUOMAUTUS! Vaurioitumisvaara!

- Älä puhdista kylmälaitetta koskaan juoksevan veden alla tai tiskivedessä.
- Älä käytä puhdistamiseen kovia puhdistusaineita tai kovia esineitä, koska ne voivat vahingoittaa kylmälaitetta.

- Puhdistakaa laite toisinaan sisältä ja ulkoa kostealla liinalla.
- Varmista, että laitteen ilmanotto- ja poistoaukot ovat puhtaita pölystä ja liasta, jotta toiminnassa syntyvä lämpö voidaan johtaa pois ja laite ei pääse vaurioitumaan.

- Puhdista tulosuodatin ajoittain.
- Jos tippa-astiassa (kuva **2** 1, sivulla 3) on vettä, tarkista, onko poistoputkisto tukkeutunut.

**HUOMAUTUS! Vaurioitumisvaara**

Vaaran välttämiseksi lampun voi vaihtaa vain valmistaja, asiakaspalvelu tai henkilö, jolla on vastaava pätevyys.

10 Takuu

Laitetta koskee lakisääteinen takuu-aika. Jos tuote sattuu olemaan viallinen, käänny oman ammattikauppiaasi tai maasi valmistajan toimipisteen puoleen (katso dometic.com/dealer).

Korjaus- ja takuukäsittelyä varten lähetä mukana seuraavat asiakirjat:

- kopio ostolaskusta, jossa näkyy ostopäivä,
- valitusperuste tai vikakuvaus.

11 Hävittäminen

- Vie pakkausmateriaali mahdollisuuksien mukaan vastaavan kierrätysjätteen joukkoon.



Jos poistat tuotteen lopullisesti käytöstä, pyydä tietoa sen hävittämistä koskevista määräyksistä lähimmästä kierrätyskeskuksesta tai ammattiliikkeestäsi.

12 Tekniset tiedot


Laitteesi voimassa olevan EU-vaatimustenmukaisuusvakuutuksen saat kyseisen tuotteen sivulta osoitteesta dometic.com tai suoraan valmistajalta (ks. dometic.com/dealer).

Lisää tuotetietoja saat energiamerkin QR-koodin (ks. kuvat) kautta tai osoitteesta eprel.ec.europa.eu.

Jäähdytyskierto sisältää kylmäainetta R134a.

Sisältää fluorattuja kasvihuonekaasuja

Ilmatiiviisti suljetulla laitteella

	DM 20D	DM 20F
Jännite:	220 – 240 V~, 50/60 Hz	
Jäähdytysteho:	maks. 20 °C alle ympäristölämpötilan (säädettävissä kolmiportaisesti: +5 °C, +7 °C, +12 °C)	
Luokka:	Kellari	
Kokonaistilavuus:	20 l	
Energiatohokkuusluokka:	G	
Tehonkulutus (kun ympäristön lämpötila on +25 °C, pakastin +12 °C):	0,368 kWh/24 h	
Ilmastoluokka:	N	
Tarkoitettu käytön ympäristölämpö- tila:	+16 °C ... +32 °C	
Melupäästöt:	15 dB(A)	
Kylmäaineen määrä:	48 g	
CO ₂ -ekvivalentti:	0,069 t	
Vaikutus ilmaston lämpenemiseen (GWP):	1430	
Päälaitikon mitat L x S x K:	285 x 228,5 x maks. 112 mm	
Mitat K x L x S (ks. myös kuva 11 , sivulla 9):	365 x 384 x maks. 428 mm	365 x 384 x maks. 398 mm
Paino:	12,3 kg	
Tarkastus/sertifikaatti:		

Пожалуйста, внимательно прочтите и соблюдайте все указания, рекомендации и предупреждения, содержащиеся в этом руководстве по использованию изделия, чтобы гарантировать правильную установку, использование и обслуживание изделия. Эта инструкция ДОЛЖНА оставаться вместе с этим изделием.

Используя изделие, вы тем самым подтверждаете, что внимательно прочитали все указания, рекомендации и предупреждения, а также, что вы понимаете и соглашаетесь соблюдать положения и условия, изложенные в настоящем документе. Вы соглашаетесь использовать это изделие только по прямому назначению и в соответствии с указаниями, рекомендациями и предупреждениями, изложенными в данном руководстве по использованию изделия, а также в соответствии со всеми применимыми законами и правилами. Несоблюдение указаний и предупреждений, изложенных в данном документе может привести к травмам вас и других лиц, повреждению вашего изделия или повреждению другого имущества, находящегося поблизости. Данное руководство по использованию изделия, включая указания, рекомендации и предупреждения, а также сопутствующую документацию, может подвергаться изменениям и обновлениям. Актуальную информацию о продукте можно найти на сайте www.dometic.com.

Содержание

1	Пояснение к символам	164
2	Указания по технике безопасности	165
3	Комплект поставки	168
4	Использование по назначению	169
5	Техническое описание	170
6	Монтаж	171
7	Управление	173
8	Устранение неисправностей	175
9	Очистка и уход	176
10	Гарантия	177
11	Утилизация	177
12	Технические характеристики	177

1 Пояснение к символам



ОПАСНОСТЬ!

Указание по технике безопасности, указывающее на опасную ситуацию, которая ведет к смерти или серьезной травме, если ее не предотвратить.



ПРЕДУПРЕЖДЕНИЕ!

Указание по технике безопасности, указывающее на опасную ситуацию, которая может привести к смерти или серьезной травме, если ее не предотвратить.



ОСТОРОЖНО!

Указание по технике безопасности, указывающее на опасную ситуацию, которая может привести к травмам легкой или средней тяжести, если ее не предотвратить.



ВНИМАНИЕ!

Указание на ситуацию, которая может привести к материальному ущербу, если ее не предотвратить.



УКАЗАНИЕ

Дополнительная информация по управлению продуктом.

2 Указания по технике безопасности

2.1 Основные указания по технике безопасности



ПРЕДУПРЕЖДЕНИЕ! Несоблюдение этих предупреждений может привести к смерти или серьезной травме.

Опасность поражения электрическим током

- Убедитесь, что мини-бар был установлен квалифицированным специалистом в соответствии с руководством по монтажу Dometic.
- Запрещается эксплуатировать мини-бар, если он имеет видимые повреждения.
- Во избежание опасных ситуаций в случае повреждения питающего кабеля необходимо заменить мини-бар, обратившись к изготовителю, в сервисный центр или к специалисту с аналогичной квалификацией.
- Ремонт данного мини-бара разрешается выполнять только квалифицированному персоналу. Если ремонт выполнен неправильно, эксплуатация устройства может представлять опасность.

Опасность возникновения пожара

- Хладагент в холодильном контуре легко воспламеняется. В случае повреждения контура хладагента:
 - Выключите мини-бар.
 - Избегайте открытого огня и искр.
 - Хорошо проветрите помещение.

Опасность взрыва

- Не храните в мини-баре взрывоопасные вещества, например, аэрозольные баллоны с горючим газами-вытеснителями.

Опасность для здоровья

- Этот мини-бар может использоваться детьми с 8-ми лет и старше, а также лицами с ограниченными физическими, сенсорными и умственными возможностями или при недостатке необходимого опыта и знаний только под присмотром или после прохождения инструктажа по безопасному использованию мини-бара, если они понимают опасности, которые при этом могут возникнуть.
- Детям запрещается играть с мини-баром.
- Запрещается выполнять очистку и пользовательское техническое обслуживание детям без присмотра.
- Детям в возрасте от 3 до 8 лет разрешается загружать и разгружать мини-бар.

**ОСТОРОЖНО! Несоблюдение этих предостережений может привести к травме легкой или средней степени тяжести.****Опасность сдавливания**

- Не беритесь за петлю.

Опасность для здоровья

- Продукты питания разрешается хранить только в оригинальной упаковке или подходящих емкостях.

**ВНИМАНИЕ! Риск повреждения**

- Убедитесь, что значения напряжения, указанные на заводской табличке, соответствуют характеристикам имеющегося источника питания.
- Мини-бар не предназначен для хранения едких или содержащих растворители веществ.
- В изоляции холодильника содержится горючий циклопентан, который требует особого метода утилизации. По окончании срока службы сдайте охлаждающее устройство в соответствующий центр утилизации.
- Всегда содержите в чистоте сливное отверстие.
- Категорически запрещается вскрывать холодильный контур.
- Переносите мини-бар только в вертикальном положении.

2.2 Безопасная эксплуатация мини-бара



ОПАСНОСТЬ! Несоблюдение этих предупреждений ведет к смерти или серьезной травме.

Опасность поражения электрическим током

- Не беритесь голыми руками за оголенные провода.



ОСТОРОЖНО! Несоблюдение этих предостережений может привести к травме легкой или средней степени тяжести.

Опасность поражения электрическим током

- Перед включением убедитесь, что питающий кабель и штекер сухие.

Опасность для здоровья

- Следите за тем, чтобы в мини-баре находились только предметы и продукты, которые разрешается охлаждать до выбранной температуры.
- Продукты питания разрешается хранить только в оригинальной упаковке или в подходящих емкостях.
- Удерживание двери холодильника открытой в течение длительного времени может привести к существенному повышению температуры внутри мини-бара.
- Регулярно очищайте поверхности, которые могут контактировать с пищевыми продуктами и доступными сливными системами.
- Если мини-бар остается пустым в течение длительного времени:
 - Выключите мини-бар.
 - Разморозьте мини-бар.
 - Очистите и высушите мини-бар.
 - Оставьте дверь открытой, чтобы предотвратить образование плесени внутри мини-бара.



ВНИМАНИЕ! Риск повреждения

- Тяжелыми предметами, такими как бутылки или банки, заставляйте исключительно полки на двери мини-бара или нижнюю решетку.
- Не используйте электроприборы внутри мини-бара, за исключением случаев, когда эти приборы рекомендованы для этого изготовителем.
- Не устанавливайте устройство вблизи открытого огня или других источников тепла (радиаторов отопления, сильных солнечных лучей, газовых печей и т. п.).
- Убедитесь в том, что вентиляционные отверстия не перекрыты.

- Не погружайте мини-бар в воду.
- Предохраняйте мини-бар и кабели от воздействия жары и влаги.
- Следите за тем, чтобы продукты питания не касались внутренних стенок холодильника.



УКАЗАНИЕ

- Если температура окружающей среды составляет от +15 °С до +25 °С, выберите среднюю настройку температуры.

3 Комплект поставки

Доступны следующие основные альтернативы:

- Мини-бар DM 20D с декоративной панелью, без замка
- Мини-бар DM 20D с декоративной панелью, с замком
- Мини-бар DM 20F без декоративной панели, без замка
- Мини-бар DM 20F без декоративной панели, с замком

Количество	Наименование	
1	Мини-бар	
1	Соединительный кабель переменного тока	
2	Винт Ø 4 x 45 мм (монтаж)	
2	Винт Ø 4 x 25 мм (монтаж передних ножек)	
2	Винт М4 x 45 мм (монтаж ручки)	
2	Заглушка (монтаж)	
1	Ручка	Только DM 20D
2	Заглушка (монтаж ручки)	Только DM 20D
2	Заглушка (деревянная панель)	Только деревянная версия DM 20F
1	Декор замка (деревянная панель)	Только деревянная версия DM 20F с замком
2	Пояснения	Только версия с замком
1	Руководство по эксплуатации и монтажу	

4 Использование по назначению

Охлаждающее устройство (также называемое мини-баром) предназначено для работы в закрытых помещениях, например:

- на кухнях для персонала в магазинах, офисах и других рабочих зонах
- в аграрном секторе
- в отелях, мотелях и других местах проживания
- в гостиницах типа «постель и завтрак»
- на предприятиях общественного питания или аналогичных предприятиях оптовой торговли

Мини-бар не рассчитан для монтажа в жилых фургонах или кемперах.

Мини-бар предназначен для установки в шкафу или в монтажной нише.

Мини-бар предназначен исключительно для охлаждения и хранения напитков и продуктов питания в закрытых емкостях.

Мини-бар не пригоден для хранения свежих продуктов и лекарств, а также для замораживания продуктов.

Этот мини-бар подходит только для использования по назначению и применения в соответствии с данной инструкцией.

В данной инструкции содержится информация, необходимая для правильного монтажа и/или эксплуатации мини-бара. Неправильный монтаж и/или ненадлежащая эксплуатация или техническое обслуживание приводят к неудовлетворительной работе и возможному отказу.

Изготовитель не несет ответственности за какие-либо травмы или повреждение продукта в результате следующих причин:

- Неправильная сборка или подключение, включая повышенное напряжение
- Неправильное техническое обслуживание или использование запасных частей, отличных от оригинальных запасных частей, предоставленных изготовителем
- Изменения в продукте, выполненные без однозначного разрешения изготовителя
- Использование в целях, отличных от указанных в данной инструкции

Компания Dometic оставляет за собой право изменять внешний вид и технические характеристики продукта.

5 Техническое описание

Мини-бар имеет выдвижной ящик для 12 банок (плюс закуски).

При поставке предоставленные полки и отделения расположены таким образом, чтобы устройство могло работать в энергосберегающем режиме.

Мини-бар DM 20D оснащен антрацитовый панелью и ручкой.

Мини-бар DM 20F поставляется без панели и подготовлен к установке собственной декоративной дверной панели гостиницы.

Его система охлаждения представляет собой неизнашиваемые элементы Пельтье.

Замок доступен в качестве опции.

5.1 Описание прибора

Лицевая сторона

Поз. на рис. 1 , стр. 3	Наименование
1	Замок (опция)
2	Ручка (только DM20D)
3	Декоративная панель (только DM20D)

Задняя сторона

Поз. на рис. 2 , стр. 3	Наименование
1	Поддон
2	Сетевой адаптер

Панель управления (внутри устройства)

Поз. на рис. 3 , стр. 4	Наименование
1	Лампа
2	Светодиодный индикатор ошибки
3	Светодиодный индикатор состояния
4	Кнопка настройки

Главный ящик

Поз. на рис. 4 , стр. 4	Наименование
1	Разделитель
2	Держатель для бутылок

6 Монтаж



ОСТОРОЖНО! Опасность для здоровья

Во избежание опасности из-за неустойчивости устройства оно должно быть закреплено в соответствии с инструкциями.

6.1 Указания по установке в мебель

Мини-бар можно встроить в мебель четырьмя способами. Выберите предпочтительный вариант (рис. **5**, стр. 5).

Соблюдайте следующие указания:

- Размеры выреза В x Ш x Г:
 - **DM20D**: 385 x 404 x 428 мм
 - **DM20F**: 385 x 404 x 426 + d мм
 d – толщина собственной декоративной панели гостиницы
- Зазор между задней стенкой мини-бара и стеной мебели должен составлять ок. 10 мм.
- Вентиляционные отверстия для выбранного варианта должны быть изготовлены (рис. **5**, стр. 5).

- Воздух, проходящий через приточный воздуховод, не должен нагреваться какими-либо источниками тепла (обогреватели, прямые солнечные лучи, газовые печи и т. д.).
- Закрепите холодильник подходящими винтами (рис. **6** 1 и 2, стр. 6).

6.2 Электрическое подключение мини-бара

- Вставьте кабель переменного тока в разъем переменного тока и подсоедините его к сети переменного тока.
- ✓ Загорается светодиодный индикатор состояния.
- ✓ Мини-бар начинает охлаждать внутреннее пространство.

6.3 Монтаж собственной декоративной панели гостиницы (только DM 20F)

Собственная декоративная панель гостиницы должна соответствовать следующим требованиям:

- Максимальный вес: 2 кг
- Максимальная толщина: 14 мм
- Закрепите декоративную панель четырьмя винтами.

6.4 Монтаж замка (только версия с замком)

- Просверлите отверстие диаметром 35 мм в декоративной панели.
- Установите замок вместе с декором замка.

6.5 Монтаж замка (только версия без замка)

Разборка ящика (рис. **7**, стр. 7)

- Полностью откройте ящик.
- Нажмите фиксатор направляющей (**A 1**).
- Вытяните ящик из шкафа.
- Снимите уплотнение (**B 1**).
- Снимите крышку замка (**B 2**).
- Снимите заглушки (**C 1**) с винтов ручки двери (**C 3**).

- Вывинтите винты (**С 2**) ручки двери (**С 3**).
- Снимите ручку двери (**С 3**).

Сверление отверстий (рис. 8, стр. 7)

- Просверлите отверстие диаметром 25 мм через декоративную панель и дверь (**А 1**).
- Вывинтите винты (**В 1**) рамы декоративной панели (**В 2**).
- Снимите раму декоративной панели (**В 2**).

Сборка замка (рис. 9, стр. 8)

- Установите новую крышку замка (**А 1**) на место.
- Вставьте декоративную панель (**В 1**) в раму (**В 3**).
- Привинтите раму (**В 3**) к двери (**В 2**).
- Установите дверной замок (**С 1**).
- Установите защелку замка в шкаф (**Д 1**).

Сборка ящика (рис. 10, стр. 8)

- Наденьте уплотнение (**1**) на раму (**2**).
- Привинтите ручку (**4**) к двери.
- Наденьте заглушки (**3**) на винты ручки двери (**4**).
- Вставьте ящик в шкаф.

7 Управление



ВНИМАНИЕ! Опасность повреждения

Во избежание опасных ситуаций замену лампы разрешается выполнять только производителю, сервисной службе или лицу, обладающему соответствующей или аналогичной квалификацией.

7.1 Энергосбережение

- Открывайте мини-бар настолько часто, насколько необходимо.
- Дайте теплым блюдам охладиться, прежде чем поддерживать их в холодном состоянии в холодильнике.
- Не допускайте очень низких температур в камере.
- Для оптимального потребления энергии расположите полки и ящики в соответствии с их положением при поставке.
- Регулярно следите за тем, что уплотнение двери по-прежнему прилегает правильно.
- Регулярно очищайте конденсатор от пыли и загрязнений.

7.2 Использование мини-бара

При подключении к сети мини-бар начинает охлаждение. Во время нормальной работы светится светодиод «Status». При возникновении ошибки светодиод «Error» мигает (см. гл. «Устранение неисправностей» на стр. 175).

7.3 Настройка температуры

Чтобы избежать пищевых отходов, обратите внимание на следующее:

- Обеспечивайте как можно меньшие колебания температуры. Открывайте мини-бар настолько часто, насколько необходимо. Храните продукты так, чтобы воздух мог хорошо циркулировать.
- Мини-бар оснащен функцией автоматической регулировки температуры. Выбирайте среднее из возможных значений температуры.
- Отрегулируйте температуру в соответствии с количеством и типом продуктов.

По умолчанию для мини-бара установлена температура охлаждения 7 °C при температуре окружающей среды 25 °C.

Вы можете использовать кнопку настройки (рис. **3** 4, стр. 4), чтобы установить одно из трех значений температуры охлаждения: 5 °C, 12 °C и 7 °C.

При этом температура изменяется в порядке 5 °C ... 12 °C ... 7 °C ... 5 °C и т. д.

- Нажмите кнопку настройки (рис. **3** 4, стр. 4) и удерживайте ее нажатой в течение 5 секунд, пока лампа (рис. **3** 1, стр. 4) не начнет мигать.
- Сразу же нажмите кнопку настройки (рис. **3** 4, стр. 4) еще раз.

- ✓ Лампа (рис. **3** 1, стр. 4) указывает настроенную температуру:
 - 5 °С: лампа мигает пять раз с тремя интервалами
 - 12 °С: лампа мигает один раз с тремя интервалами
 - 7 °С: лампа мигает три раза с тремя интервалами



УКАЗАНИЕ

Мини-бар автоматически устанавливает температуру охлаждения на 7 °С, когда он подключается к источнику питания.

8 Устранение неисправностей

Неисправность	Возможные причины	Вариант устранения
Прибор не работает, светодиодный индикатор состояния не горит.	Отсутствует напряжение в розетке переменного тока.	Попробуйте подключить прибор к другой розетке.
	Неисправен сетевой адаптер.	Обратитесь в сервисный центр.
Прибор не охлаждает (штекер вставлен, светодиодный индикатор состояния горит).	Неисправен охлаждающий элемент.	Обратитесь в сервисный центр.
Светодиодный индикатор ошибки мигает один раз в секунду.	Датчик температуры неисправен.	Обратитесь в сервисный центр.
Светодиодный индикатор ошибки мигает два раза в секунду.	Неисправен вентилятор.	Обратитесь в сервисный центр.
Прибор недостаточно охлаждает, светодиодный индикатор состояния светится, светодиодный индикатор ошибки не светится.	Неисправен охлаждающий элемент.	Обратитесь в сервисный центр.
	Плохая вентиляция	Проверьте вентиляцию. Очистите фильтр под устройством.

9 Очистка и уход



ВНИМАНИЕ! Опасность повреждения!

- Категорически запрещается чистить прибор под струей воды или даже в емкости с водой.
- Не используйте для чистки абразивные чистящие средства или острые предметы, т. к. они могут привести к повреждениям холодильника.

- Периодически очищайте прибор снаружи и изнутри влажной тряпкой.
- Убедитесь в том, что приточно-вытяжные вентиляционные отверстия очищены от пыли загрязнений, чтобы можно было отвести возникающее при работе тепло и предотвратить опасность повреждения прибора.
- Регулярно очищайте входной фильтр.
- Если вы обнаружили воду в поддоне (рис. **2** 1, стр. 3), проверьте, не заблокирована ли дренажная система.



ВНИМАНИЕ! Опасность повреждения

Во избежание опасных ситуаций замену лампы разрешается выполнять только производителю, сервисной службе или лицу, обладающему соответствующей или аналогичной квалификацией.

10 Гарантия

Действителен установленный законом срок гарантии. Если продукт неисправен, обратитесь в торговую организацию или в представительство изготовителя в Вашей стране (см. dometic.com/dealer).

В целях проведения ремонта или гарантийного обслуживания Вы должны также послать следующие документы:

- копию счета с датой покупки,
- причину рекламации или описание неисправности.

11 Утилизация

- По возможности, выкидывайте упаковочный материал в мусор, подлежащий вторичной переработке.



Если Вы окончательно выводите продукт из эксплуатации, то получите информацию в ближайшем центре по вторичной переработке или в торговой сети о соответствующих предписаниях по утилизации.

12 Технические характеристики


Копию действующей декларации соответствия стандартам ЕС на устройство можно получить на странице соответствующего изделия на сайте dometic.com или у производителя (см. dometic.com/dealer).

Дополнительную информацию о продукте можно получить, отсканировав QR-код на наклейке для маркировки энергоэффективности (см. рисунки) или на сайте eprel.ec.europa.eu.

Холодильный контур содержит R134a.

Содержит фторированные парниковые газы

Герметически закрытая конструкция

	DM20D	DM20F
Напряжение:	220 – 240 В~, 50/60 Гц	
Холодопроизводительность:	макс. 20 °С ниже температуры окружающей среды (регулируется на трех уровнях: +5 °С, +7 °С, +12 °С)	
Категория:	Погреб	
Общий объем:	20 л	
Класс энергоэффективности:	G	
Потребляемая мощность (при температуре окружающей среды +25 °С, холодильник +12 °С):	0,368 кВтч/24 ч	
Климатический класс:	N	
Предполагаемая температура окружающей среды:	от +16 °С до +32 °С	
Акустическая эмиссия:	15 дБ (А)	
Количество хладагента:	48 г	
СО ₂ -эквивалент:	0,069 т	
Потенциал глобального потепле- ния (GWP):	1430	
Размеры главного ящика Ш x Г x В:	285 x 228,5 x 112 мм	
Размеры В x Ш x Г (см. также рис. 11, стр. 9):	365 x 384 x 428 мм	365 x 384 x 398 мм
Вес:	12,3 кг	
Испытания/сертификат:		

Prosimy o uważne przeczytanie niniejszej instrukcji i przestrzeganie wszystkich instrukcji, wskazówek i ostrzeżeń zawartych w niniejszej instrukcji produktu. Pozwoli to przez cały czas zapewnić prawidłową instalację, zastosowanie oraz konserwację produktu. Niniejsza instrukcja MUSI przez cały czas pozostawać przy produkcie.

Korzystając z produktu, użytkownik potwierdza uważne przeczytanie wszelkich instrukcji, wskazówek i ostrzeżeń, ich zrozumienie oraz zobowiązuje się przestrzegać zawartych w nich warunków. Użytkownik zobowiązuje się wykorzystywać niniejszy produkt wyłącznie zgodnie z jego przeznaczeniem i zamierzonym zastosowaniem oraz z instrukcjami, wskazówkami i ostrzeżeniami wyszczególnionymi w niniejszej instrukcji produktu, jak również ze wszystkimi mającymi zastosowanie przepisami i regulacjami prawnymi. Nieprzestrzeganie zawartych tu instrukcji i ostrzeżeń może skutkować obrażeniami u użytkownika oraz osób trzecich, uszkodzeniem produktu lub też uszkodzeniem mienia w sąsiedztwie produktu. Zastrzega się możliwość wprowadzania zmian i aktualizacji niniejszej instrukcji produktu, wraz z instrukcjami, wskazówkami i ostrzeżeniami oraz powiązaną dokumentacją. Aktualne informacje dotyczące produktu można zawsze znaleźć na stronie www.dometic.com.

Spis treści

1	Objaśnienie symboli	179
2	Wskazówki bezpieczeństwa	180
3	W zestawie	183
4	Użytkowanie zgodne z przeznaczeniem	183
5	Opis techniczny	185
6	Montaż.	186
7	Eksploatacja.	188
8	Usuwanie usterek	190
9	Czyszczenie i konserwacja	190
10	Gwarancja	191
11	Utylizacja	191
12	Dane techniczne	191

1 Objąśnienie symboli



NIEBEZPIECZEŃSTWO!

Wskazówka bezpieczeństwa informująca o niebezpiecznej sytuacji, która – jeśli się jej nie uniknie – prowadzi do śmierci lub ciężkich obrażeń.



OSTRZEŻENIE!

Wskazówka bezpieczeństwa informująca o niebezpiecznej sytuacji, która – jeśli się jej nie uniknie – może prowadzić do śmierci lub ciężkich obrażeń.

**OSTROŻNIE!**

Wskazówka bezpieczeństwa informująca o niebezpiecznej sytuacji, która – jeśli się jej nie uniknie – może prowadzić do lekkich lub średnich obrażeń.

**UWAGA!**

Wskazówka informująca o sytuacji, która – jeśli się jej nie uniknie – może prowadzić do powstania szkód materialnych.

**WSKAZÓWKA**

Informacje uzupełniające dotyczące obsługi produktu.

2 Wskazówki bezpieczeństwa

2.1 Podstawowe zasady bezpieczeństwa



OSTRZEŻENIE! Nieprzestrzeganie tych ostrzeżeń może prowadzić do śmierci lub ciężkich obrażeń.

Ryzyko porażenia prądem

- Upewnić się, że minibar został zainstalowany przez wykwalifikowanego technika zgodnie z instrukcją montażu Dometic.
- Nie używać minibaru, jeśli ma on widoczne uszkodzenia.
- Jeśli przewód minibaru ulegnie uszkodzeniu, aby uniknąć zagrożenia musi zostać on wymieniony przez producenta, jego serwis lub odpowiednio wykwalifikowaną osobę.
- Napraw minibaru mogą dokonywać tylko odpowiednio wykwalifikowane osoby. Nieodpowiednio wykonane naprawy mogą być przyczyną poważnych zagrożeń.

Ryzyko pożaru

- Czynniki chłodnicze w obiegu chłodniczym jest łatwopalny. W razie uszkodzenia obiegu czynnika chłodniczego:
 - Wyłączyć minibar.
 - Unikać otwartego ognia i iskier.
 - Dobrze przewietrzyć pomieszczenie.

Ryzyko wybuchu

- W minibarze nie wolno przechowywać substancji wybuchowych, np. pojemników aerosolowych z gazem wytłaczającym.

Zagrożenie zdrowia

- Dzieci od 8 lat i osoby o ograniczonych możliwościach fizycznych, sensorycznych lub intelektualnych oraz osoby niedysponujące stosowną wiedzą i doświadczeniem mogą używać minibaru jedynie pod nadzorem innej osoby bądź pod warunkiem uzyskania informacji dotyczących bezpiecznego użytkowania minibaru i zrozumienia wynikających z tego zagrożeń.
- Dzieci nie mogą bawić się minibarem.
- Dzieci nie mogą czyścić i konserwować urządzenia bez nadzoru.
- Dzieci od 3 do 8 lat mogą napełniać i opróżniać minibar.



OSTROŻNIE! Nieprzestrzeganie tych uwag może prowadzić do lekkich lub umiarkowanych obrażeń.

Ryzyko zmiążdżenia

- Nie dotykać zawiasu.

Zagrożenie zdrowia

- Artykuły spożywcze mogą być przechowywane tylko w oryginalnych opakowaniach lub w odpowiednich pojemnikach.

**UWAGA! Ryzyko uszkodzenia**

- Należy porównać dane dotyczące napięcia na tabliczce znamionowej z dostępnym źródłem zasilania.
- Minibar nie nadaje się do przechowywania substancji żrących ani zawierających rozpuszczalniki.
- Izolacja tego urządzenia chłodniczego zawiera palny cyklopentan, przez co wymaga ono specjalnej procedury utylizacyjnej. Po zaprzestaniu jego dalszej eksploatacji urządzenie chłodnicze należy dostarczyć do specjalistycznego zakładu utylizacyjnego.
- Otwór odpływowy zawsze utrzymywać w czystym stanie.
- W żadnym wypadku nie otwierać obiegu chłodzenia.
- Minibar można przenosić tylko w pozycji pionowej.

2.2 Bezpieczne użytkowanie minibaru

NIEBEZPIECZEŃSTWO! Nieprzestrzeganie tych ostrzeżeń prowadzi do śmierci lub ciężkich obrażeń.

Ryzyko porażenia prądem

- Nigdy nie chwytać gołymi rękami nieosłoniętych przewodów.

**OSTROŻNIE! Nieprzestrzeganie tych uwag może prowadzić do lekkich lub umiarkowanych obrażeń.****Ryzyko porażenia prądem**

- Przed uruchomieniem minibaru należy sprawdzić, czy przewód zasilający i wtyczka są suche.

Zagrożenie zdrowia

- Należy uważać, aby w minibarze umieszczać tylko artykuły, które mogą być przechowywane w ustawionej w nim temperaturze.
- Artykuły spożywcze mogą być przechowywane tylko w oryginalnych opakowaniach lub w odpowiednich pojemnikach.
- Pozostawianie drzwi minibaru otwartych przez dłuższy czas może spowodować znaczny wzrost temperatury w jego komorach.
- Regularnie czyścić powierzchnie, które mogą mieć kontakt z żywnością i dostępnymi układami odprowadzania wody.
- Jeśli minibar pozostaje pusty przez długi czas:
 - Wyłączyć minibar.
 - Odszronić minibar.
 - Wyczyścić i wysuszyć minibar.
 - Pozostawić otwarte drzwi, aby w minibarze nie rozwijała się pleśń.

**UWAGA! Ryzyko uszkodzenia**

- Ciężkie przedmioty, takie jak butelki czy puszki, należy umieszczać wyłącznie w drzwiach minibaru lub na dolnej półce.
- Nie używać żadnych urządzeń elektrycznych wewnątrz minibaru, chyba że zostało to zalecone przez producenta.
- Nie ustawiać urządzenia w pobliżu otwartego ognia ani innych źródeł ciepła (ogrzewanie, silne promieniowanie słoneczne, piec gazowy itp.).
- Upewnić się, czy otwory wentylacyjne nie są zakryte.
- Nigdy nie zanurzać minibaru w wodzie.
- Chronić minibar i przewody przed wysokimi temperaturami i wilgocią.
- Zwracać uwagę, aby produkty spożywcze nie dotykały ścian komory chłodzącej.

**WSKAZÓWKA**

- W przypadku temperatur otoczenia wynoszących od +15 °C do +25 °C należy wybrać średnie ustawienie temperatury.

3 W zestawie

Dostępne są następujące główne warianty:

- Minibar DM20D z panelem dekoracyjnym drzwi, bez zamka
- Minibar DM20D z panelem dekoracyjnym drzwi, z zamkiem
- Minibar DM20F bez panelu dekoracyjnego drzwi, bez zamka
- Minibar DM20F bez panelu dekoracyjnego drzwi, z zamkiem

Ilość	Opis	
1	Minibar	
1	Kabel przyłączeniowy prądu przemiennego	
2	Śruba \varnothing 4 x 45 mm (do montażu)	
2	Śruba \varnothing 4 x 25 mm (do montażu przednich nóżek)	
2	Śruba M4 x 45 mm (do montażu uchwyty)	
2	Zaślepka (do montażu)	
1	Uchwyt do przenoszenia	Tylko DM20D
2	Zaślepka (do montażu uchwyty)	Tylko DM20D
2	Zaślepka (do drewnianego panelu)	Tylko wersja DM20F z drewnianym panelem
1	Panel dekoracyjny zamka (do drewnianego panelu)	Tylko wersja DM20F z drewnianym panelem i zamkiem
2	Legenda	Tylko wersja z zamkiem
1	Instrukcja montażu i obsługi	

4 Użytkowanie zgodne z przeznaczeniem

Urządzenie chłodnicze (zwane również minibarem) jest przeznaczone do eksploatacji w zamkniętych pomieszczeniach wewnątrz budynków, np.:

- W kuchniach dla personelu w sklepach, biurach i innych miejscach pracy
- W sektorze rolniczym
- W hotelach, motelach i innych rodzajach zakwaterowania
- W kwaterach prywatnych i pensjonatach
- W cateringu lub podobnych rodzajach działalności hurtowej na małą skalę

Minibar nie nadaje się do instalacji w przyczepach kempingowych ani w kamperach.

Minibar jest przeznaczony do instalacji w meblach lub we wnęce.

Minibar służy wyłącznie do chłodzenia i przechowywania napojów oraz żywności w zamkniętych pojemnikach.

Minibar nie nadaje się do przechowywania świeżej żywności oraz lekarstw ani zamrażania żywności.

Minibar jest przystosowany wyłącznie do wykorzystywania zgodnie z jego przeznaczeniem oraz zamierzonym zastosowaniem według niniejszej instrukcji.

Niniejsza instrukcja zawiera informacje, które są niezbędne do prawidłowego montażu i/lub obsługi minibaru. Nieprawidłowy montaż i/lub niewłaściwa obsługa lub konserwacja powodują niezadowalające rezultaty i mogą prowadzić do uszkodzeń.

Producent nie ponosi żadnej odpowiedzialności za ewentualne obrażenia lub uszkodzenia produktu wynikłe z następujących przyczyn:

- Nieprawidłowy montaż lub podłączenie, w tym zbyt wysokie napięcie
- Niewłaściwa konserwacja lub użycie innych części zamiennych niż oryginalne części zamienne dostarczone przez producenta
- Wprowadzanie zmian w produkcie bez wyraźnej zgody producenta
- Użytkowanie w celach innych niż opisane w niniejszej instrukcji obsługi

Firma Dometic zastrzega sobie prawo do zmiany wyglądu i specyfikacji produktu.

5 Opis techniczny

Minibar wyposażony jest w szufladę z miejscem na 12 puszek (oraz batony).

Urządzenie dostarczane jest z półkami i przegródkami rozmieszczonymi w sposób zapewniający maksymalnie wydajne wykorzystanie energii.

Minibar DM20D posiada antracytowy paneli uchwyt do wyciągania szuflady.

Minibar DM dostarczany jest bez panelu i jest przygotowany do montażu własnego panelu dekoracyjnego drzwi, zapewnianego przez hotel.

Jako układ chłodzenia wykorzystywane są nieulegające zużyciu ogniwa Peltiera.

Zamek jest dostępny jako opcja.

5.1 Opis urządzenia

Przednia strona

Poz. na rys. 1 , strona 3	Opis
1	Zamek (opcja)
2	Uchwyt (tylko DM20D)
3	Panel dekoracyjny drzwi (tylko DM20D)

Tylna strona

Poz. na rys. 2 , strona 3	Opis
1	Zbiornik na skropliny
2	Zasilacz sieciowy

Panel sterowania (wewnątrz urządzenia)

Poz. na rys. 3 , strona 4	Opis
1	Lampka
2	Dioda LED sygnalizacji usterek
3	Dioda LED stanu
4	Przycisk ustawiania

Główna szuflada

Poz. na rys. 4 , strona 4	Opis
1	Przegroda
2	Uchwyt na butelki

6 Montaż



OSTROŻNIE! Zagrożenie zdrowia

Aby uniknąć niebezpieczeństwa spowodowanego niestabilnym ustawieniem urządzenia, należy je zamocować zgodnie z instrukcją.

6.1 Wskazówki dotyczące montażu w meblach

Minibar można zamontować w meblach na cztery sposoby. Należy wybrać najdogodniejszy wariant (rys. **5**, strona 5).

Przestrzegać następujących instrukcji:

- Wymiary wnęki (wys. x szer. x gł.) wynoszą:
 - DM20D**: 385 x 404 x 428 mm
 - DM20F**: 385 x 404 x 426 + d mm
 „d” oznacza grubość zapewnianego przez hotel własnego panelu dekoracyjnego.
- Odległość pomiędzy tylną ścianką minibaru a ścianką mebla powinna wynosić co najmniej 10 mm.
- Należy wykonać otwory wentylacyjne dla wybranego wariantu (rys. **5**, strona 5).

- Powietrze przechodzące przez kanał powietrza wlotowego nie może być ogrzewane przez żadne źródła ciepła (ogrzewanie, bezpośrednie światło słoneczne, piece gazowe itp.).
- Przymocować lodówkę za pomocą odpowiednich śrub (rys. **6** 1 i 2, strona 6).

6.2 Podłączanie minibaru do zasilania elektrycznego

- Podłączyć kabel przyłączeniowy prądu przemiennego do gniazda prądu przemiennego w urządzeniu oraz do sieci prądu przemiennego.
- ✓ Zaświeci się dioda LED stanu.
- ✓ Minibar zacznie chłodzić komorę.

6.3 Montaż zapewnianego przez hotel własnego panelu dekoracyjnego drzwi (tylko DM20F)

Zapewniany przez hotel własny panel dekoracyjny drzwi musi spełniać następujące wymagania:

- Maksymalna masa: 2 kg
- Maksymalna grubość: 14 mm
- Przymocować panel dekoracyjny czterema śrubami.

6.4 Montaż zamka (tylko wersje z zamkiem)

- Wywiercić w panelu dekoracyjnym otwór o średnicy 35 mm.
- Zamontować zamek razem z panelem dekoracyjnym zamka.

6.5 Montaż zamka (tylko wersje bez zamka)

Demontaż szuflady (rys. **7**, strona 7)

- Całkowicie otworzyć szufladę.
- Przycisnąć blokadę szyny (**A 1**).
- Wyciągnąć szufladę z komory.
- Wyjąć uszczelkę (**B 1**).
- Wyjąć pokrywę zamka (**B 2**).
- Wyjąć zaślepki (**C 1**) śrub uchwytu drzwi (**C 3**).

- Wykręcić śruby (**C 2**) uchwyty drzwi (**C 3**).
- Zdjąć uchwyt drzwi (**C 3**).

Wiercenie otworów (rys. 3, strona 7)

- Wywiercić w panelu dekoracyjnym i w drzwiach otwór o średnicy 25 mm (**A 1**).
- Wykręcić śruby (**B 1**) ramy panelu dekoracyjnego (**B 2**).
- Zdjąć ramę panelu dekoracyjnego (**B 2**).

Montaż zamka (rys. 9, strona 8)

- Założyć nową pokrywę zamka (**A 1**).
- Umieścić panel dekoracyjny (**B 1**) w ramie panelu dekoracyjnego (**B 3**).
- Przykręcić ramę panelu dekoracyjnego (**B 3**) do drzwi (**B 2**).
- Zamontować zamek drzwi (**C 1**).
- Zamontować zaczep zamka w komorze (**D 1**).

Montaż szuflady (rys. 10, strona 8)

- Wcisnąć uszczelkę (**1**) w ramę panelu dekoracyjnego (**2**).
- Przykręcić uchwyt drzwi (**4**) do drzwi.
- Wcisnąć zaślepki (**3**) na śruby uchwyty drzwi (**4**).
- Wsunąć szufladę do komory.

7 Eksploatacja



UWAGA! Niebezpieczeństwo uszkodzenia

Aby uniknąć niebezpieczeństwa, wymianę lampki zlecać wyłącznie producentowi, przedstawicielowi serwisu lub odpowiednio wykwalifikowanej osobie.

7.1 Oszczędzanie energii

- Drzwi minibaru otwierać tylko tak często i na tak długo, jak jest to konieczne.
- Ciepłe potrawy należy ochłodzić przed włożeniem do urządzenia.
- Unikać zbyt niskiej temperatury wewnętrznej.

- W celu zapewnienia optymalnego zużycia energii półki i szuflady ustawiać w położeniach, w których zostały one dostarczone.
- Regularnie sprawdzać osadzenie uszczelnienia drzwi.
- Regularnie usuwać ze skraplacza kurz i inne zanieczyszczenia.

7.2 Korzystanie z minibaru

Minibar rozpoczyna chłodzenie po podłączeniu go do zasilania. Podczas normalnej pracy świeci się dioda LED stanu. W przypadku wystąpienia usterki miga dioda LED sygnalizacji usterek (patrz rozdz. „Usuwanie usterek” na stronie 190).

7.3 Ustawianie temperatury

Aby zapobiec psuciu się żywności:

- Zapewnić jak najbardziej stabilną temperaturę. Drzwi minibaru otwierać tylko tak często i na tak długo, jak jest to konieczne. Żywność przechowywać w sposób nieutrudniający obiegu powietrza.
- Minibar wyposażony jest w funkcję automatycznej regulacji temperatury. Wybierać środkowe spośród dostępnych ustawień temperatury.
- Dostosować temperaturę do ilości i typu żywności.

Minibar jest domyślnie ustawiony na temperaturę chłodzenia 7 °C przy temperaturze otoczenia 25 °C.

Za pomocą przycisku ustawiania (rys. **3** 4, strona 4) temperaturę chłodzenia można ustawić na jedną z trzech wartości: 5 °C, 12 °C i 7 °C.

Każdorazowe naciśnięcie powoduje zmianę temperatury na odpowiednią wartość w podanej kolejności: 5 °C ... 12 °C ... 7 °C ... 5 °C itd.

- ▶ Nacisnąć przycisk ustawiania (rys. **3** 4, strona 4) i przytrzymać go przez 5 s, aż kontrolka (rys. **3** 1, strona 4) zacznie migać.
- ▶ Natychmiast ponownie nacisnąć przycisk ustawiania (rys. **3** 4, strona 4).
- ✓ Kontrolka (rys. **3** 1, strona 4) wskazuje ustawioną temperaturę:
 - 5 °C: Kontrolka miga pięciokrotnie, trzy razy z rzędu
 - 12 °C: Kontrolka miga jednokrotnie, trzy razy z rzędu
 - 7 °C: kontrolka miga trzykrotnie, trzy razy z rzędu



WSKAZÓWKA

Po podłączeniu do zasilania minibar automatycznie ustawia temperaturę chłodzenia na 7 °C.

8 Usuwanie usterek

Usterka	Możliwa przyczyna	Proponowane rozwiązanie
Urządzenie nie działa, dioda LED stanu nie świeci się.	W gnieździe prądu przemiennego nie ma napięcia.	Spróbować podłączyć urządzenie do innego gniazda.
	Prostownik sieciowy jest uszkodzony.	Skontaktować się z serwisem.
Urządzenie nie chłodzi (wtyczka jest przyłączona, dioda LED stanu świeci się).	Element chłodzący jest uszkodzony.	Skontaktować się z serwisem.
Dioda LED sygnalizacji usterek miga raz na sekundę.	Czujnik temperatury jest uszkodzony.	Skontaktować się z serwisem.
Dioda LED sygnalizacji usterek miga dwa razy na sekundę.	Dmuchała jest uszkodzona.	Skontaktować się z serwisem.
Urządzenie nie chłodzi w wystarczającym stopniu, dioda LED stanu świeci się, a dioda LED sygnalizacji usterek nie świeci się.	Element chłodzący jest uszkodzony.	Skontaktować się z serwisem.
	Niewystarczająca wentylacja	Sprawdzić wentylację. Wyczyścić filtr pod urządzeniem.

9 Czyszczenie i konserwacja



UWAGA! Niebezpieczeństwo uszkodzenia!

- Przenośnej lodówki nie wolno nigdy czyścić pod bieżącą wodą ani zamaczać w wodzie.
- Do czyszczenia nie należy używać agresywnych środków czyszczących ani twardych przedmiotów, gdyż mogą uszkodzić lodówkę.

- Obudowę należy czyścić od czasu do czasu wilgotną ściereczką od wewnątrz i na zewnątrz.
- Należy upewnić się, że otwory wentylacyjne urządzenia nie są zabrudzone ani zakurzone, aby możliwe było odprowadzanie ciepła podczas pracy urządzenia, co pozwoli uniknąć uszkodzenia urządzenia.

- ▶ Od czasu do czasu czyścić filtr wlotowy.
- ▶ Jeśli w pojemniku na skropliny (rys. **2** 1, strona 3) znajduje się woda, należy sprawdzić, czy układ odprowadzania skroplin nie jest zablokowany.

**UWAGA! Niebezpieczeństwo uszkodzenia**

Aby uniknąć niebezpieczeństwa, wymianę lampki zlecać wyłącznie producentowi, przedstawicielowi serwisu lub odpowiednio wykwalifikowanej osobie.

10 Gwarancja

Obowiązuje ustawowy okres gwarancji. Jeśli produkt jest uszkodzony, należy zgłosić się do partnera serwisowego w danym kraju (patrz dometic.com/dealer).

W celu naprawy lub rozpatrzenia gwarancji konieczne jest przesłanie:

- kopii rachunku z datą zakupu,
- informacji o przyczynie reklamacji lub opisu wady.

11 Utylizacja

- ▶ Opakowanie należy wyrzucić do odpowiedniego pojemnika na śmieci do recyklingu.



Jeżeli produkt nie będzie dłużej eksploatowany, koniecznie dowiedz się w najbliższym zakładzie recyklingu lub w specjalistycznym sklepie, jakie są aktualnie obowiązujące przepisy dotyczące utylizacji.

12 Dane techniczne


Deklarację zgodności urządzenia można znaleźć na stronie produktu pod adresem: dometic.com lub skontaktować się bezpośrednio z producentem (patrz dometic.com/dealer).

Dalsze informacje na temat produktu można uzyskać za pośrednictwem umieszczonego na etykiecie energetycznej kodu QR (patrz rysunek) lub na stronie eprel.ec.europa.eu.

Obieg chłodzenia zawiera R134a.

Zawiera fluorowane gazy cieplarniane

Hermetycznie zamknięte urządzenie

	DM20D	DM20F
Napięcie:	220 – 240 V~, 50/60 Hz	
Zakres temperatur chłodzenia:	maks. 20 °C poniżej temperatury otoczenia (trzystopniowa regulacja: +5 °C, +7 °C, +12 °C)	
Kategoria:	piwniczka	
Pojemność całkowita:	20 l	
Klasa efektywności energetycznej:	G	
Pobór mocy (przy temperaturze otoczenia +25 °C, +12 °C w lodówce):	0,368 kWh/24 h	
Klasa klimatyczna:	N	
Temperatura otoczenia podczas eksploatacji:	+16 °C do +32 °C	
Emisja hałasu:	15 dB(A)	
Ilość czynnika chłodniczego:	48 g	
Ekwiwalent CO ₂ :	0,069 t	
Potencjał tworzenia efektu cieplarnianego (GWP):	1430	
Wymiary głównej szuflady szer. x gł. x wys.:	285 x 228,5 x 112 mm	
Wymiary (wys. x szer. x gł.) (patrz również rys. 11, strona 9):	365 x 384 x 428 mm	365 x 384 x 398 mm
Masa:	12,3 kg	
Kontrola/certyfikat:		

Dôkladne si prečítajte tento návod a dodržiavajte všetky pokyny, usmernenia a varovania uvedené v tomto návode k výrobku, aby bolo zaručené, že výrobok bude vždy správne nainštalovaný, používaný a udržiavaný. Tento návod MUSÍ zostať priložený k výrobku.

Používaním tohto výrobku týmto potvrdzujete, že ste si dôkladne prečítali všetky pokyny, usmernenia a varovania a že rozumiete a súhlasíte s dodržiavaním všetkých uvedených podmienok. Súhlasíte, že tento výrobok budete používať iba v súlade s určeným použitím a v súlade s pokynmi, usmerneniami a varovaniami uvedenými v tomto návode k výrobku, ako aj v súlade so všetkými platnými zákonmi a nariadeniami. V prípade, že si neprečítate a nebudete sa riadiť pokynmi a varovaniami uvedenými v tomto návode, môže mať za následok vaše poranenie alebo poranenie iných osôb, poškodenie vášho výrobku alebo poškodenie majetku v jeho blízkosti. Tento návod na obsluhu výrobku vrátane pokynov, usmernení a varovaní, a súvisiaca dokumentácia môže podliehať zmenám a aktualizáciám. Najaktuálnejšie informácie o výrobku nájdete na adrese www.dometic.com.

Obsah

1	Vysvetlenie symbolov	193
2	Bezpečnostné pokyny	194
3	Rozsah dodávky	197
4	Používanie v súlade s určením	197
5	Technický opis	199
6	Montáž	200
7	Prevádzka	202
8	Odstraňovanie porúch	204
9	Čistenie a údržba	204
10	Záruka	205
11	Likvidácia	205
12	Technické údaje	205

1 Vysvetlenie symbolov



NEBZPEČENSTVO!

Bezpečnostné upozornenie na nebezpečnú situáciu, ktorá vedie k usmrteniu alebo ťažkému poraneniu, ak sa jej nezabráni.



VÝSTRAHA!

Bezpečnostné upozornenie na nebezpečnú situáciu, ktorá môže viesť k usmrteniu alebo ťažkému poraneniu, ak sa jej nezabráni.

**UPOZORNENIE!**

Bezpečnostné upozornenie na nebezpečnú situáciu, ktorá môže viesť k ľahkému alebo stredne ťažkému usmrteniu alebo ťažkému poraneniu, ak sa jej nezabráni.

**POZOR!**

Upozornenie na situáciu, ktorá môže viesť k materiálnym škodám, ak sa jej nezabráni.

**POZNÁMKA**

Doplňujúce informácie týkajúce sa obsluhy produktu.

2 Bezpečnostné pokyny

2.1 Základy bezpečnosti



VÝSTRAHA! Nedodržanie týchto varovaní môže mať za následok smrť alebo vážne poranenie.

Nebezpečenstvo úrazu elektrickým prúdom

- Postarajte sa, aby minibar nainštaloval kvalifikovaný technik podľa návodu na montáž firmy Dometic.
- Keď minibar vykazuje viditeľné poškodenia, nesmiete ho uviesť do prevádzky.
- Keď je pripájací kábel minibaru poškodený, musí jeho výmenu vykonať výrobca, servisný technik alebo podobne spôsobilá osoba, aby sa predišlo bezpečnostným rizikám.
- Opravy tohto minibaru smie vykonávať len kvalifikovaný personál. Neodborné opravy predstavujú riziko vážnych nebezpečenstiev.

Nebezpečenstvo požiaru

- Chladiaci prostriedok v chladiacom okruhu je vysoko horľavý. V prípade poškodenia chladiaceho okruhu:
 - Vypnite minibar.
 - Nepoužívajte otvorený oheň a zabráňte vzniku iskier.
 - Dobře vyvetrajte priestor.

Nebezpečenstvo výbuchu

- Neskladujte v minibare látky, u ktorých hrozí nebezpečenstvo výbuchu napr. sprejové nádoby s hnacím plynom.

Nebezpečenstvo ohrozenia zdravia

- Tento minibar smú používať deti od 8 rokov a osoby so zníženými psychickými, zmyslovými alebo mentálnymi schopnosťami a vedomosťami, keď sú pod dozorom alebo keď boli poučené o bezpečnom používaní minibaru a chápu, aké riziká z toho vyplývajú.
- Deti sa nesmú hrať s minibarom.
- Čistenie a bežnú údržbu nesmú vykonávať deti bez dozoru.
- Deti vo veku od 3 do 8 rokov smú nakladať a vykladať minibar.

**UPOZORNENIE! Nedodržanie týchto upozornení môže mať za následok drobné alebo stredne ťažké poranenie.****Nebezpečenstvo pomliaždenia**

- Nesiahajte do závesu.

Nebezpečenstvo ohrozenia zdravia

- Potraviny sa smú uskladňovať len v originálnom obale alebo vhodných nádobách.

**POZOR! Nebezpečenstvo poškodenia**

- Porovnajete údaje o napätí na typovom štítku s existujúcim zdrojom napätia.
- Minibar nie je vhodný na skladovanie žieravých látok alebo látok s obsahom rozpúšťadiel.
- Izolácia chladiaceho zariadenia obsahuje horľavý cyklopentán a vyžaduje si špeciálne postupy pri likvidácii. Po uplynutí jeho životnosti odovzdanie chladiace zariadenie na vhodnú recykláciu.
- Odtokový otvor vždy udržiavajte čistý.
- Chladiaci okruh v žiadnom prípade neotvárajte.
- Minibar prenášajte iba vo zvislej polohe.

2.2 Bezpečnosť pri prevádzke zariadenia**NEBEZPEČENSTVO! Nedodržanie týchto varovaní bude mať za následok smrť alebo vážne poranenie.****Nebezpečenstvo úrazu elektrickým prúdom**

- Nikdy sa nedotýkajte holými rukami obnažených vodičov.

**UPOZORNENIE! Nedodržanie týchto upozornení môže mať za následok drobné alebo stredne ťažké poranenie.****Nebezpečenstvo úrazu elektrickým prúdom**

- Pred uvedením minibaru do prevádzky dbajte na to, aby prívodné vedenie a zástrčka boli suché.

Nebezpečenstvo ohrozenia zdravia

- Dbajte na to, aby sa v minibare nachádzal len tovar, ktorý sa môže chladiť na zvolenú teplotu.
- Potraviny sa smú skladovať len v originálnych baleniach alebo vhodných nádobách.
- Otvorenie dverí na dlhšiu dobu môže spôsobiť výrazné zvýšenie teploty v priehradkách minibaru.
- Pravidelne čistíte povrchy, ktoré môžu prísť do kontaktu s potravinami a prístupnými systémami na odvádzanie kondenzátu.
- Ak minibar ponecháte prázdny na dlhú dobu:
 - Vypnite minibar.
 - Odmrazte minibar.
 - Minibar vyčistíte a usušte.
 - Nechajte dvierka otvorené, aby ste zabránili tvorbe plesní vnútri minibaru.

**POZOR! Nebezpečenstvo poškodenia**

- Ťažké predmety, ako napr. fľaše alebo plechovky, ukladajte výlučne do dverí minibaru alebo na spodný nosný rošt.
- Nepoužívajte v minibare žiadne elektrické zariadenia, okrem prípadu, keď výrobca odporúča používanie týchto zariadení takýmto spôsobom.
- Zariadenie neumiestňujte v blízkosti otvoreného ohňa alebo iných zdrojov tepla (kúrenie, silné slnečné žiarenie, plynové pece atď.).
- Uistite sa, že vetracie otvory nie sú prekryté.
- Minibar nikdy neponárajte do vody.
- Chráňte minibar a káble pred vysokými teplotami a mokrom.
- Dbajte na to, aby sa potraviny nedotýkali stien chladiaceho priestoru.

**POZNÁMKA**

- Pri teplotách okolia v rozmedzí +15 °C až +25 °C zvolte priemerný chladiaci výkon.

3 Rozsah dodávky

Dostupné sú nasledujúce hlavné varianty:

- Minibar DM20D s dekorom dverí, bez zámku
- Minibar DM20D s dekorom dverí, so zámkom
- Minibar DM20F bez dekoru dverí, bez zámku
- Minibar DM20F bez dekoru dverí, so zámkom

Počet	Opis	
1	Minibar	
1	Pripájací kábel na striedavý prúd	
2	Skrutka Ø 4 × 45 mm (montáž)	
2	Skrutka Ø 4 × 25 mm (montáž predných nožičiek)	
2	Skrutka M4 × 45 mm (montáž rukoväti)	
2	Záslepka (montáž)	
1	Rukoväť	Iba model DM20D
2	Záslepka (montáž rukoväti)	Iba model DM20D
2	Záslepka (drevený dekor)	Iba verzia DM20F s dreveným dekorom
1	Dekor so zámkom (drevený dekor)	Iba verzia DM20F s dreveným dekorom so zámkom
2	Legenda	Iba verzia so zámkom
1	Návod na montáž a obsluhu	

4 Používanie v súlade s určením

Chladiaci spotrebič (označuje sa ako minibar) je určený na prevádzku v uzavretých budovách, ako napríklad:

- kuchynky pre personál v obchodoch, kanceláriách a iných pracovných priestoroch
- v poľnohospodárstve
- v hoteloch, motelloch a iných ubytovacích zariadeniach
- v zariadeniach typu Bed and Breakfast

- v kateringových firmách alebo podobných veľkoobchodných prevádzkach

Minibar nie je vhodný na zabudovanie do obytných vozidiel alebo karavanov.

Minibar je určený na zabudovanie do skrinky alebo do montážneho výklenku.

Minibar je navrhnutý výlučne na chladenie a skladovanie nápojov a potravín v uzavretých nádobách.

Minibar nie je vhodný na skladovanie čerstvých potravín a liekov alebo na mrazenie potravín.

Tento minibar je vhodný iba na použitie na určený účel a použitie v súlade s týmto návodom.

Tento návod obsahuje informácie, ktoré sú nevyhnutné pre správnu inštaláciu a/alebo obsluhu minibaru. Chybná inštalácia a/alebo nesprávna obsluha či údržba bude mať za následok neuspokojivý výkon a možnú poruchu.

Výrobca nenesie žiadnu zodpovednosť za akékoľvek poranenia či škody na výrobku spôsobené:

- nesprávnou montážou alebo pripojením vrátane nadmerného napätia
- nesprávnou údržbou alebo použitím iných ako originálnych náhradných dielov poskytnutých výrobcom
- Zmeny produktu bez výslovného povolenia výrobcu
- Použitie na iné účely než na účely opísané v návode

Firma Dometic si vyhradzuje právo na zmenu vzhľadu a technických parametrov výrobku.

5 Technický opis

Minibar disponuje zásuvkou s miestom na 12 plechoviek (a k tomu tyčinky).

Pri dodaní sú police a priehradky umiestnené tak, že zariadenie je možné energeticky účinne prevádzkovať.

Minibar DM20D sa dodáva s antracitovým dekorom a rukoväťou na otváranie.

Minibar DM20F sa dodáva bez dekoru a je pripravený na osadenie vlastného dekoru hotela.

Chladiaci systém je neopotrebovatelné termoelektrické chladenie s Peltierovým článkom.

Zámok je dostupný voliteľne.

5.1 Opis zariadenia

Predná strana

Č. na obr. 1 , strane 3	Opis
1	Zámok (voliteľný)
2	Rukoväť (iba model DM20D)
3	Dekor dverí (iba model DM20D)

Zadná strana

Č. na obr. 2 , strane 3	Opis
1	Odkvapkovácia miska
2	Sieťový adaptér

Ovládací panel (vnútri zariadenia)

Č. na obr. 3 , strane 4	Opis
1	Lampa
2	Chybová LED dióda
3	Stavová LED dióda
4	Tlačidlo nastavenia

Hlavná zásuvka

Č. na obr. 4 , strane 4	Opis
1	Predel
2	Držiak na fľašu

6 Montáž



UPOZORNENIE! Ohrozenie zdravia

Zariadenie musí byť upevnené podľa opisu v návode, aby sa zabránilo ohrozeniu následkom jeho nestability/uvoľnenia.

6.1 Poznámky k montáži do nábytku

Minibar môžete namontovať do nábytku štyrmi spôsobmi. Zvoľte si želanú alternatívu (obr. **5**, strane 5).

Dodržte nasledujúce:

- Rozmery výrezu sú $V \times Š \times H$ sú:
 - **DM20D**: $385 \times 404 \times 428$ mm
 - **DM20F**: $385 \times 404 \times 426 + d$ mm
d je hrúbka vlastného dekoru hotela
- Vzdialenosť medzi zadnou stranou minibaru a stenou má byť 10 mm alebo väčšia.
- Pre vybranú alternatívu je potrebné vytvoriť vetracie otvory (obr. **5**, strane 5).
- Vzduch prúdiaci cez vstupné potrubie vzduchu nesmie byť zohrievaný žiadnym zdrojom tepla (ohrievače, priame slnečné žiarenie, plynové pece atď.).

- Chladničku upevnite vhodnými skrutkami (obr. **6** 1 a 2, strane 6).

6.2 Elektrické zapojenie minibaru

- Zapojte pripájací kábel na striedavý prúd do zásuvky na striedavý prúd a pripojte ho k sieti striedavého prúdu.
- ✓ Stavová LED sa rozsvieti.
- ✓ Minibar sa spustí s chladením vnútorného priestoru.

6.3 Montáž vlastného dekoru dverí hotela (iba model DM20F)

Vlastný dekor dverí hotela musí spĺňať nasledujúce požiadavky:

- Maximálna hmotnosť: 2 kg
- Maximálna hrúbka: 14 mm
- Upevnite dekor so štyrmi skrutkami.

6.4 Montáž zámku (iba verzia so zámkom)

- Do dekoru vyvrtajte otvor s priemerom 35 mm.
- Namontujte zámok spolu s dekorom so zámkom.

6.5 Montáž zámku (iba verzia bez zámku)

Demontáž zásuvky (obr. **7**, strane 7)

- Zásuvku úplne otvorte.
- Stlačte zaistenie koľajnice (**A 1**).
- Vytiahnite zásuvku zo skrinky.
- Odstráňte tesnenie (**B 1**).
- Odstráňte kryt zámku (**B 2**).
- Odstráňte záslepky (**C 1**) zo skrutiek rukoväti dverí (**C 3**).
- Odskrutkujte skrutky (**C 2**) rukoväti dverí (**C 3**).
- Odoberte rukoväť dverí (**C 3**).

Vyvrtanie otvorov (obr. 8, strane 7)

- Vyvrtajte otvor s priemerom of 25 mm cez dekor a dvere (A 1).
- Odskrutkujte skrutky (B 1) rámu dekoru (B 2).
- Odoberte rám dekoru (B 2).

Montáž zámku (obr. 9, strane 8)

- Umiestnite nový kryt zámku (A 1) na miesto.
- Umiestnite dekor (B 1) do rámu dekoru (B 3).
- Naskrutkujte rám dekoru (B 3) na dvere (B 2).
- Namontujte zámok dverí (C 1).
- Namontujte západku zámku do skrinky (D 1).

Montáž zásuvky (obr. 10, strane 8)

- Natlačte tesnenie (1) na rám dekoru (2).
- Naskrutkujte rukoväť dverí (4) na dvere.
- Natlačte záslepky (3) na skrutky rukoväti dverí (4).
- Zasuňte zásuvku do skrinky.

7 Prevádzka



POZOR! Nebezpečenstvo poškodenia

Kontrolku smie vymeniť len výrobca, servisný technik alebo osoba s podobnou kvalifikáciou, aby sa zabránilo nebezpečenstvu.

7.1 Úspora energie

- Minibar otvárajte iba tak často a na takú dobu, ako je nevyhnutné.
- Teplé jedlá nechajte pred vložením do spotrebiča najprv vychladnúť.
- Nenastavujte zbytočne nízku teplotu.
- Pre optimálnu spotrebu energie umiestnite police a zásuvky podľa ich umiestnenia pri dodaní.
- Pravidelne kontrolujte, či tesnenie dverí stále pevne drží.
- Kondenzátor v pravidelných intervaloch očistíte od prachu a nečistôt.

7.2 Používanie minibaru

Po pripojení k zdroju napájania začne minibar chladiť. Počas normálne prevádzky svieti stavová LED. Ak sa vyskytne chyba, bliká chybová LED dióda (pozri kap. „Odstraňovanie porúch“ na strane 204).

7.3 Nastavenie teploty

Dodržte nasledujúce body, aby ste predišli plytvaniu potravinami:

- Zabráňte kolísaniu teploty v čo najväčšej možnej miere. Minibar otvárajte iba tak často a na takú dobu, ako je nevyhnutné. Skladujte potraviny tak, aby vzduch stále mohol dobre cirkulovať.
- Minibar je vybavený s funkciou automatickej regulácie teploty. Zvoľte priemer z dostupných hodnôt teploty.
- Prispôsobte teplotu množstvu a druhu potravín.

Minibar je štandardne nastavený na teplotu chladenia 7 °C pri teplote okolia 25 °C.

Môžete použiť nastavovacie tlačidlo (obr. **3** 4, strane 4) pre nastavenie teploty chladenia na jednu z troch hodnôt: 5 °C, 12 °C a 7 °C.

Týmto sa teplota zmení v poradí 5 °C ... 12 °C ... 7 °C ... 5 °C atď.

- Stlačte nastavovacie tlačidlo (obr. **3** 4, strane 4) a držte ho stlačené 5 s, kým kontrolka (obr. **3** 1, strane 4) nezačne blikáť.
- Okamžite znovu stlačte tlačidlo (obr. **3** 4, strane 4).
- ✓ Kontrolka (obr. **3** 1, strane 4) indikuje nastavenú teplotu:
 - 5 °C: Kontrolka zabliká päťkrát v troch intervaloch
 - 12 °C: Kontrolka zabliká raz v troch intervaloch
 - 7 °C: Kontrolka zabliká trikrát v troch intervaloch



POZNÁMKA

Minibar automaticky nastaví teplotu chladenia na 7 °C, keď je pripojený k zdroju napájania.

8 Odstraňovanie porúch

Porucha	Možná príčina	Návrh riešenia
Zariadenie nefunguje, stavová LED nesvieti.	Zásuvka striedavého napätia nevedie napätie.	Vyskúšajte inú zásuvku.
	Sieťový adaptér je chybný.	Kontaktujte servisného technika.
Zariadenie nechladí (zástrčka nie je pripojená, stavová LED svieti).	Chladiaci prvok je chybný.	Kontaktujte servisného technika.
Chybová LED dióda blikne raz za sekundu.	Tepelný snímač je nefunkčný.	Kontaktujte servisného technika.
Chybová LED dióda blikne dvakrát za sekundu.	Ventilátor je chybný.	Kontaktujte servisného technika.
Zariadenie dostatočne nechladí, stavová LED dióda svieti, chybová LED dióda nesvieti.	Chladiaci prvok je chybný.	Kontaktujte servisného technika.
	Nedostatočné vetranie	Skontrolujte vetranie. Vyčistíte filter pod zariadením.

9 Čistenie a údržba



POZOR! Nebezpečenstvo poškodenia!

- Nikdy nečistite chladiace zariadenie pod tečúcou vodou alebo dokonca v preplachovacej vode.
- Nepoužívajte na čistenie žiadne ostré alebo tvrdé predmety, lebo tieto by mohli chladiace zariadenie poškodiť.

- Príležitostne vyčistite zariadenie zvnútra aj zvonku s vlhkou utierkou.
- Zabezpečte, aby vetracie a odvetšňovacie otvory prístroja boli bez prachu a nečistôt, aby sa teplo vznikajúce pri prevádzke mohlo odvádzať a aby sa prístroj nepoškodil.

- ▶ Príležitostne vyčistite filter prívodu.
- ▶ Ak nájdete vodu v odkvapkávacej miske, (obr. 2 1, strane 3) skontrolujte, či nie je zablokovaný odtokový systém.

**POZOR! Nebezpečenstvo poškodenia**

Kontrolku smie vymeniť len výrobca, servisný technik alebo osoba s podobnou kvalifikáciou, aby sa zabránilo nebezpečenstvu.

10 Záruka

Platí zákonom stanovená záručná lehota. Ak by bol výrobok chybný, obráťte sa na vášho špecializovaného predajcu alebo na pobočku výrobcu vo vašej krajine (pozri dometic.com/dealer).

Ak žiadate o vybavenie opravy alebo nárokov vyplývajúcich zo záruky, musíte priložiť nasledovné podklady:

- kópiu faktúry s dátumom kúpy,
- dôvod reklamácie alebo opis chyby.

11 Likvidácia

- ▶ Obalový materiál podľa možnosti odovzdajte do príslušného odpadu na recykláciu.



Keď výrobok definitívne vyradíte z prevádzky, informujte sa v najbližšom recyklačnom stredisku alebo u vášho špecializovaného predajcu o príslušných predpisoch týkajúcich sa likvidácie.

12 Technické údaje



Aktuálne vyhlásenie ES o zhode pre Vaše zariadenie nájdete na stránke príslušného výrobcu na internetovej stránke dometic.com alebo sa obráťte priamo na výrobcu (pozri dometic.com/dealer).

Ďalšie informácie o výrobku získate prostredníctvom QR kódu na energetickom štítku (pozri obrázky) alebo na stránke eprel.ec.europa.eu.

Chladiaci okruh obsahuje R134a.

Obsahuje fluórované skleníkové plyny

Hermeticky uzavreté zariadenie

	DM20D	DM20F
Napätie:	220 – 240 V~, 50/60 Hz	
Chladiaci výkon:	max. 20 °C pod teplotu okolia (nastaviteľný v troch krokoch: +5 °C, +7 °C, +12 °C)	
Kategória:	chladiaci spotrebič s vyššou teplotou	
Celkový objem:	20 l	
Trieda energetickej účinnosti:	G	
Príkon (pri teplote okolia +25 °C, chladnička +12 °C):	0,368 kWh/24 h	
Klimatická trieda:	N	
Použitie pri určenej teplote okolia:	+16 °C až +32 °C	
Emisie hluku:	15 dB(A)	
Množstvo chladiaceho prostriedku:	48 g	
Ekvivalent CO ₂ :	0,069 t	
Potenciál globálneho otepľovania (GWP):	1430	
Rozmery hlavnej zásuvky Š × H × V:	285 × 228,5 × 112 mm	
Rozmery V × Š × H: (pozri tiež obr. 11, strane 9):	365 × 384 × 428 mm	365 × 384 × 398 mm
Hmotnosť:	12,3 kg	
Skúška/certifikát:	 	

Pečlivě si prosím přečtěte a dodržujte všechny pokyny, směrnice a varování obsažené v tomto návodu k výrobku, abyste měli jistotu, že výrobek budete vždy správně instalovat, používat a udržovat. Tyto pokyny MUSÍ být uchovávány v blízkosti výrobku.

Používáním výrobku tímto potvrzujete, že jste si pečlivě přečetli všechny pokyny, směrnice a varování a že rozumíte podmínkám uvedeným v tomto dokumentu a souhlasíte s nimi. Souhlasíte s používáním tohoto výrobku pouze k určenému účelu a použití a v souladu s pokyny, směrnicemi a varováními uvedenými v tomto návodu k výrobku a v souladu se všemi příslušnými zákony a předpisy. Pokud si nepřečtete a nebudete dodržovat zde uvedené pokyny a varování, může to vést ke zranění vás i ostatních, poškození vašeho výrobku nebo poškození jiného majetku v okolí. Tento návod k výrobku, včetně pokynů, směrnic a varování a související dokumentace může být předmětem změn a aktualizací. Aktuální informace o výrobku naleznete na stránkách www.domestic.com.

Obsah

1	Vysvětlení symbolů	207
2	Bezpečnostní pokyny	208
3	Obsah dodávky	211
4	Použití v souladu s účelem	211
5	Technický popis	213
6	Montáž.	214
7	Obsluha	216
8	Odstraňování poruch a závad	218
9	Čištění a péče	218
10	Odpovědnost za vady	219
11	Likvidace	219
12	Technické údaje	219

1 Vysvětlení symbolů



NEBEZPEČÍ!

Bezpečnostní upozornění na nebezpečnou situaci, která vede k úmrtí nebo těžkému poranění osob, pokud se jí nevyhnete.



VÝSTRAHA!

Bezpečnostní upozornění na nebezpečnou situaci, která může vést k úmrtí nebo těžkému poranění osob, pokud se jí nevyhnete.

**UPOZORNĚNÍ!**

Bezpečnostní upozornění na nebezpečnou situaci, která může vést k lehkému nebo středně těžkému poranění osob, pokud se jí nevyhnete.

**POZOR!**

Upozornění na situaci, která může vést k poškození majetku, pokud se jí nevyhnete.

**POZNÁMKA**

Doplňující informace týkající se obsluhy výrobku.

2 Bezpečnostní pokyny

2.1 Základní bezpečnost



VÝSTRAHA! Nedodržení těchto varování by mohlo mít za následek smrt nebo vážné zranění.

Nebezpečí usmrcení elektrickým proudem

- Ujistěte se, že minibar byl instalován kvalifikovaným technikem v souladu s návodem k montáži Dometic.
- V případě, že je minibar viditelně poškozen, nesmíte ho používat.
- Pokud je přívodní kabel tohoto minibaru poškozen, musí být vyměněn výrobcem, zástupcem servisu nebo odborníkem s podobnou kvalifikací tak, aby nevzniklo nebezpečí.
- Opravy tohoto minibaru smějí provádět pouze kvalifikovaní pracovníci. Nesprávně provedené opravy mohou být zdrojem značných rizik.

Nebezpečí požáru

- Chladivo v chladicím okruhu je vysoce hořlavé.
Při poškození chladicího okruhu:
 - Vypněte minibar.
 - Pozor na otevřený plamen a jiskření.
 - Dobře větrejte místnost.

Nebezpečí výbuchu

- Neskladujte v minibaru výbušné látky, jako např. spreje s hnacím plynem.

Nebezpečí ohrožení zdraví

- Tento minibar mohou používat děti od 8 let a osoby se sníženými fyzickými, smyslovými nebo duševními schopnostmi nebo s nedostatečnými zkušenostmi a znalostmi, pokud jsou pod dohledem nebo obdržely pokyny týkající se používání minibaru bezpečným způsobem a porozuměly souvisejícím nebezpečím.
- Děti si s minibarem nesmí hrát.
- Čištění a běžnou údržbu nesmějí provádět děti bez dozoru.
- Děti ve věku od 3 do 8 let mohou minibar plnit a vyprazdňovat.

**UPOZORNĚNÍ! Nedodržení těchto upozornění by mohlo mít za následek lehké nebo střední zranění.****Riziko stlačení**

- Nesahejte do závěsu.

Nebezpečí ohrožení zdraví

- Skladujte potraviny pouze v originálním balení nebo ve vhodných nádobách.

**POZOR! Nebezpečí poškození**

- Porovnejte údaj o napětí na typovém štítku se stávajícím zdrojem napájení.
- Minibar není vhodný ke skladování leptavých látek nebo látek obsahujících rozpouštědla.
- Izolace chladicího přístroje obsahuje hořlavý cyklopentan a vyžaduje speciální postupy likvidace. Chladicí přístroj odevzdejte na konci jeho životního cyklu do vhodného střediska pro recyklaci.
- Udržujte odtokový otvor vždy čistý.
- Nikdy neotevírejte chladicí okruh.
- Minibar přenášejte pouze ve vzpřímené poloze.

2.2 Bezpečný provoz minibaru**NEBEZPEČÍ! Nedodržení těchto varování bude mít za následek smrt nebo vážné zranění.****Nebezpečí usmrcení elektrickým proudem**

- Nikdy se nedotýkejte odizolovaných vodičů.

**UPOZORNĚNÍ! Nedodržení těchto upozornění by mohlo mít za následek lehké nebo střední zranění.****Nebezpečí usmrcení elektrickým proudem**

- Před uvedením minibaru do provozu zkontrolujte, zda jsou přívodní kabel a zástrčka suché.

Nebezpečí ohrožení zdraví

- Dbejte, aby do minibaru byly vloženy pouze předměty nebo potraviny, které je dovoleno chladit na nastavenou teplotu.
- Skladujte potraviny pouze v originálním balení nebo ve vhodných nádobách.
- Otevření dvířek na delší dobu může způsobit značné zvýšení teploty v přihrádkách minibaru.
- Pravidelně čistěte povrchy, které se mohou dostat do kontaktu s potravinami a přístupnými odtokovými systémy.
- Je-li minibar ponechán prázdný po dlouhou dobu:
 - Vypněte minibar.
 - Odmrazte minibar.
 - Vyčistěte a vysušte minibar.
 - Nechejte dvířka otevřená, aby se zabránilo tvorbě plísně uvnitř minibaru.

**POZOR! Nebezpečí poškození**

- Těžké předměty, např. láhve nebo plechovky, uchovávejte výhradně ve dvířkách minibaru nebo na spodním nosném roštu.
- Uvnitř minibaru nepoužívejte žádné elektrické přístroje, pouze pokud jsou k tomu takové přístroje doporučeny výrobcem.
- Neinstalujte přístroj v blízkosti otevřeného ohně nebo jiných tepelných zdrojů (topení, přímé sluneční záření, plynová kamna apod.).
- Zkontrolujte, zda nejsou zakryty ventilační otvory.
- Minibar nikdy neponořujte do vody.
- Minibar a kabely chraňte před horkem a vlhkem.
- Pozor, aby se potraviny nedotýkaly stěn chladicího prostoru.

**POZNÁMKA**

- Při okolní teplotě +15 °C až +25 °C zvolte průměrné nastavení teploty.

3 Obsah dodávky

K dostání jsou následující hlavní alternativy:

- Minibar DM20D s dekorem dvířek, bez zámku
- Minibar DM20D s dekorem dvířek, se zámkem
- Minibar DM20F bez dekoru dvířek, bez zámku
- Minibar DM20F bez dekoru dvířek, se zámkem

Počet	Popis	
1	Minibar	
1	Přívodní kabel pro střídavý proud	
2	Šroub Ø 4 x 45 mm (montáž)	
2	Šroub Ø 4 x 25 mm (montáž předních nožek)	
2	Šroub M4 x 45 mm (montáž rukojeti)	
2	Záslepka (montáž)	
1	Rukojeť	Pouze DM20D
2	Záslepka (montáž rukojeti)	Pouze DM20D
2	Záslepka (dřevěný dekor)	Pouze dřevěné provedení DM20F
1	Dekor zámku (dřevěný dekor)	Pouze dřevěné provedení se zám- kem DM20F
2	Legenda	Pouze provedení se zámkem
1	Návod k montáži a obsluze	

4 Použití v souladu s účelem

Chladicí přístroj (dále také minibar) je určen k provozu v uzavřených budovách, např.:

- V kuchyních pro zaměstnance v obchodech, kancelářích a jiných pracovištích
- V zemědělském odvětví
- V hotelech, motelech a jiných ubytovacích zařízeních
- V zařízeních nabízejících nocleh se snídaní
- Ve stravovacích a podobných nemaloobchodních zařízeních

Minibar není vhodný k instalaci v karavanech nebo obytných vozidlech.

Minibar je určen k instalaci do skříňky nebo instalačního výklenku.

Minibar je určen výhradně k chlazení a skladování nápojů a potravin v uzavřených nádobách.

Minibar není vhodný k uchovávání čerstvých potravin a léků nebo mražených potravin.

Tento minibar je vhodný pouze k určenému účelu a použití v souladu s tímto návodem.

Tento návod poskytuje informace, které jsou nezbytné pro řádnou instalaci a/nebo provoz minibaru. Nedostatečná instalace a/nebo nesprávný provoz či údržba povedou k neuspokojivému výkonu a možné závadě.

Výrobce nepřijímá žádnou odpovědnost za jakékoli zranění nebo poškození výrobku vyplývající z následujícího:

- Nesprávné sestavení nebo připojení včetně nadměrného napětí
- Nesprávná údržba nebo použití jiných náhradních dílů než původních dílů dodaných výrobcem
- Změna výrobku bez výslovného souhlasu výrobce
- Použití k jiným účelům, než jsou popsány v tomto návodu

Společnost Dometic si vyhrazuje právo změnit vzhled a specifikace výrobku.

5 Technický popis

Minibar má zásuvku s prostorem pro 12 plechovek (plus drobné občerstvení).

Při dodání jsou poskytnuté police a oddíly umístěny tak, aby bylo možné spotřebič provozovat energeticky účinným způsobem.

Minibar DM20D se dodává s antracitovým dekorem a tažnou rukojetí.

Minibar DM20F se dodává bez dekoru a je připraven k osazení vlastním dekorem dvířek daného hotelu.

Jeho chladicí systém je neopotřebitelný chladicí systém Peltier.

Zámek je k dostání volitelně.

5.1 Popis přístroje

Přední strana

Č. na obr. 1 , strana 3	Popis
1	Zámek (volitelně)
2	Rukojeť (pouze DM20D)
3	Dekor dvířek (pouze DM20D)

Zadní strana

Č. na obr. 2 , strana 3	Popis
1	Odkapávací miska
2	Síťový adaptér

Ovládací panel (uvnitř spotřebiče)

Č. na obr. 3 , strana 4	Popis
1	Žárovka
2	Chybová LED
3	Stavová LED
4	Tlačítko nastavení

Hlavní zásuvka

Č. na obr. 4 , strana 4	Popis
1	Oddělovač
2	Stojan na láhev

6 Montáž



UPOZORNĚNÍ! Nebezpečí ohrožení zdraví

Aby se zabránilo nebezpečí v důsledku nestability přístroje, je nutné jej upevnit v souladu s pokyny.

6.1 Poznámky k montáži do nábytku

Minibar lze do nábytku namontovat čtyřmi způsoby. Vyberte si oblíbenou alternativu (obr. **5**, strana 5).

Dodržujte následující:

- Rozměry výřezu V x Š x H jsou:
 - **DM20D**: 385x404x428 mm
 - **DM20F**: 385x404x426 + d mm
 d je tloušťka vlastního dekoru daného hotelu
- Vzdálenost mezi zadní částí a stěnou nábytku by měla být cca 10 mm.
- Je třeba zhotovit větrací otvory pro zvolenou alternativu (obr. **5**, strana 5).
- Vzduch procházející kanálem přívodního vzduchu nesmí být přehříván žádným zdrojem tepla (topení, přímé sluneční světlo, plynové trouby atd.).

- Chladničku upevněte na místě vhodnými šrouby (obr. **6** 1 a 2, strana 6).

6.2 Elektrické připojení minibaru

- Zapojte přívodní kabel pro střídavý proud do napájecí zásuvky střídavého proudu a připojte ji k síťovému napájení střídavého proudu.
- ✓ Stavová LED se rozsvítí.
- ✓ Minibar zahájí chlazení vnitřního prostoru.

6.3 Montáž vlastního dekoru dvířek daného hotelu (pouze DM 20F)

Vlastní dekor dvířek daného hotelu musí splňovat následující požadavky:

- Maximální hmotnost: 2 kg
- Maximální tloušťka: 14 mm
- Upevněte dekor čtyřmi šrouby.

6.4 Montáž zámku (pouze verze se zámkem)

- V dekoru zhotovte kruhový výřez o průměru 35 mm.
- Zámek namontujte společně s dekorem zámku.

6.5 Montáž zámku (pouze verze bez zámku)

Demontáž zásuvky (obr. **7**, strana 7)

- Zásuvku zcela otevřete.
- Stlačte zámek kolejnice (**A 1**).
- Vytáhněte zásuvku ze skříňky.
- Odstraňte těsnění (**B 1**).
- Sejměte kryt zámku (**B 2**).
- Odstraňte záslepky (**C 1**) ze šroubů rukojeti dvířek (**C 3**).
- Odšroubujte šrouby (**C 2**) rukojeti dvířek (**C 3**).
- Sejměte rukojeť dvířek (**C 3**).

Vrtání otvorů (obr. 8, strana 7)

- Vyrtejte otvor o průměru 25 mm do dekoru a dvířek (**A 1**).
- Odšroubujte šrouby (**B 1**) rámu dekoru (**B 2**).
- Odstraňte rám dekoru (**B 2**).

Montáž zámku (obr. 9, strana 8)

- Vložte nový kryt zámku (**A 1**) na místo.
- Vložte dekor (**B 1**) do rámu dekoru (**B 3**).
- Našroubujte rám dekoru (**B 3**) na dvířka (**B 2**).
- Namontujte zámek dvířek (**C 1**).
- Namontujte západku zámku do skříňky (**D 1**).

Montáž zásuvky (obr. 10, strana 8)

- Zatlačte těsnění (**1**) na rám dekoru (**2**).
- Našroubujte rukojeť dvířek (**4**) na dvířka.
- Zatlačte záslepky (**3**) na šrouby rukojeti dvířek (**4**).
- Zatlačte zásuvku do skříňky.

7 Obsluha

**POZOR! Nebezpečí poškození**

Osvětlení může vyměnit pouze výrobce, zástupce servisu nebo podobně kvalifikovaná osoba, aby se zamezilo nebezpečí.

7.1 Úspora energie

- Minibar otevírejte pouze na nezbytně nutnou dobu.
- Teplé pokrmy nechejte před uložením do přístroje vychladnout.
- Zabráňte vzniku zbytečně nízkých vnitřních teplot.
- Pro optimální spotřebu elektrické energie umístěte police a zásuvky podle jejich polohy při dodání.
- Pravidelně ověřujte, že těsnění dvířek stále řádně sedí.
- Pravidelně čistěte kondenzátor od nečistot a prachu.

7.2 Použití minibaru

Minibar zahájí chlazení po připojení k napájení. Během normálního provozu svítí stavová LED. Pokud dojde k chybě, bliká chybová LED (viz kap. „Odstraňování poruch a závad“ na straně 218).

7.3 Nastavení teploty

Abyste zabránili odpadu z potravin, dbejte následujícího:

- Udržujte výkyvy teploty co nejnižší. Minibar otevírejte pouze na nezbytně nutnou dobu. Potraviny skladujte takovým způsobem, aby vzduch mohl stále dobře cirkulovat.
- Minibar je vybaven funkcí automatické regulace teploty. Vyberte průměr možných hodnot teploty.
- Teplotu nastavte podle množství a typu potravin.

Ve výchozím nastavení je minibar nastaven na teplotu chlazení 7 °C při teplotě okolí 25 °C.

Tlačítkem nastavení (obr. **3** 4, strana 4) můžete nastavit teplotu chlazení na jednu ze tří hodnot: 5 °C, 12 °C a 7 °C.

Tím se teplota změní v pořadí 5 °C ... 12 °C ... 7 °C ... 5 °C atd.

- ▶ Stiskněte tlačítko nastavení (obr. **3** 4, strana 4) a držte je stisknuté po dobu 5 s, dokud nezačne blikat kontrolka (obr. **3** 1, strana 4).
- ▶ Ihned stiskněte znovu tlačítko nastavení (obr. **3** 4, strana 4).
- ✓ Kontrolka (obr. **3** 1, strana 4) ukazuje nastavenou teplotu:
 - 5 °C: kontrolka bliká pětkrát ve třech intervalech
 - 12 °C: kontrolka bliká jednou ve třech intervalech
 - 7 °C: kontrolka bliká třikrát ve třech intervalech



POZNÁMKA

Minibar nastavuje teplotu chlazení automaticky na 7 °C když je připojen k napájecímu zdroji.

8 Odstraňování poruch a závad

Porucha	Možná příčina	Návrh řešení
Přístroj nefunguje, stavová LED nesvítí.	Zásuvka na střídavé napětí není pod napětím.	Zkuste to na jiné zásuvce.
	Vadný síťový adaptér.	Obraťte se na zástupce servisu.
Přístroj nechladí (zástrčka je připojená, svítí stavová LED).	Chladicí systém je vadný.	Obraťte se na zástupce servisu.
Chybová LED blikne jednou za sekundu.	Snímač teploty je vadný.	Obraťte se na zástupce servisu.
Chybová LED blikne dvakrát za sekundu.	Vadný ventilátor.	Obraťte se na zástupce servisu.
Přístroj nechladí dostatečně, stavová LED svítí, chybová LED nesvítí.	Chladicí systém je vadný.	Obraťte se na zástupce servisu.
	Špatné větrání	Zkontrolujte větrání. Zkontrolujte filtr pod přístrojem.

9 Čištění a péče



POZOR! Nebezpečí poškození!

- Nikdy neumývejte chladničku pod tekoucí vodou nebo ve vodě s prostředkem na mytí nádobí.
- Nepoužívejte k čištění ostré čisticí prostředky nebo tvrdé předměty, může dojít k poškození chladničky.

- ▶ Příležitostně očistěte přístroj zevnitř a zvenčí vlhkým hadrem.
- ▶ Zajistěte, aby nebyly větrací a odvzdušňovací otvory přístroje zaprášené a znečištěné. Tím může být teplo vznikající za provozu odváděno a nedojde k poškození přístroje.

- ▶ Příležitostně vyčistěte vstupní filtr.
- ▶ Pokud najdete v odkapávací misce vodu (obr. 2 1, strana 3), zkontrolujte, zda není ucpaný odtokový systém.

**POZOR! Nebezpečí poškození**

Osvětlení může vyměnit pouze výrobce, zástupce servisu nebo podobně kvalifikovaná osoba, aby se zamezilo nebezpečí.

10 Odpovědnost za vady

Na výrobek je poskytována záruka v souladu s platnými zákony. Pokud je výrobek vadný, kontaktujte svého specializovaného prodejce nebo pobočku výrobce ve vaší zemi (viz dometic.com/dealer).

K provedení opravy nebo záručního servisu musíte zaslat následující dokumentaci:

- kopii účtu s datem zakoupení,
- uvedení důvodu reklamace nebo popis vady.

11 Likvidace

- ▶ Obalový materiál likvidujte v odpadu určeném k recyklaci.



Jakmile výrobek zcela vyřadíte z provozu, informujte se v příslušných recyklačních centrech nebo u specializovaného prodejce o příslušných předpisech o likvidaci odpadu.

12 Technické údaje


Aktuální prohlášení o shodě EU pro vaše zařízení naleznete na příslušné stránce produktu na dometic.com nebo kontaktujte přímo výrobce (viz dometic.com/dealer).

Další informace o výrobku jsou dostupné prostřednictvím QR kódu na energetickém štítku (viz obrázky) nebo na adrese eprel.ec.europa.eu.

Chladicí okruh obsahuje médium R134a.

Obsahuje fluorované skleníkové plyny

Hermeticky uzavřeným zařízením

	DM20D	DM20F
Napětí:	220 – 240 V~, 50/60 Hz	
Chladicí výkon:	max. o 20 °C níže než okolní teplota (nastavitelné ve třech krocích: +5 °C, +7 °C, +12 °C)	
Kategorie:	Sklep	
Celkový objem:	20 l	
Energetická třída účinnosti:	G	
Příkon (při okolní teplotě chladničky +25 °C, +12 °C).	0,368 kWh/24 h	
Klimatická třída:	N	
Zamýšlená teplota okolního prostředí:	+16 °C až +32 °C	
Hlukové emise:	15 dB(A)	
Množství chladicího média:	48 g	
Ekvivalent CO ₂ :	0,069 t	
Potenciál skleníkových plynů (GWP):	1430	
Rozměry hlavní zásuvky Š × H × V:	285 × 228,5 × 112 mm	
Rozměry V × Š × H (viz též obr. 11, strana 9):	365 × 384 × 428 mm	365 × 384 × 398 mm
Hmotnost:	12,3 kg	
Zkouška/certifikát:		

A termék mindenkoriszakszerű telepítése, használata és karbantartása érdekében kérjük figyelmesen olvassa el az ebben a termék kézikönyvben található utasításokat, irányelveket és figyelmeztetéseket, valamint mindig tartsa be ezeket. Ezt az útmutatót a termék közelében KELL tartani.

A termék használatba vételével Ön kijelenti hogy figyelmesen elolvasta az összes utasítást, irányelvet és figyelmeztetést, valamint megértette és elfogadja az itt leírt szerződési feltételeket. Ön elfogadja, hogy kizárólag a rendeltetésének megfelelő célra és a jelen termék kézikönyvben leírt útmutatásoknak, irányelveknek és figyelmeztetéseknek, valamint a hatályos törvényeknek és szabályozásoknak megfelelően használja ezt a terméket. Az itt leírt utasítások és figyelmeztetések elolasásának és betartásának elmulasztása saját és mások sérüléséhez, a termék vagy a közelben található más anyagi javak károsodásához vezethet. Ez a termék kézikönyv és a benne található utasítások, irányelvek és figyelmeztetések, valamint a kapcsolódó dokumentációk módosulhatnak és frissülhetnek. Naprakész termékinformációk érdekében kérjük látogasson el a következő honlagra: www.dometic.com.

Tartalom

1	Szimbólumok magyarázata	221
2	Biztonsági útmutatások	222
3	A csomag tartalma	225
4	Rendeltetésszerű használat	225
5	Műszaki leírás	227
6	Beszereles	228
7	Kezelés	230
8	Hibaelhárítás	232
9	Tisztítás és karbantartás	232
10	Szavatosság	233
11	Ártalmatlanítás	233
12	Műszaki adatok	233

1 Szimbólumok magyarázata



VESZÉLY!

Biztonsági megjegyzés olyan veszélyes helyzetre vonatkozóan, amely halált vagy súlyos sérülést okoz, ha nem kerülik el.



FIGYELMEZTETÉS!

Biztonsági megjegyzés olyan veszélyes helyzetre vonatkozóan, amely halált vagy súlyos sérülést okozhat, ha nem kerülik el.

**VIGYÁZAT!**

Biztonsági megjegyzés olyan veszélyes helyzetre vonatkozóan, amely könnyű vagy közepesen súlyos sérülést okozhat, ha nem kerülnek el.

**FIGYELEM!**

Felhívás olyan helyzetre, amely dologi kárt okozhat, ha nem kerülnek el.

**MEGJEGYZÉS**

A termék kezelésére vonatkozó kiegészítő információk.

2 Biztonsági útmutatások

2.1 Alapvető biztonság



FIGYELMEZTETÉS! Ezeknek a figyelmeztetéseknek a figyelmen kívül hagyása súlyos sérüléshez vagy halálhoz vezethet.

Áramütés miatti veszély

- Gondoskodjon róla, hogy a minibárt egy szakképzett technikus szerelje be a Dometic telepítési kézikönyv alapján.
- Ha az szemmel láthatólag megsérült, akkor ne használja a minibárt.
- Ha a minibár csatlakozókábele megsérült, akkor a veszélyek elkerülése érdekében a gyártóval, a szervizzel vagy egy hasonlóan képzett szakemberrel kell kicseréltetni ezt.
- Javításokat csak szakemberek végezhetnek a minibáron. A szakszerűtlen javítások jelentős veszélyeket okozhatnak.

Tűzveszély

- A hűtőkörben található hűtőközeg gyúlékony.
A hűtőkör sérülése esetén:
 - Kapcsolja ki a minibárt.
 - Kerülje a nyílt lángot és a gyújtószikrákat.
 - Szellőztesse ki jól a helyiséget.

Robbanásveszély

- Tilos a minibárban robbanékony anyagokat, például hajtógázt tartalmazó permetpalackokat tárolni.

Egészségkárosodás veszélye

- A minibárt 8 év feletti gyermekek, valamint korlátozott fizikai, érzékelési és mentális képességű, illetve megfelelő tapasztalattal és tudással nem rendelkező személyek csak felügyelet mellett, illetve a minibár biztonságos használatát és az abból eredő veszélyeket megértve használhatják.
- A minibárral gyermekek nem játszhatnak.
- A tisztítást és a felhasználói karbantartást felügyelet nélküli gyermekek nem végezhetik.
- A minibár ki- és berakodása 3 és 8 év közötti gyermekek számára engedélyezett.



VIGYÁZAT! Ezeknek a felhívásoknak a figyelmen kívül hagyása könnyű vagy mérsékelt sérüléshez vezethet.

Zúzódsveszély

- Ne nyúljon a zsanérok közé.

Egészségkárosodás veszélye

- Élelmiszert csak eredeti csomagolásban vagy megfelelő tárolókban szabad tárolni.



FIGYELEM! Károsodás veszélye

- Hasonlítsa össze a típustáblán szereplő feszültségadatokat a rendelkezésre álló energiaellátással.
- A minibár nem alkalmas maró hatású vagy oldószert tartalmazó anyagok tárolására.
- A hűtőkészülék szigetelése gyúlékony ciklopentánt tartalmaz, amely speciális ártalmatlanítási eljárásokat igényel. Élettartama végén megfelelő hulladékkezelő központban adja le a hűtőkészüléket.
- Mindig tartsa tisztán a lefolyónyílást.
- Semmilyen esetben ne nyissa ki a hűtőkört.
- Csak függőleges helyzetben mozgassa a minibárt.

2.2 A minibár biztonságos üzemeltetése



VESZÉLY! Ezeknek a figyelmeztetéseknek a figyelmen kívül hagyása súlyos vagy halálos sérüléshez vezet.

Áramütés miatti veszély

- Soha ne fogjon meg pusztá kézzel csupasz vezetékeket.

**VIGYÁZAT! Ezeknek a felhívásoknak a figyelmen kívül hagyása könnyű vagy mérsékelt sérüléshez vezethet.****Áramütés miatti veszély**

- A minibár üzembe helyezése előtt ügyeljen arra, hogy a vezeték és a dugasz száraz legyen.

Egészségkárosodás veszélye

- Ügyeljen arra, hogy csak olyan tárgyak, illetve áruk legyenek a minibárban, amelyek lehűthetők a kiválasztott hőmérsékletre.
- Élelmiszert csak eredeti csomagolásban vagy megfelelő tárolóedényekben szabad tárolni.
- Ha hosszabb időszakokra kinyitja az ajtót, azzal jelentősen megnövekedhet a hőmérséklet a minibár rekeszeiben.
- Tisztítsa meg rendszeresen az élelmiszerral érintkező felületeket és a hozzáférhető lefolyórendszereket.
- Ha hosszú időre üresen hagyja a minibárt:
 - Kapcsolja ki a minibárt.
 - Olvassa le a minibárt.
 - Tisztítsa meg és szárítsa meg a minibárt.
 - A minibár belsejében történő penészképződés elkerülése érdekében hagyja nyitva az ajtót.

**FIGYELEM! Károsodás veszélye**

- A nehéz tárgyakat, pl. palackokat, vagy dobozokat kizárólag a minibár ajtajában, vagy az alsó rácson tárolja.
- Ne használjon elektromos készülékeket a minibár belsejében, kivéve, ha ezeket az elektromos készülékeket a gyártó erre a célra javasolja.
- Ne helyezze a készüléket nyílt láng vagy más hőforrás közelébe (fűtés, erős napsugárzás, gáztűzhely stb.).
- Győződjön meg arról, hogy a szellőzőnyílások nincsenek lefedve.
- Soha ne merítse vízbe a minibárt.
- Védje a minibárt és a kábeleket a hőtől és a nedvességtől.
- Ügyeljen arra, hogy az élelmiszerek ne érjenek hozzá a hűtőtér falaihoz.

**MEGJEGYZÉS**

- +15 °C és +25 °C közötti környezeti hőmérséklet esetén válassza az átlagos hőmérséklet beállítását.

3 A csomag tartalma

A következő fő alternatívák érhetők el:

- DM20D minibár ajtópanellel, zár nélkül
- DM20D minibár ajtópanellel, zárral
- DM20F minibár ajtópanel nélkül, zár nélkül
- DM20F minibár ajtópanel nélkül, zárral

Mennyiség	Leírás	
1	Minibár	
1	Váltakozó áramú csatlakozókábel	
2	Csavar \varnothing 4 x 45 mm (felszerelés)	
2	Csavar \varnothing 4 x 25 mm (első lábak felszerelése)	
2	Csavar M4 x 45 mm (fogantyú felszerelése)	
2	Dugó (felszerelés)	
1	Hordozófogantyú	Csak a DM20D modellnél
2	Dugó (Fogantyú felszerelése)	Csak a DM20D modellnél
2	Dugó (Fa panel)	Csak DM20F fa verziónál
1	Zár dekor (Fa panel)	Csak DM20F fa verziónál, zárral
2	Kód	Csak zárral rendelkező verziónál
1	Szerelési és kezelési kézikönyv	

4 Rendeltetészerű használat

A hűtőkészülék (más néven minibár) zárt épületekben történő használatra való, ilyenek például:

- Üzletek, irodák és más munkaterületek személyzeti konyhái
- Mezőgazdasági szektor
- Hotelek, motelek és egyéb szállások
- Vendégfogadó létesítmények
- Catering vagy hasonló nagykereskedelmi vállalkozások

A minibár lakóautókban vagy lakókocsikban való használatra nem alkalmas.

A minibárt rendeltetésének megfelelően egy szekrénybe vagy fülkébe kell beszerezni.

A minibár kizárólag zárt tárolóedényekben lévő ételek és italok tárolására és hűtésére alkalmas.

A minibár friss élelmiszerek, gyógyszerek tárolására, vagy élelmiszerek fagyasztására nem alkalmas.

Ez a minibár az itt leírt utasításoknak megfelelő rendeltetésszerű használatra alkalmas.

Ez a kézikönyv olyan információkat nyújt, amelyek a minibár szakszerű telepítéséhez és/vagy üzemeltetéséhez szükségesek. A hibás telepítés és/vagy a szakszerűtlen üzemeltetés vagy karbantartás elégtelen teljesítményhez és potenciálisan meghibásodáshoz vezethet.

A gyártó nem vállal felelősséget a termék olyan károsodásáért, vagy sérülésekért, amelyek a következőkre vezethetők vissza:

- Hibás összeszerelés vagy csatlakoztatás, ideértve a túlfeszültséget is
- Helytelen karbantartás, vagy a gyártó által szállított eredeti cserealkatrészekről eltérő cserealkatrészek használata
- a termék kifejezett gyártói engedély nélküli módosítása
- Az útmutatóban leírt céloktól eltérő felhasználás

A Dometic fenntartja a termék megjelenésének és specifikációjának módosítására vonatkozó jogát.

5 Műszaki leírás

A minibár rendelkezik egy 12 doboz kapacitású fiókkal (plusz rúd alakú csemegék).

A kiszállításkor a mellékelt polcok és rekeszek úgy vannak pozícionálva, hogy a készüléket energiahatékony módon lehessen üzemeltetni.

A DM20D minibár antracit panellel és húzófogantyúval van ellátva.

A DM20F minibár panel nélkül kerül kiszállításra és elő van készítve a hotel saját ajtó-dekorjának felszereléséhez.

Hűtőrendszere kopó alkatrészeket nem tartalmazó Peltier hűtőrendszer.

Opcionálisan zár is kapható.

5.1 A készülék leírása

Első oldal

Szám, lásd: 1. ábra, 3. oldal	Leírás
1	Zár (opcionális)
2	Fogantyú (Csak a DM20D modellnél)
3	Ajtópanel (Csak a DM20D modellnél)

Hátsó oldal

Szám, lásd: 2. ábra, 3. oldal	Leírás
1	Cseptálca
2	Hálózati adapter

Vezérlőpanel (a készülékben)

Szám, lásd: 3. ábra, 4. oldal	Leírás
1	Lámpa
2	Hiba LED
3	Ellenőrző LED
4	Beállítás gomb

Fő fiók

Szám, lásd: 4. ábra, 4. oldal	Leírás
1	Osztó
2	Palacktartó ujj

6 Beszerelés



VIGYÁZAT! Egészségkárosodás veszélye

A készülék instabilitása miatti kockázatok elkerülése érdekében az utasításoknak megfelelően rögzíteni kell azt.

6.1 Megjegyzések a bútorba szereléshez

A minibárt négy módon szerelheti be a bútorba. Válassza ki az Ön által kedvelt alternatívát (5. ábra, 5. oldal).

Vegye figyelembe a következőket:

- A kivágandó Ma x Sz x Mé méretek:
 - **DM20D**: 385 x 404 x 428 mm
 - **DM20F**: 385 x 404 x 426 + d mm
d a hotel saját dekorjának vastagsága
- A minibár hátoldala és a bútorfal közötti hézag legyen körülbelül 10 mm.
- A kiválasztott alternatívához szellőzőnyílásokat kell készíteni (5. ábra, 5. oldal).
- A levegő bemeneti csőbe beáramló levegőt nem melegítheti fel semmilyen hőforrás (fűtőtest, közvetlen napsugárzás, gáztűzhely, stb.).

- Rögzítse a hűtőszekrényt megfelelő csavarokkal (**6**. ábra 1, és 2, 6. oldal).

6.2 A minibár elektromos csatlakoztatása

- Illessze be a váltakozó áramú csatlakozókábelt a váltakozó áramú aljzatba, és csatlakoztassa a váltakozó áramú hálózathoz.
- ✓ Az állapotjelző LED világít.
- ✓ A minibár megkezdi a belső tér hűtését.

6.3 A hotel saját ajtódekorjának felszerelése (csak a DM20F modellnél)

A hotel saját ajtódekorja a következő feltételeknek kell hogy megfeleljen:

- Maximális súly: 2 kg
- Maximális vastagság: 14 mm
- Négy csavarral rögzítse a dekort.

6.4 A zár felszerelése (csak zárral rendelkező verzióknál)

- Készítsen 35 mm átmérőjű furatokat a dekorba.
- A zár dekorral együtt szerelje fel a zárat.

6.5 A zár felszerelése (csak zárral nem rendelkező verzióknál)

A fiók kiserelése (**7**. ábra, 7. oldal)

- Teljesen nyissa ki a fiókot.
- Nyomja meg a sínzárát (**A 1**).
- Húzza ki a fiókot a szekrényből.
- Távolítsa el a tömítést (**B 1**).
- Távolítsa el a zár borítását (**B 2**).
- Távolítsa el a dugókat (**C 1**) az ajtókilincs csavarjairól (**C 3**).
- Tekerje ki a csavarokat (**C 2**) az ajtókilincsből (**C 3**).
- Távolítsa el az ajtókilincset (**C 3**).

Furatok elkészítése (8. ábra, 7. oldal)

- Készítsen egy 25 mm átmérőjű furatot az ajtódekoron keresztül (A 1).
- Tekerje ki a csavarokat (B 1) a dekorkeretből (B 2).
- Távolítsa el a dekorkeretet (B 2).

A zár felszerelése (9. ábra, 8. oldal)

- Helyezze a helyére az új zár borítást (A 1).
- Helyezze be a dekort (B 1) a dekorkeretbe (B 3).
- Csavarozza rá a dekorkeretet (B 3) az ajtóra (B 2).
- Szerelje fel az ajtózárat (C 1).
- Szerelje be az zárrögzítőt a szekrénybe (D 1).

A fiók beszerelése (10. ábra, 8. oldal)

- Nyomja rá a tömítést (1) a dekorkeretre (2).
- Csavarozza rá az ajtókilincset (4) az ajtóra.
- Nyomja rá a dugókat (3) az ajtókilincs csavarjaira (4).
- Tolja be a fiókot a szekrénybe.

7 Kezelés



FIGYELEM! Károsodás veszélye

A veszélyek elkerülése érdekében csak a gyártó, a szerviz vagy hasonló képesítéssel rendelkező szolgáltató cserélheti ki az izzót.

7.1 Energiatakarékosság

- A minibár ajtaját csak olyan gyakran és annyi ideig nyissa ki ahányszor és ameddig ez feltétlenül szükséges.
- Hagyja lehűlni a meleg ételeket, mielőtt azokat hűtés céljára a készülékbe helyezné.
- Kerülje a szükségtelenül alacsony hőmérsékleti beállításokat.
- Az optimális energiafogyasztás érdekében a polcokat és a fiókokat a kiszállítási helyzetükbe pozícionálja.

- Rendszeresen ellenőrizze, hogy az ajtó megfelelően illeszkedik-e.
- Rendszeres időközönként tisztítsa meg a kondenzátort a portól és szennyeződésektől.

7.2 A minibár használata

Az áramellátáshoz történő csatlakoztatáskor a minibár megkezdi a hűtést. Normál üzem során az állapot LED világít. Hiba esetén a hiba LED villog (lásd: „Hibaelhárítás” fejelet, 232. oldal).

7.3 A hőmérséklet beállítása

Az ételmeiszterpazarlás elkerülése érdekében vegye figyelembe a következőket:

- Tartsa a lehető legalacsonyabb szinten a hőmérséklet ingadozását. A minibár ajtaját csak olyan gyakran és annyi ideig nyissa ki ahányszor és ameddig ez feltétlenül szükséges. Úgy rendezze el az ételmeisztert, hogy a levegő jól tudjon áramolni.
- A minibár automatikus hőmérséklet-szabályozó funkcióval van ellátva. Válassza ki a lehetséges hőmérsékleti értékek közül az átlagot.
- A hőmérsékletet az ételmeiszter mennyiségéhez és típusához állítsa be.

A minibár alapértelmezett hűtési hőmérséklet beállítása 7 °C 25 °C környezeti hőmérsékleten.

A hűtési hőmérséklet a következő három érték közül történő kiválasztásához használja a beállítás gombot (3. ábra 4, 4. oldal): 5 °C, 12 °C és 7 °C.

A hőmérséklet a következő sorrendben módosul: 5 °C ... 12 °C ... 7 °C ... 5 °C stb.

- ▶ Nyomja le a beállítás gombot (3. ábra 4, 4. oldal) és tartsa lenyomva 5 másodpercig, amíg a lámpa (3. ábra 1, 4. oldal) villogni nem kezd.
- ▶ Azonnal nyomja le ismét a beállítás gombot (3. ábra 4, 4. oldal).
- ✓ A lámpa (3. ábra 1, 4. oldal) a beállítási hőmérsékletet jelzi:
 - 5 °C: a lámpa három megszakítással ötször felvillan
 - 12 °C: a lámpa három megszakítással egyszer felvillan
 - 7 °C: a lámpa három megszakítással háromszor felvillan



MEGJEGYZÉS

Ha csatlakoztatva van az áramforráshoz, akkor a minibár automatikusan beállítja a hűtési hőmérsékletet 7 °C-ra.

8 Hibaelhárítás

Hiba	Lehetséges ok	Megoldási javaslat
A készülék nem működik, az állapotjelző LED nem világít.	A váltakozó áramú aljzatban nincs feszültség.	Próbáljon egy másik aljzatot használni.
	A hálózati adapter meghibásodott.	Lépjen kapcsolatba a szervizzel.
A készülék nem hűt (a dugócsatlakozó be van dugva, az állapotjelző LED világít).	Meghibásodott a hűtőelem.	Lépjen kapcsolatba a szervizzel.
A hiba LED másodpercenként egyszer felvilágul.	Meghibásodott a hőmérséklet érzékelő.	Lépjen kapcsolatba a szervizzel.
A hiba LED másodpercenként kétszer felvilágul.	A ventilátor meghibásodott.	Lépjen kapcsolatba a szervizzel.
A készülék nem hűt megfelelően, az állapotjelző LED világít, a hiba LED nem világít.	Meghibásodott a hűtőelem.	Lépjen kapcsolatba a szervizzel.
	Elégtelen szellőzés	Ellenőrizze a szellőzést. Tisztítsa ki a készülék alatt lévő szűrőt.

9 Tisztítás és karbantartás



FIGYELEM! Károsodás veszélye!

- Soha ne tisztítsa a hűtőkészüléket folyó víz alatt vagy mosogatóvízben.
- Ne használjon a tisztításhoz éles tisztítóeszközöket vagy kemény tárgyakat, mert azok a hűtőkészüléket megsérthetik.

- Alkalmanként tisztítsa meg a készüléket kívül-belül nedves ruhával.
- Biztosítsa, hogy a készülék szellőztető és légtelenítő nyílásai por- és szennyeződésmentesek legyenek, mert így az üzem közben létrejövő hő távozik és a készülék nem károsodik.

- ▶ Alkalmanként tisztítsa ki a bementi szűrőt.
- ▶ Ha vizet talál a cseptálcában (2. ábra 1, 3. oldal) ellenőrizze, hogy a leeresztő-rendszer nem záródott-e el.



FIGYELEM! Károsodás veszélye

A veszélyek elkerülése érdekében csak a gyártó, a szerviz vagy hasonló képesítéssel rendelkező szolgáltató cserélheti ki az izzót.

10 Szavatosság

A termékre a törvény szerinti szavatossági időszak érvényes. A termék meghibásodása esetén forduljon az illetékes szakkereskedőhöz vagy gyártói lerakathoz (lásd dometic.com/dealer).

A javításhoz, illetve a szavatossági adminisztrációhoz a következő dokumentumokat kell mellékelnie:

- a számla vásárlási dátummal rendelkező másolatát,
- a reklamáció okát vagy a hibát tartalmazó leírást.

11 Ártalmatlanítás

- ▶ A csomagolóanyagot lehetőleg a megfelelő újrahasznosítható hulladék közé tegye.



Ha a terméket véglegesen kivonja a forgalomból, kérjük, tájékozódjon a legközelebbi hulladékártalmatlanító központnál vagy a szakkereskedőjénél az idevonatkozó ártalmatlanítási előírásokkal kapcsolatban.

12 Műszaki adatok



Készüléke aktuális EU megfelelőségi nyilatkozatát a dometic.com honlap megfelelő termékoldalán találhatja meg, vagy vegye fel közvetlenül a kapcsolatot a gyártóval (lásd dometic.com/dealer).

További termékinformációkat az ábrákon az energiacímkén található QR kód (lásd az ábrán) beolvasásával, vagy az eprel.ec.europa.eu honlapon kaphat.

A hűtőkör R134a hűtőközeget tartalmaz.

Fluorozott üvegházgázokat tartalmaz

Hermetikusan zárt berendezés

	DM20D	DM20F
Feszültség:	220 – 240 V~, 50/60 Hz	
Hűtési teljesítmény:	a környezetnél legfeljebb 20 °C-kal alacsonyabb hőmérsékletig (három lépésben állítható: +5 °C, +7 °C, +12 °C)	
Kategória:	Hűtőkamra	
Teljes térfogat:	20 l	
Energiahatékonysági osztály:	G	
Teljesítményfelvétel (+25 °C, +12 °C környezeti hőmérséklet esetén):	0,368 kWh/24 h	
Klímaosztály:	N	
Megcélzott használati környezeti hőmérséklet:	+16 °C és +32 °C között	
Zajkibocsátás:	15 dB(A)	
Hűtőközeg mennyisége:	48 g	
CO ₂ egyenérték:	0,069 t	
Üvegház-potenciál (GWP):	1430	
Fő fiók méretei (szélesség x mélység x magasság):	285 x 228,5 x max 112 mm	
Méreték (szélesség x magasság x mélység) (lásd itt is: 11. ábra, 9. oldal):	365 x 384 x max 428 mm	365 x 384 x max 398 mm
Súly:	12,3 kg	
Vizsgálat/tanúsítvány:	 	

Mobile living made easy.



dometic.com

**YOUR LOCAL
DEALER**

dometic.com/dealer

**YOUR LOCAL
SUPPORT**

dometic.com/contact

**YOUR LOCAL
SALES OFFICE**

dometic.com/sales-offices

A complete list of Dometic companies, which comprise the Dometic Group, can be found in the public filings of:
DOMETIC GROUP AB Hemvärnsgatan 15 SE-17154 Solna Sweden